



Modular ice maker - Granular system
Daily production up to 1119 kg

Hotel	████████████████████
Restaurant	████████████████████
Fast food	████████████████████
Bar	████████████████████
Disco	████████████████████
Fish market	████████████████████
Supermarket	████████████████████
Medical & SPA	████████████████████
Industry	████████████████████

► Position n°



► Features & Plus

- Granular ice - 80-82% dry
- 1l (water) - 1kg (ice) - only Air cooled
- AISI 304 SS Scotch Brite finish
- Tropical class +43°C
- Specific volume 1 m³ = 550 kg of ice
- AISI 304 SS evaporator
- Air or water cooling system
- Easy cleanable internal rounded surfaces
- Dust-proof water basin
- RoHS Free
- Electromechanical operation
- ON-OFF rocker switch
- Rotation sensor on low speed shaft
- Automatic water charge
- Standard and special voltages
- Frame in INOX



AISI 304 SS Scotch Brite finish



AISI 304 SS evaporator



Dust-proof water basin



Easy cleanable internal rounded surfaces

► Usable Bins

- Bin 550V DS
- Double Roller Bin 500
- Double Roller Bin 1200

► Prod. 24h

Temp. (°C)	Air temp.		Water temp.		Kg	Lbs
	10° C	50° F	7° C	45° F		
10° C	50° F	7° C	45° F	1119	2467	
21° C	70° F	15° C	60° F	1000	2205	

2 Years Warranty
subject to limitations

► Certifications available for this model



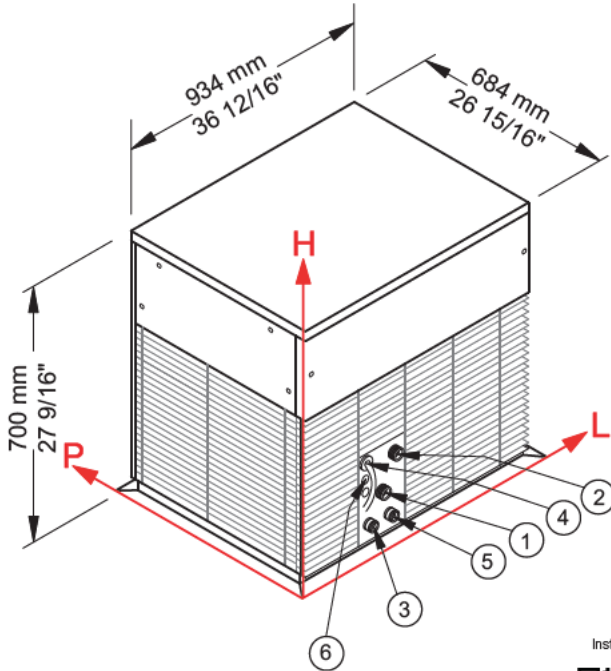


Ice Flakes

G 1000



Modular ice maker - Granular system Daily production up to 1119 kg



Installation



► Working conditions

- Location: Indoor

	Min	Max
Ambient temperature	+10° C / +50° F	+43° C / 110° F
Water temperature	+3° C / +37° F	+32° C / +90° F
Voltage	-10%	+10%
Water inlet pressure	1bar (14 psi)	6bar (84 psi)

► Performances

Air temperature	Water temperature	7° C	45° F	15° C	60° F	21° C	70° F
		10° C	1119 kg				
50° F		2467 lbs					
21° C			1000 kg				
70° F				2205 lbs			
32° C					800 kg		
90° F						1764 lbs	

► Connections

All measures are referred to the down-left corner (L-H-Ø)

- ① Water in.: 357 mm / 14 1/16" - 115 mm / 4 8/16" - 3/4"
- ② Cond. water in.: 385 mm / 15 3/16" - 241 mm / 9 8/16" - 3/4"
- ③ Water out.: 336 mm / 13 4/16" - 60 mm / 2 6/16" - 24 mm / 15/16"
- ④ Electrical connections: 322 mm / 12 11/16" - 257 mm / 10 2/16"
- ⑤ Cond. water out.: 381 mm / 15" - 60 mm / 2 6/16" - 24 mm / 15/16"
- ⑥ Remote connections.: 322 mm / 12 11/16" - 216 mm / 8 8/16"
- ② ④ Only for water cooling systems

► Technical information

Production in 24h	1000 kg / 2205 lbs	Sizes (L-P-H mm)	934 - 684 - 700
Cooling system	A - W	(L-P-H in)	36 12/16 - 26 15/16 - 27 9/16
Refrigerant	R452A	Sizes with pack (L-P-H mm)	995 - 765 - 890
Standard voltage	400-415 V ~ 3N 50 Hz	(L-P-H in)	39 3/16 - 30 2/16 - 35 1/16
Average power consumption	3200 W	Net weight	177 kg / 390 lbs
Fuse	16 A	Gross weight	207 kg / 456 lbs
Water consumption	A: 1 l/kg - 12,0 gal/100 lbs	Finish	AISI 304 stainless steel, scotch brite
	W: 5,3 l/kg - 63,5 gal/100 lbs		

All the technical information need to be considered at the following conditions:
Ambient temperature +21° C
Water temperature +15° C
Average power consumption at +43° C (standard voltage)

Models and specifications are subject to change without notice

Rev. 00 - Issued March 2021



www.bremaice.it
info@bremaicegroup.it

We are Brema

