



Modular ice maker - Pebble system Daily production up to 486 kg

| | |
|---------------|----------------------|
| Hotel | ████████████████████ |
| Restaurant | ████████████████████ |
| Fast food | ████████████████████ |
| Bar | ████████████████████ |
| Disco | ████████████████████ |
| Fish market | ████████████████████ |
| Supermarket | ████████████████████ |
| Medical & SPA | ████████████████████ |
| Industry | ████████████████████ |

► Position n°



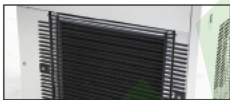
► Features & Plus

- Pebble ice - 91% dry
- 1l (water) - 1kg (ice) - only Air cooled
- AISI 304 SS Scotch Brite finish
- Tropical class +43°C
- Specific volume 1 m³ = 550 kg of ice
- Removable and cleanable air filter
- AISI 304 SS evaporator
- Air or water cooling system
- Easy cleanable internal rounded surfaces
- Dust-proof water basin
- RoHS Free
- Electromechanical operation
- ON-OFF rocker switch
- Automatic water charge
- Rotation sensor on low speed shaft
- Standard and special voltages
- Frame in INOX



► Usable Bins

- Bin 240PE
- Bin 110
- Bin 200
- Bin 350
- Bin 550V DS
- Roller Bin 100
- Double Roller Bin 100
- Double Roller Bin 500
- Double Roller Bin 1200



Removable and cleanable air filter



AISI 304 SS evaporator



Dust-proof water basin



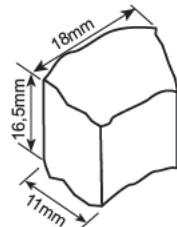
Rotation sensor on low speed shaft



Frame in INOX

► Available pebble size

drawing for reference only



► Prod. 24h

| Air temp. | Water temp. | | Kg | Lbs |
|-----------|-------------|-------|-----|------|
| | 10° C | 50° F | | |
| 10° C | 50° F | 7° C | 486 | 1071 |
| 21° C | 70° F | 15° C | 440 | 970 |

2 Years Warranty
subject to limitations

► Certifications available for this model

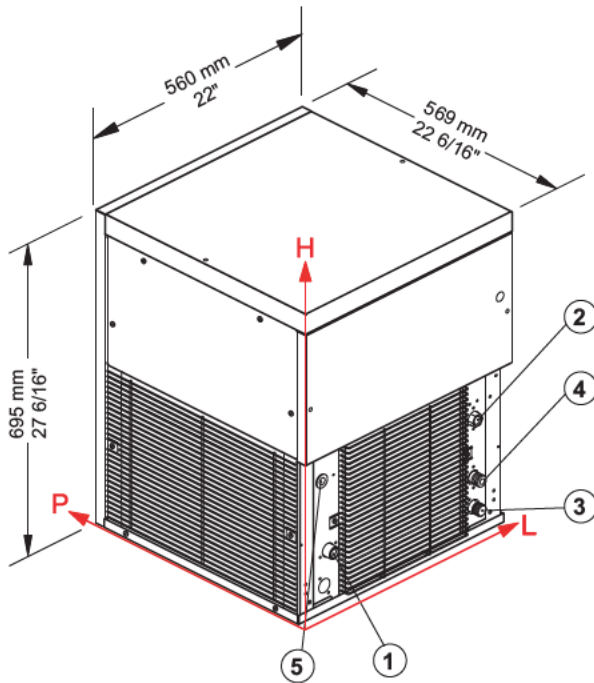




Ice Pebbles

TM 450

Modular ice maker - Pebble system Daily production up to 486 kg



► Working conditions

- Location: Indoor

| | Min | Max |
|----------------------|-----------------|-----------------|
| Ambient temperature | +10° C / +50° F | +43° C / 110° F |
| Water temperature | +3° C / +37° F | +32° C / +90° F |
| Voltage | -10% | +10% |
| Water inlet pressure | 1bar (14 psi) | 6bar (84 psi) |

► Performances

| Air temperature | Water temperature | Water temperature | | | | | |
|-----------------|-------------------|-------------------|--------|---------|--------|---------|-------|
| | | 7° C | 45° F | 15° C | 60° F | 21° C | 70° F |
| 10° C | 486 kg | | | | | | |
| 50° F | 1071 lbs | | | | | | |
| 21° C | | | 440 kg | | | | |
| 70° F | | | | 970 lbs | | | |
| 32° C | | | | | 366 kg | | |
| 90° F | | | | | | 807 lbs | |

► Connections

All measures are referred to the down-left corner (L-H-Ø)

- ① Water in.: 80,5 mm / 3 3/16" - 120 mm / 4 12/16" - 3/4"
- ② Cond. water in.: 479,5 mm / 18 14/16" - 260 mm / 10 4/16" - 3/4"
- ③ Water out.: 479,5 mm / 18 14/16" - 65 mm / 2 9/16" - 24 mm / 15/16"
- ④ Cond. water out.: 479,5 mm / 18 14/16" - 130 mm / 5 2/16" - 24 mm / 8/16"
- ⑤ Electrical connections: 67,5 mm / 2 11/16" - 290 mm / 11 7/16"
- ② ④ Only for water cooling systems

► Technical information

| | |
|---------------------------|--|
| Production in 24h | 440 kg / 970 lbs |
| Cooling system | A - W |
| Approximate pebble size | 16,5 x 18 x 11 |
| Refrigerant | R452A |
| Standard voltage | 220-240 V ~ 50 Hz |
| Average power consumption | 1700 W |
| Fuse | 16 A |
| Finish | AISI 304 stainless steel, scotch brite |

| | |
|----------------------------|--|
| Water consumption | A: 1 l/kg - 12,0 gal/100 lbs W: 5,8 l/kg - 69,5 gal/100 lbs |
| Sizes (L-P-H mm) | 560 - 569 - 695 |
| (L-P-H in) | 22 - 22 6/16 - 27 6/16 |
| Sizes with pack (L-P-H mm) | 645 - 645 - 910 |
| (L-P-H in) | 25 6/16 - 25 6/16 - 35 13/16 |
| Net weight | 102 kg / 225 lbs |
| Gross weight | 113 kg / 249 lbs |

All the technical information need to be considered at the following conditions:
Ambient temperature +21° C
Water temperature +15° C
Average power consumption at +43° C (standard voltage)

Models and specifications are subject to change without notice

Rev. 00 - Issued March 2021



www.bremaice.it
info@bremaicegroup.it

We are Brema

