



**Modular ice maker - Vertical evaporator system  
Daily production up to 205 kg**

Hotel	■	■	■	■	■	■	■	■	■
Restaurant	■	■	■	■	■	■	■	■	■
Fast food	■	■	■	■	■	■	■	■	■
Bar	■	■	■	■	■	■	■	■	■
Disco	■	■	■	■	■	■	■	■	■
Fish market	■	■	■	■	■	■	■	■	■
Supermarket	■	■	■	■	■	■	■	■	■
Medical & SPA	■	■	■	■	■	■	■	■	■
Industry	■	■	■	■	■	■	■	■	■

**► Position n°**



**► Features & Plus**

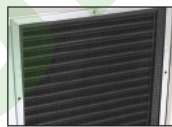
- Single and crystal cube
- AISI 304 SS Scotch Brite finish
- Tropical class +43°C
- Removable and cleanable air filter
- Air or water cooling system
- Easy cleanable internal rounded surface
- RoHS Free
- Electromechanical operation
- ON-OFF rocker switch
- Automatic washing system
- Standard and special voltages



Single and crystal cube



AISI 304 SS Scotch Brite finish

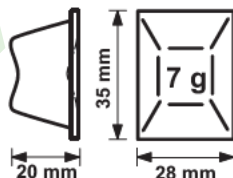


Removable and cleanable air filter

**► Usable Bins**

- Bin 240PE
- Bin 200
- Bin 350
- Double Roller Bin 100

**► Available ice cube size**



**► Prod. 24h**

Air temp.	Water temp.	Kg	Lbs
10° C / 50° F	7° C / 45° F	205	452
21° C / 70° F	15° C / 60° F	200	441

**2 Years Warranty**  
subject to limitations

**► Certifications available for this model**



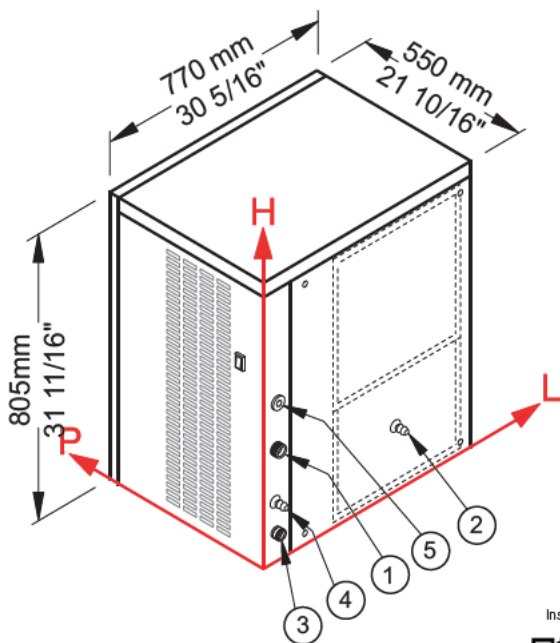


Fast Ice

# VM 500



## Modular ice maker - Vertical evaporator system Daily production up to 205 kg



Installation



### ► Working conditions

- Location: Indoor

	Min	Max
Ambient temperature	+10° C / +50° F	+43° C / 110° F
Water temperature	+3° C / +37° F	+32° C / +90° F
Voltage	-10%	+10%
Water inlet pressure	1bar (14 psi)	6bar (84 psi)

### ► Performances

Air temperature	Water temperature	Water temperature					
		7° C	45° F	15° C	60° F	21° C	70° F
10° C	205 kg						
50° F		452 lbs					
21° C			200 kg				
70° F				441 lbs			
32° C					163 kg		
90° F						359 lbs	

### ► Connections

All measures are referred to the down-left corner (L-H-Ø)

- ① Water in.: 38 mm / 1 8/16" - 252 mm / 9 15/16" - 3/4"
- ③ Water out.: 32 mm / 1 4/16" - 40 mm / 1 9/16" - 24 mm / 15/16"
- ⑤ Electrical connections: 33 mm / 1 5/16" - 323 mm / 12 11/16"

- ② Cond. water in.: 375 mm / 14 12/16" - 115 mm / 4 8/16" - 12 mm / 8/16"
- ④ Cond. water out.: 28 mm / 1 2/16" - 93 mm / 3 11/16" - 12 mm / 8/16"
- ② ④ Only water cooling systems

### ► Technical information

Production in 24h	200 kg / 441 lbs
Cooling system	A - W
Kind of cube	7g
Refrigerant	R452A
Standard voltage	220-240 V ~ 50 Hz
Average power consumption	1600 W
Fuse	20 A
Finish	AISI 304 stainless steel, scotch brite

Water consumption	A: 2,4 l/kg - 28,7 gal/100 lbs
	W: 13 l/kg - 155,8 gal/100 lbs
Sizes (L-P-H mm)	770 - 550 - 805
(L-P-H in)	30 5/16 - 21 10/16 - 31 11/16
Sizes with pack (L-P-H mm)	815 - 615 - 980
(L-P-H in)	32 1/16 - 24 3/16 - 38 9/16
Net weight	90 kg / 198 lbs
Gross weight	101 kg / 223 lbs

All the technical information need to be considered at the following conditions:

- Standard Cube (7 g)
- Ambient temperature +21° C
- Water temperature +15° C
- Average power consumption at +43° C (standard voltage)

Models and specifications are subject to change without notice

Rev. 00 - Issued March 2021



www.bremaice.it  
info@bremaice.it

We are Brema

