

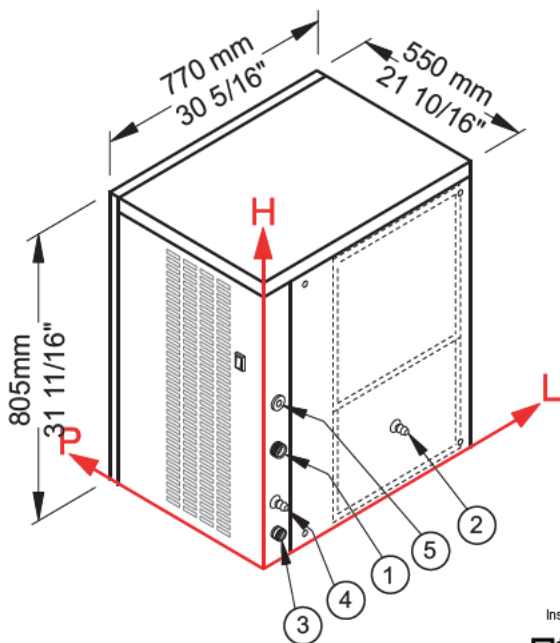


Fast Ice

VM 900



Modular ice maker - Vertical evaporator system Daily production up to 414 kg



Installation



► Working conditions

- Location: Indoor

	Min	Max
Ambient temperature	+10° C / +50° F	+43° C / 110° F
Water temperature	+3° C / +37° F	+32° C / +90° F
Voltage	-10%	+10%
Water inlet pressure	1bar (14 psi)	6bar (84 psi)

► Performances

	Water temperature						
		7° C	45° F	15° C	60° F	21° C	70° F
Air temperature	10° C	414 kg					
	50° F		913 lbs				
	21° C			400 kg			
	70° F				882 lbs		
	32° C					334 kg	
	90° F						736 lbs

► Connections

All measures are referred to the down-left corner (L-H-Ø)

- ① Water in.: 38 mm / 1 8/16" - 252 mm / 9 15/16" - 3/4"
- ③ Water out.: 32 mm / 1 4/16" - 40 mm / 1 9/16" - 24 mm / 15/16"
- ⑤ Electrical connections: 33 mm / 1 5/16" - 323 mm / 12 11/16"

- ② Cond. water in.: 375 mm / 14 12/16" - 115 mm / 4 8/16" - 12 mm / 8/16"
- ④ Cond. water out.: 28 mm / 1 2/16" - 93 mm / 3 11/16" - 12 mm / 8/16"
- ② ④ Only water cooling systems

► Technical information

Production in 24h	400 kg / 882 lbs
Cooling system	A - W
Kind of cube	7g
Refrigerant	R452A
Standard voltage	220-240 V ~ 50 Hz
Average power consumption	3000 W
Fuse	32 A
Finish	AISI 304 stainless steel, scotch brite

Water consumption	A: 1,8 l/kg - 21,5 gal/100 lbs
	W: 13 l/kg - 155,8 gal/100 lbs
Sizes (L-P-H mm)	770 - 550 - 805
(L-P-H in)	30 5/16 - 21 10/16 - 31 11/16
Sizes with pack (L-P-H mm)	815 - 615 - 980
(L-P-H in)	32 1/16 - 24 3/16 - 38 9/16
Net weight	113 kg / 249 lbs
Gross weight	124 kg / 273 lbs

All the technical information need to be considered at the following conditions:

- Standard Cube (7 g)
- Ambient temperature +21° C
- Water temperature +15° C
- Average power consumption at +43° C (standard voltage)

Models and specifications are subject to change without notice

Rev. 00 - Issued March 2021



www.bremaice.it
info@bremaice.it

We are Brema

