



SELF-CONTAINED CUBER  
MACHINE A GLACONS AUTONOME  
STECKERFERTIGER WÜRFELEISBEREITER  
IJSBLOKJESMACHINE MET INGEBOUWDE OPSLAGBUNKER  
MÁQUINA FABRICADORA DE HIELO INTEGRADA  
FABBRICATORE DI GHIACCIO IN CUBETTI A RISERVA INCORPORATA

## **INSTRUCTION MANUAL**

(original instructions)

## **NOTICE D'UTILISATION**

(instructions traduites)

## **BEDIENUNGSANLEITUNG**

(Übersetzung)

## **GEBRUIKSAANWIJZING**

(vertaalde instructies)

## **MANUAL DE INSTRUCCIONES**

(instrucciones traducidas)

## **MANUALE D'ISTRUZIONI**

(traduzione)

**IM-21CNE-HC**  
**IM-30CNE-HC**  
**IM-45CNE-HC**  
**IM-45NE-HC**  
**IM-65NE-HC**  
**IM-100CNE-HC**  
**IM-100NE-HC**  
**IM-100WNE-HC**  
**IM-130NE-HC**  
**IM-130WNE-HC**  
**IM-240NE-HC**  
**IM-240WNE-HC**



IM-100NE-HC

**HOSHIZAKI EUROPE LIMITED**

Telford 70 Stafford Park 7, Telford, Shropshire TF3 3BQ UK

L1M036205 (022520)

<b>ENGLISH</b>	IMPORTANT SAFETY INFORMATION.....	1
	I. INSTALLATION INSTRUCTIONS.....	3
	1. CONSTRUCTION.....	3
	2. ACCESSORIES.....	3
	3. UNPACKING.....	4
	4. LOCATION.....	5
	5. INSTALLATION.....	6
	6. ELECTRICAL CONNECTIONS.....	6
	7. WATER SUPPLY AND DRAIN CONNECTIONS.....	6
	II. OPERATING INSTRUCTIONS.....	9
	1. START UP.....	9
	2. PREPARING THE ICEMAKER FOR LONG STORAGE.....	9
	III. MAINTENANCE.....	10
	1. CLEANING.....	10
	2. BEFORE CALLING FOR SERVICE.....	11
	3. DISPOSAL.....	12
	4. WARRANTY.....	12
	SPECIFICATIONS.....	13
<b>FRANCAIS</b>	INFORMATIONS DE SECURITE IMPORTANTES.....	15
	I. CONSIGNES D'INSTALLATION.....	17
	1. CONSTRUCTION.....	17
	2. ACCESSOIRES.....	17
	3. DEBALLAGE.....	18
	4. EMBLACEMENT.....	19
	5. INSTALLATION.....	20
	6. BRANCHEMENTS ELECTRIQUES.....	20
	7. BRANCHEMENTS D'ARRIVEE ET DE VIDANGE D'EAU.....	21
	II. CONSIGNES D'UTILISATION.....	23
	1. MISE EN MARCHÉ.....	23
	2. PREPARATION DU DISTRIBUTEUR DE GLACE EN VUE D'UN ENTREPOSAGE DE LONGUE DUREE.....	24
	III. ENTRETIEN.....	24
	1. NETTOYAGE.....	24
	2. AVANT D'APPELER UN REPARATEUR.....	25
	3. MISE AU REBUT.....	26
	4. GARANTIE.....	26
	SPECIFICATIONS.....	27
<b>DEUTSCH</b>	WICHTIGE SICHERHEITSHINWEISE.....	29
	I. INSTALLATIONSANLEITUNG.....	31
	1. KONSTRUKTION.....	31
	2. ZUBEHÖR.....	31
	3. AUSPACKEN.....	32
	4. AUFSTELLORT.....	33
	5. INSTALLATION.....	34
	6. ELEKTRISCHE ANSCHLÜSSE.....	34
	7. WASSERZUWASSERZULAUF- UND WASSERABFLUSSANSCHLÜSSE.....	35
	II. BEDIENUNGSANLEITUNG.....	37
	1. INBETRIEBNAHME.....	37
	2. MASSNAHMEN FÜR DIE LANGFRISTIGE LAGERUNG DES EISBEREITERS.....	38
	III. WARTUNG.....	38
	1. REINIGUNG.....	38
	2. VOR ANRUF DES KUNDENDIENSTES.....	39
	3. ENTSORGUNG.....	40
	4. GEWÄHRLEISTUNG.....	40
	TECHNISCHE DATEN.....	41

<b>NEDERLANDS</b>	BELANGRIJKE VEILIGHEIDSINFORMATIE .....	43
	I. INSTALLATIE-INSTRUCTIES.....	45
	1. CONSTRUCTIE.....	45
	2. TOEBEHOREN.....	45
	3. UITPAKKEN .....	46
	4. PLAATSING.....	47
	5. INSTALLATIE .....	48
	6. ELEKTRISCHE AANSLUITINGEN .....	48
	7. AANSLUITING VAN WATERTOEVOER- EN WATERAFVOERLEIDINGEN .....	49
	II. BEDIENING.....	51
	1. OPSTARTEN.....	51
	2. DE IJSMAKER GEREEDMAKEN VOOR LANGDURIGE OPSLAG.....	52
	III. ONDERHOUD.....	52
	1. REINIGEN .....	52
	2. VOORDAT U BELT VOOR SERVICE.....	53
	3. VERWIJDERING .....	54
	4. GARANTIE .....	54
	SPECIFICATIES.....	55
<b>ESPAÑOL</b>	INFORMACIÓN IMPORTANTE DE SEGURIDAD .....	57
	I. INSTRUCCIONES DE INSTALACIÓN.....	59
	1. CONSTRUCCIÓN .....	59
	2. ACCESORIOS.....	59
	3. DESEMBALAJE.....	60
	4. UBICACIÓN.....	61
	5. INSTALACIÓN.....	62
	6. CONEXIONES ELÉCTRICAS .....	62
	7. SUMINISTRO DE AGUA Y CONEXIONES DE DRENAJE.....	63
	II. INSTRUCCIONES DE UTILIZACIÓN .....	65
	1. PUESTA EN MARCHA.....	65
	2. PREPARACIÓN DE LA MÁQUINA DE HIELO PARA UN ALMACENAMIENTO PROLONGADO.....	66
	III. MANTENIMIENTO .....	66
	1. LIMPIEZA .....	66
	2. ANTES DE LLAMAR AL SERVICIO TÉCNICO.....	67
	3. ELIMINACIÓN .....	68
	4. GARANTÍA .....	68
	ESPECIFICACIONES.....	69
<b>ITALIANO</b>	INFORMAZIONI IMPORTANTI SULLA SICUREZZA.....	71
	I. ISTRUZIONI PER L'INSTALLAZIONE.....	73
	1. COMPONENTI .....	73
	2. ACCESSORI.....	73
	3. DISIMBALLAGGIO .....	74
	4. UBICAZIONE.....	75
	5. INSTALLAZIONE.....	76
	6. COLLEGAMENTI ELETTRICI .....	76
	7. COLLEGAMENTO DI ALIMENTAZIONE DELL'ACQUA E COLLEGAMENTO DI SCARICO .....	77
	II. ISTRUZIONI DI FUNZIONAMENTO .....	79
	1. AVVIO.....	80
	2. PREPARATIVI PER IL'IMMAGAZZINAGGIOL DELLA MACCHINA A LUNGO TERMINE .....	80
	III. MANUTENZIONE.....	80
	1. PULIZIA .....	80
	2. PRIMA DI RIVOLGERSI ALL'ASSISTENZA .....	82
	3. SMALTIMENTO.....	82
	4. GARANZIA .....	82
	SPECIFICHE .....	83

## IMPORTANT SAFETY INFORMATION

Throughout this manual, notices appear to bring your attention to situations which could result in death, serious injury, or damage to the unit.

<b>▲WARNING</b>	Indicates a hazardous situation which, if not avoided, could result in death or serious injury.
<b>▲CAUTION</b>	Indicates a hazardous situation which, if not avoided, could result in minor or moderate injury.
<b>NOTICE</b>	Indicates a hazardous situation which, if not avoided, could result in damage to the unit.
<b>▲HYGIENE</b>	Indicates important precautions for hygiene and food safety.
<b>IMPORTANT</b>	Indicates important information about the use and care of the unit.

This icemaker uses HFC-free refrigerant (propane) that is a non-ozone-depleting and environmentally sustainable material having very low global warming potential.

<b>▲WARNING</b>	
This icemaker contains flammable refrigerant in its cooling unit; installation, handling, servicing and disposal must therefore only be carried out by authorized technicians.	
The refrigerant contained in this icemaker is flammable and sealed in the refrigeration system. Although the refrigerant does not leak out under normal usage, take utmost care when handling this icemaker so as not to cause any damages to the system.	
In the case of accidental damage to the refrigeration system causing refrigerant leak:	
<ul style="list-style-type: none"> <li>* Do not create a source of ignition in the area.</li> <li>* Do not operate electrical switches or plugs in the area.</li> <li>* Do not use naked flame.</li> <li>* Immediately ventilate the area by opening doors and/or windows.</li> <li>* Call service engineer.</li> </ul>	
<b>IMPORTANT</b>	
This booklet is an integral and essential part of the product and should be kept and preserved by the user.	
Please read carefully the guidelines and warnings contained herein as they are intended to provide the installer/user with essential information for the proper installation and the continued safe use and maintenance of the product.	
Please preserve this booklet for any further consultation that may be necessary.	

## ⚠ WARNING

This is a commercial icemaker, and should be destined only to be used for the purpose for which it has been expressly designed.

Any other use should be considered improper and therefore dangerous. The manufacturer will not be held liable or responsible for any damage caused by improper, incorrect and unreasonable use.

**The installation, and relocation if necessary, must be carried out by qualified personnel,** in accordance with current regulations, according to the manufacturer's instructions.

Keep ventilation openings, in the appliance enclosure or in the built-in structure, clear of obstruction.

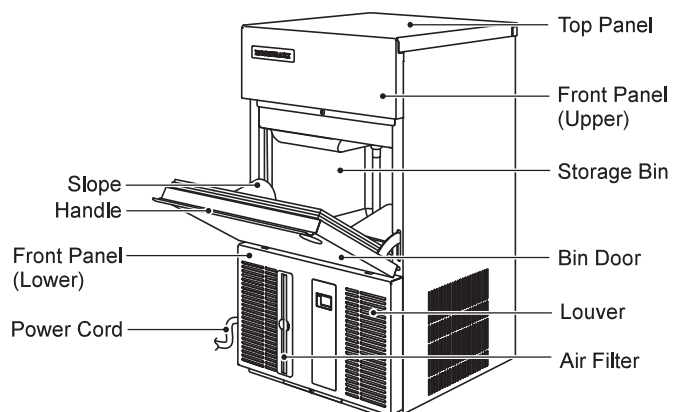
Do not use mechanical devices or other means to accelerate the defrosting process, other than those recommended by the manufacturer.

The use of any electrical appliance involves the observance of some fundamental rules. In particular:

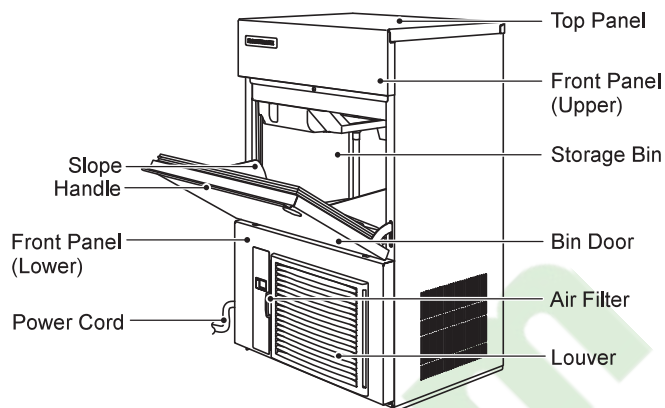
- \* Instances of high humidity and moisture increase the risk of electrical short circuits and potential electrical shocks. If in doubt, disconnect the icemaker.
- \* Do not damage the power cord or pull it in order to disconnect the icemaker from the electrical supply network.
- \* If the supply cord is damaged, it must be replaced by a replacement cord available from Hoshizaki Parts/Service Centres.
- \* Do not touch the electrical parts or operate the switches with damp hands.
- \* This appliance is not intended for use by persons (including children) with reduced physical, sensory or mental capabilities, or lack of experience and knowledge, it can however be used by children aged from 8 years and above and persons with reduced physical, sensory or mental capabilities, or lack of experience and knowledge providing they have been given supervision or instruction concerning use of the appliance by a person responsible for their safety.
- \* Children shall not play with the appliance.
- \* Cleaning and user maintenance shall not be made by children without supervision.
- \* Do not attempt to modify the icemaker. Only qualified personnel may disassemble or repair the appliance.

## I. INSTALLATION INSTRUCTIONS

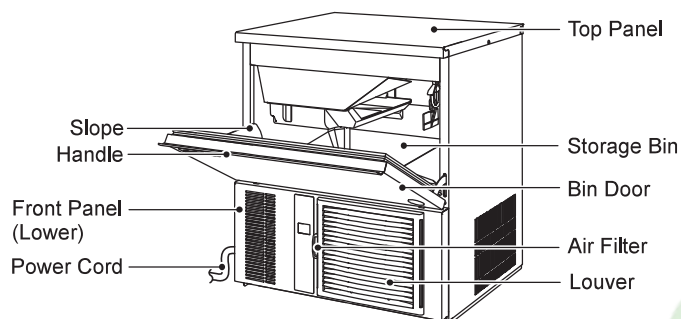
### 1. CONSTRUCTION



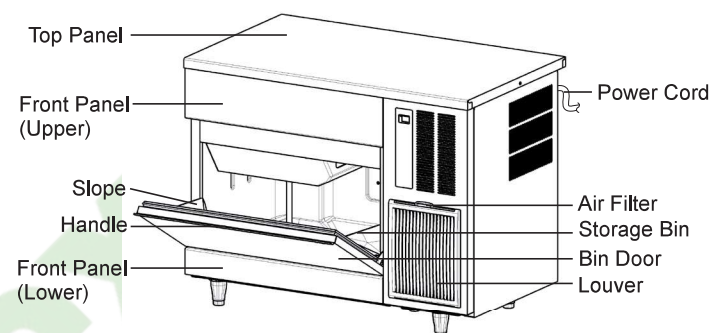
[IM-21CNE-HC, 30CNE-HC]



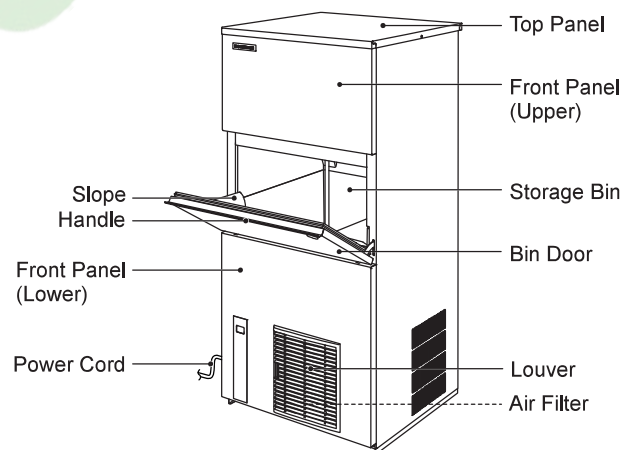
[IM-45NE-HC, 65NE-HC, 100NE/WNE-HC, 130NE/WNE-HC]



[IM-45CNE-HC]



[IM-100CNE-HC]



[IM-240NE/WNE-HC]

### 2. ACCESSORIES

	IM-21CNE-HC	IM-30CNE-HC IM-45CNE-HC IM-45NE-HC IM-65NE-HC IM-100NE-HC IM-130NE-HC IM-240NE-HC	IM-100CNE-HC	IM-100WNE-HC IM-130WNE-HC IM-240WNE-HC
CD	1	1	1	1
Scoop	1	1	1	1
Inlet Hose	1	1	1	2
Outlet Hose	1	1	1	2
1/2-3/4 Nipple	-	-	-	2
Leg	-	4	5	4
Connector Cover	1	1	1	1
3/4-3/4 Nipple	-	-	1	-

# ENGLISH



CD



Scoop



Inlet Hose



Outlet Hose



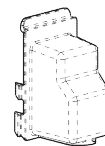
3/4-3/4  
Nipple



1/2-3/4  
Nipple



Leg



Connector Cover

## 3. UNPACKING

### ⚠ WARNING

Children should not be allowed in reach of the packaging elements (plastic bags and expanded polystyrene) as they are potential sources of danger.

### ⚠ CAUTION

Do not lift or manoeuvre the carton by using the shipping bands.

When moving the unit by hand, hold the unit bottom.

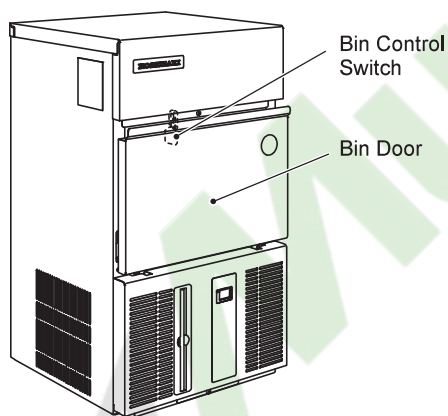
Always wear protective gloves when carrying the unit.

When handling the carton or the unpacked unit, work in pairs to prevent injury.

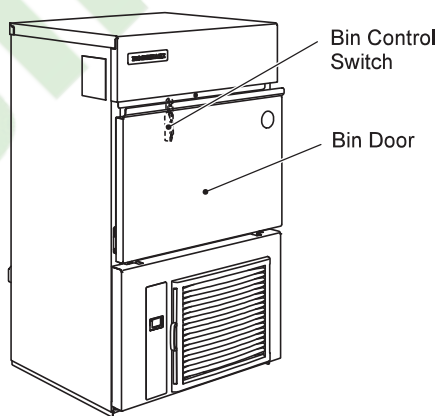
### NOTICE

Remove shipping carton, tape(s) and packing. If packing material is left in the icemaker, it will not work properly.

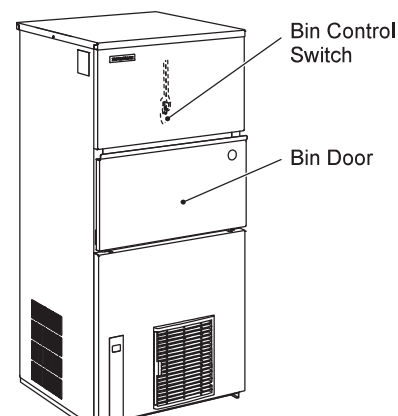
- 1) After removing the packaging, make sure that the icemaker is in good condition. If in doubt, please do not use the icemaker but apply to professionally qualified personnel.
- 2) Remove the shipping tape holding the door and front panel.
- 3) Remove the protective plastic film from the exterior. If the icemaker is exposed to the sun or to heat, remove the film after the icemaker cools.
- 4) Remove the package of accessories. Check the contents according to "2. ACCESSORIES".
- 5) Remove the shipping tape holding the bin control switch by opening the bin door and reaching in.



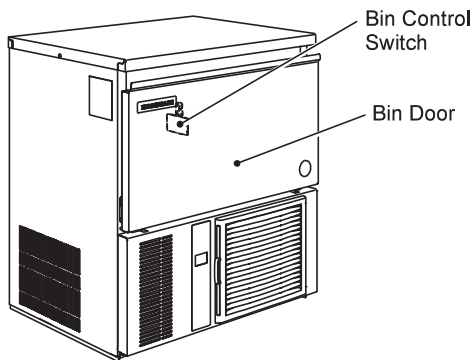
[IM-21CNE-HC, 30CNE-HC]



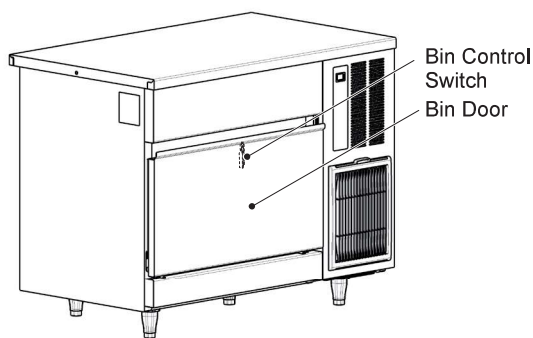
[IM-45NE-HC, 65NE-HC, 100NE/WNE-HC,  
130NE/WNE-HC]



[IM-240NE/WNE-HC]



[IM-45CNE-HC]



[IM-100CNE-HC]

## 4. LOCATION

### ⚠ WARNING

This icemaker is not intended for outdoor use.

The icemaker should not be located next to ovens, grills or other high heat producing equipment.

This appliance is not suitable for installation in an area where a water jet could be used.

### ⚠ CAUTION

The location should provide a firm and level foundation for the icemaker.

### NOTICE

Do not place anything on top of the icemaker or in front of the louver.

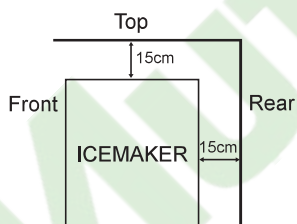
### IMPORTANT

Normal operating ambient temperature should be within 1°C to 40°C. Water connection is cold water only. Operation of the icemaker, for extended periods, outside of these normal temperature ranges may affect production capacity.

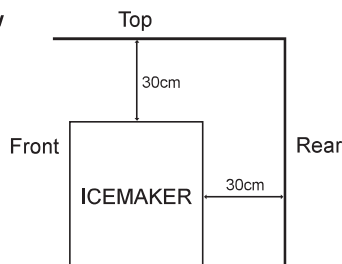
Allow the clearance specified below for proper air circulation and ease of maintenance and/or service should they be required.

**[IM-21CNE-HC, 30CNE-HC, 45CNE-HC, 240WNE-HC] [IM-240NE-HC]** \* No clearance required on sides

Side View \* No clearance required on sides

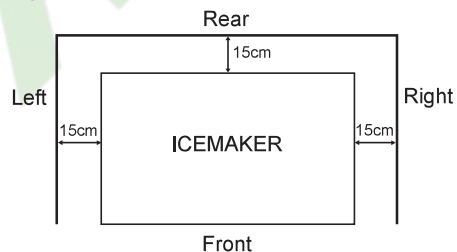


Side View

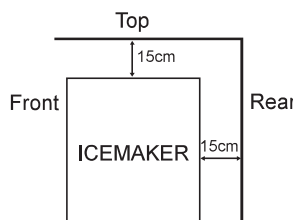


**[IM-45NE-HC, 65NE-HC, 100CNE-HC, 100NE/WNE-HC, 130NE/WNE-HC]**

Top View



Side View



In some high humidity environments, condensation may form inside the machine and drip onto the floor. Do not install where the floor can be affected by water.

Avoid prolonged exposure of the appliance to direct sunlight.



# ENGLISH

## 5. INSTALLATION

### ⚠ CAUTION

Incorrect installation can cause harm to people, animals or other items, for which the manufacturer cannot be held responsible.

\* Place the icemaker in the selected permanent site.

[Except IM-21CNE-HC]

\* When attaching the adjustable legs (accessory), level the unit in both the left-to-right and front-to-rear directions.

## 6. ELECTRICAL CONNECTIONS

### ⚠ WARNING

#### THIS APPLIANCE MUST BE EARTHED

This icemaker requires an earth that meets the national and local electrical code requirements.

To prevent possible severe electrical shock to individuals or extensive damage to the unit, install a proper earth wire to the icemaker.

Disconnect the main power supply before any maintenance, repairs or cleaning is undertaken.

\* This appliance requires a separate 220 - 240VAC, 10A [IM-21CNE-HC, 30CNE-HC, 45CNE/NE-HC, 65NE-HC, 100CNE/NE/WNE-HC, 130NE/WNE-HC] / 13A [IM-240NE/WNE-HC] supply. The electrical supply must be protected by a suitable circuit breaker.

\* The main control box fuse is rated at 5A and should only be replaced by a qualified service engineer.

\* Usually an electrical permit and services of a licensed electrician are required.

#### For the U.K. and the Republic of Ireland only

\* The wires in the mains lead are coloured in accordance with the following code:

Green & Yellow = Earth

Blue = Neutral

Brown = Live

As the colours of the wire in the mains lead of this appliance may not correspond with the coloured markings identifying the terminals in your plug, proceed as follows:

The wire which is coloured Green-and-Yellow must be connected to the terminal in the plug which is marked with the letter E or by the symbol  $\perp$  or coloured Green or Green-and-Yellow. The wire which is coloured Blue must be connected to the terminal which is marked with the letter N or coloured Black. The wire which is coloured Brown must be connected to the terminal which is marked with the letter L or coloured Red.

\* Should the socket outlets in the installation site not be suitable for the plug supplied with your product, the plug must be removed (cut off if it is moulded on plug) and an appropriate plug fitted.

If the non-rewirable plug has been cut from the power supply cord, it must be disposed of. There should be no attempt to reuse it. Inserting such a plug into a socket elsewhere presents a serious risk of electrical shock.

\* The non-rewirable plug must never be used without a fuse cover being fitted.

The correct replacement for the detachable fuse cover is identifiable from the manufacturer's reference number stamped on the plug.

Supply of replacement fuse covers can be obtained from Hoshizaki Parts/Service Centres.

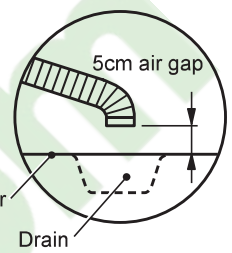
Fuses should be rated at 13A and approved to BS 1362.

## 7. WATER SUPPLY AND DRAIN CONNECTIONS

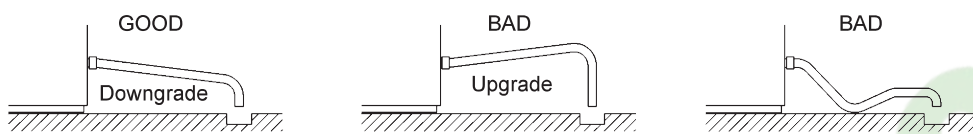
### ⚠ WARNING

Connect to potable cold water supply only.

- \* The connections to the mains water supply must be made in accordance with the countries' current requirements of the Water Supply or Water Fittings Regulations.
- \* Icemaking water must be potable water. Where scaling can be caused by water quality:
  - Installation of an external filter or softener is recommended. Contact your local water treatment professional or Hoshizaki service agent.
  - Change to the "full drain flush" mode is recommended. Contact your local Hoshizaki service agent.
- \* Water supply pressure should be minimum 0.07 MPa (0.7 bar) and maximum 0.8 MPa (8 bar). If the pressure exceeds 0.8 MPa (8 bar), use a proper pressure reducing valve. Do NOT throttle back the supply tap.
- \* A plumbing permit and services of a licensed plumber may be required in some areas.
- \* The icemaker drain is gravity flow, so ensure drain hose has an adequate pitch or fall.
- \* Drain lines should not be installed directly to the sewer system. A vertical air gap of a minimum of 5 cm should be between the end of the drain hoses from the icemaker and the floor drain.



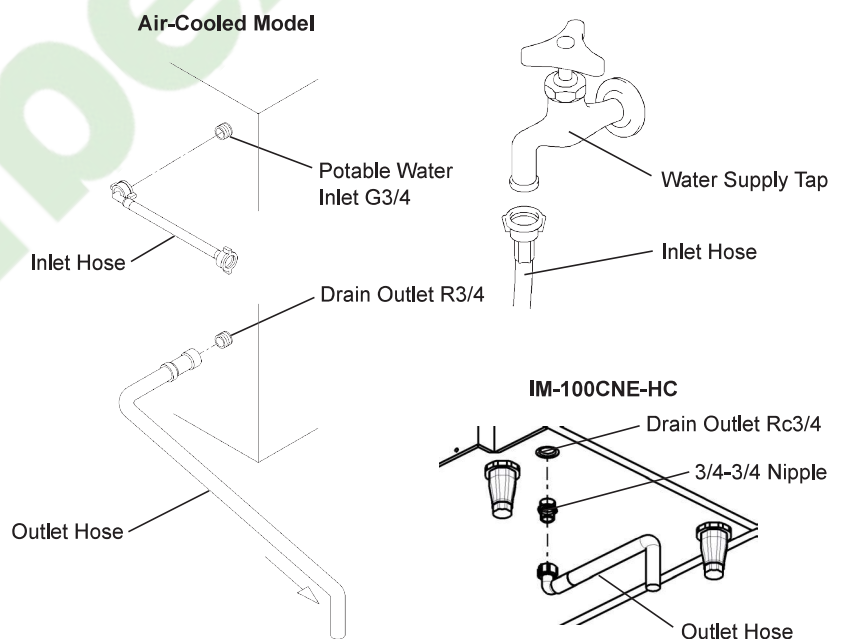
- \* To prevent a backflow into the storage bin, the outlet hose must be laid as shown.



- \* On water-cooled model, a back flow preventer may be required in the cooling water circuit.
- \* Be sure to use the new hose-sets supplied with the appliance. Do not reuse any old hose-sets.

## [Air-Cooled Model]

- 1) Attach the angled end of flexible inlet hose (accessory) to the G3/4 fitting on the rear of the icemaker as indicated, ensuring rubber sealing washer is correctly positioned. Hand tighten sufficiently to provide leak free joint.
- 2) Attach the other end of inlet hose to the water tap, noting washer is correctly positioned before hand tightening as above. It is a wise precaution to have a stop valve within easy reach.
- 3) [Except IM-100CNE-HC]  
Hand tighten grey flexible outlet hose (accessory) onto the R3/4 fitting on the rear of the icemaker as indicated, ensuring rubber washer is correctly positioned to obtain a leak free joint. The hose can be cut to length as necessary to suit position of main drain.



## [IM-100CNE-HC]

By means of a suitable spanner or wrench, tighten the 3/4-3/4 nipple (accessory) into the Rc3/4 fitting on the bottom of the icemaker as indicated. P.T.F.E. tape and/or a suitable sealing compound should be used to obtain a leak free joint.

Note: Jointing compounds should be approved and suitable for potable water use.

Hand tighten grey flexible outlet hose (accessory) onto the 3/4-3/4 nipple as indicated, ensuring rubber washer is correctly positioned to obtain a leak free joint. The hose can be cut to length as necessary to suit position of main drain.

# ENGLISH

## [Water-Cooled Model]

\* Hoshizaki recommends that the water-cooled condenser should be connected to a closed circuit recirculating type cooling system utilizing a tower, water chiller or similar. Water make up should be via a ball valve/break tank arrangement.

\* Whilst connecting a water-cooled condenser to a mains water (potable) supply will not affect the performance of the machine, it will most certainly cause a high use/waste of a valuable resource and is not recommended.

\* The services of a licensed or coded plumber should be used to ensure a correct installation.

\* The connections should be made properly in compliance with the applicable national or local regulations.

### [a] Standard connections according to WRAS regulations in U.K.

\* When selecting a cooling tower, refer to the following peak values of heat flow in the condenser:

Model IM-100/130W:	1165W
IM-240W:	5235W

\* Pipes between the cooling tower and the icemaker should be at least 20 mm DIA to reduce pressure loss, even though the icemaker fittings are 13 mm DIA.

\* Pressure loss in the water circuit inside the unit will be 5 to 6 m when the cooling water flows at the ratio of 4 to 5 lit/min.

\* Select a circulating pump referring to the above values of heat flow.

\* Do not use a cascade pump, or the water regulator will vary the flow and stop it during the defrost cycle.

### [Icemaker Connections]

1) Attach the angled end of flexible inlet hose (accessory) to the G3/4 fitting on the rear of the icemaker as indicated, ensuring rubber sealing washer is correctly positioned. Hand tighten sufficiently to provide leak free joint.

2) Attach the other end of inlet hose to the water tap, noting washer is correctly positioned before hand tightening as above.

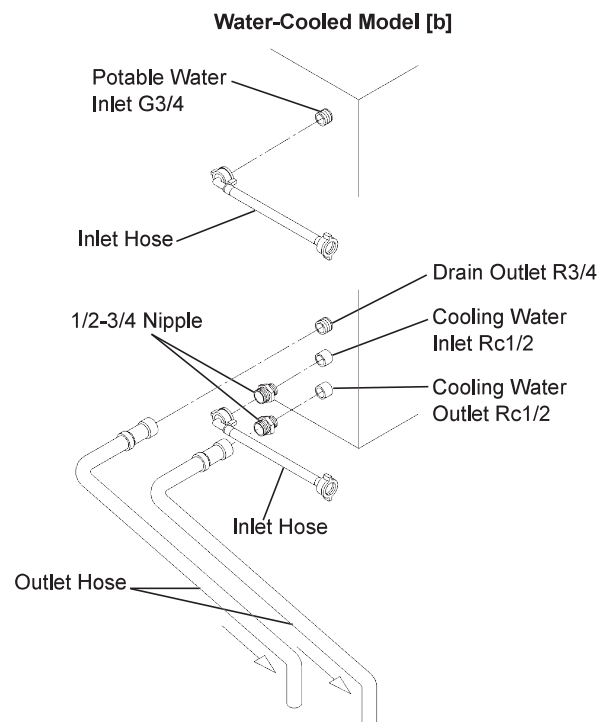
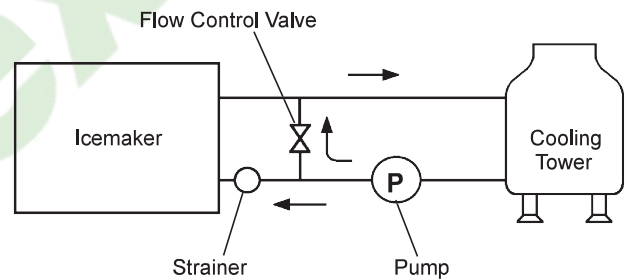
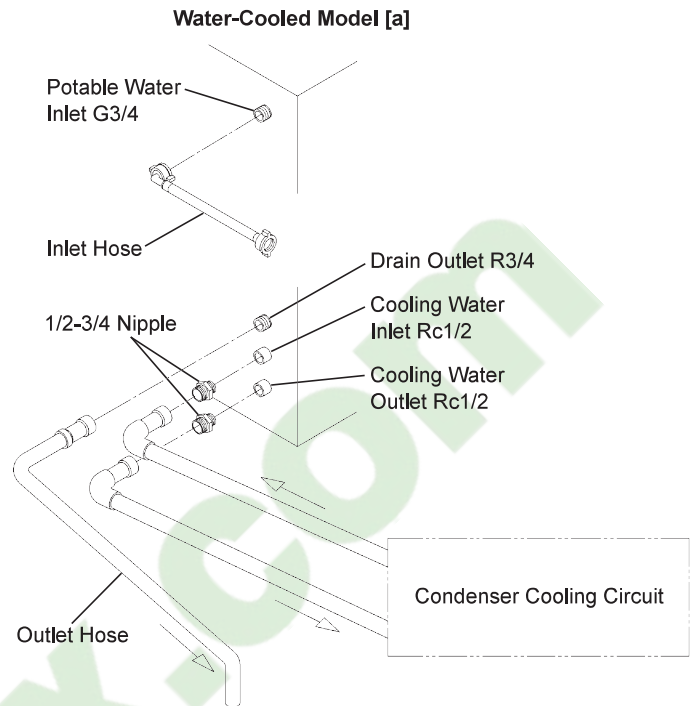
Note: If filtration or treatment is used, ensure icemaker section only is on treated water supply, not the condenser.

3) Attach grey flexible outlet hose (accessory) to the R3/4 fitting on the rear of the icemaker as indicated, confirming fitment of rubber washer before finally hand tightening the joint. The hose can be cut to length as necessary to suit position of main drain.

4) By means of a suitable spanner or wrench, tighten the 1/2-3/4 nipples (accessory) into the Rc1/2 fittings on the rear of the icemaker as indicated. P.T.F.E. tape and/or a suitable sealing compound should be used to obtain a leak free joint.

Note: Jointing compounds should be approved and suitable for potable water use.

5) Connect the condenser cooling circuit to the free end of 1/2-3/4 nipples as indicated using a suitable rigid type pipe.



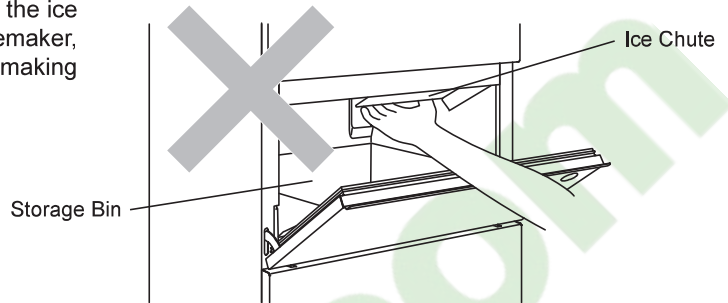
## [b] Connections according to regulations other than WRAS by utilising accessory hoses

- 1) Follow the instructions from 1) to 4) in [a] above.
- 2) For condenser connections, use supplied accessory hoses and make the same connections as 1) to 3) in [a] above to the free end of 1/2-3/4 nipples as indicated.

## II. OPERATING INSTRUCTIONS

### ⚠ CAUTION

Do not put your hands into the back of the storage bin or the ice chute on top of the storage bin. Ice may drop off the icemaker, a hard block of ice may suddenly break down, or the icemaking mechanism may suddenly move, resulting in injury.



### NOTICE

All parts are factory-adjusted. Improper adjustments may result in failure.

If the unit is turned off, wait for at least 3 minutes before restarting the icemaker to prevent damage to the compressor.

### ⚠ HYGIENE

This icemaker is designed to produce edible ice. To keep the icemaker hygienic:

- \* Wash your hands before removing ice. Use the plastic scoop provided (accessory).
- \* The storage bin is for ice use only. Do not store anything else in the bin nor use other electrical appliances in the bin.
- \* Clean the storage bin before use (see "III. 1. CLEANING").
- \* Keep the scoop clean. Clean it by using a neutral cleaner and rinse thoroughly.
- \* Close the door after removing ice to prevent entrance of dirt, dust or insects into the storage bin.

## 1. START UP

The installer will normally commission the icemaker to start the automatic icemaking process. To ensure continuous operation, make sure that:

- \* The water supply tap is on, and
- \* The icemaker is connected to the power supply.

## 2. PREPARING THE ICEMAKER FOR LONG STORAGE

### NOTICE

This icemaker will not work at subfreezing temperatures. To prevent damage to the water supply line, drain the icemaker when air temperature is below zero.

### ⚠ HYGIENE

When shutting down the icemaker for two or more days, drain the icemaker to prevent contamination in the water circuit.

- 1) Unplug the icemaker or disconnect the power supply.
- 2) Close the water supply tap, and remove the inlet hose.
- 3) Remove all ice from the storage bin, and clean the bin.
- 4) Ask for draining of the icemaker by professional qualified personnel.

## III. MAINTENANCE

### 1. CLEANING

#### ⚠ WARNING

Before carrying out any cleaning or maintenance operations, unplug the icemaker from the electrical supply network.

This appliance must not be cleaned by use of a water jet.

#### ⚠ CAUTION

When using a neutral cleaner or sodium hypochlorite, thoroughly read and understand the instructions provided to prevent potential health problems.

#### NOTICE

Ask a trained service person to clean and sanitise the icemaker water system at least twice a year and to check and clean the condenser at least once a year.

To prevent possible damage, do not clean the plastic parts with water above 40°C or in a dishwasher.

#### [a] Machine and Bin Exterior

Wipe the exterior at least once per week with a clean, soft cloth. Use a damp cloth containing a neutral cleaner to wipe off grease or dirt.

#### [b] Scoop and Storage Bin Handle Cleaning/Sanitisation (Daily)

1) Either mix 1 litre of water with 4 ml of 5.25% sodium hypochlorite solution in a suitable container, or the recommended Hoshizaki sanitiser as directed.

2) Soak the scoop in the solution for more than 3 minutes. Rinse thoroughly, and shake to remove surplus liquid.

Note: Using a cloth to dry may re-contaminate.

3) Use a neutral cleaner to wash the storage bin handle. Rinse thoroughly.

4) Soak a clean cloth with the sanitising solution, and wipe the handle. Use fresh water and a clean cloth to rinse/dry.

#### [c] Storage Bin Interior Cleaning/Sanitisation (Weekly)

1) Open the storage bin door, and remove all ice.

2) Wash the bin liner with a neutral non-abrasive cleaner. Rinse thoroughly.

3) Soak a clean cloth with the neutral cleaner, and wipe both sides of the slope and the door inner surface. Wipe off the cleaner with a clean damp cloth.

4) Either mix 5 litres of water with 18 ml of 5.25% sodium hypochlorite solution in a suitable container, or the recommended Hoshizaki sanitiser as directed.

5) Soak a clean sponge or cloth with the solution, and wipe the bin liner, bin door and slope.

6) The remaining solution can be used to sanitise utensils.

Note: Do not wipe dry or rinse after sanitising, but allow to air dry.

#### [d] Air Filter (Air-Cooled Model Only)

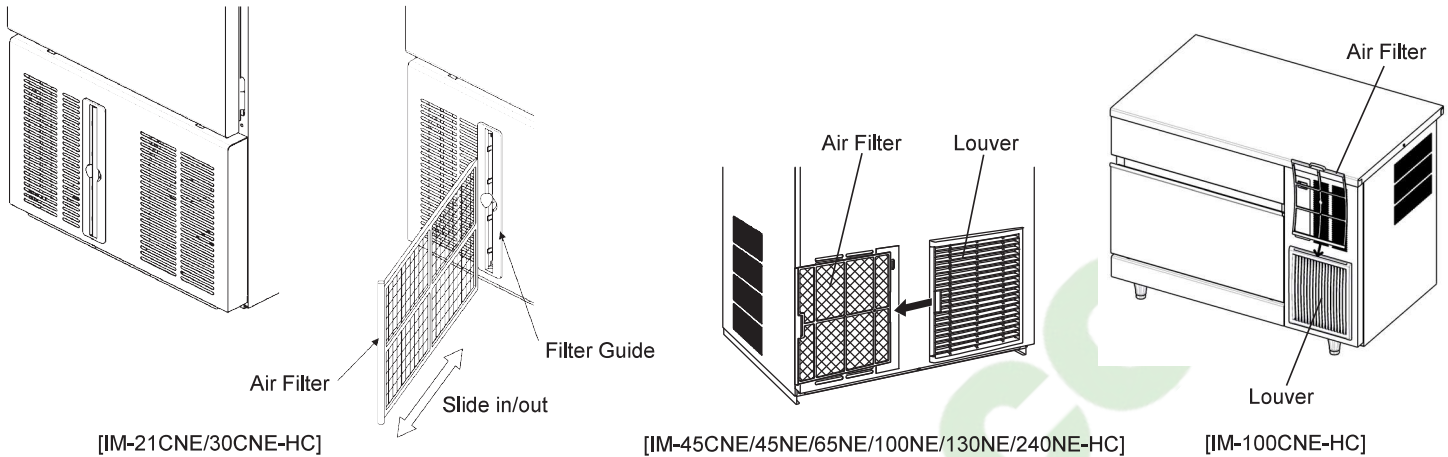
Plastic mesh air filters remove dirt or dust from the air, and keep the condenser from getting clogged. If the filters get clogged, the icemaker's performance will be reduced. Remove and clean the air filter(s) at least twice per month:

1) Slide the air filter off the filter guide [IM-21CNE/30CNE-HC] or the louver [IM-45CNE/45NE/65NE/100CNE/100NE/130NE/240NE-HC].

- 2) Clean the air filter by using a vacuum cleaner. When severely clogged, use warm water and a neutral cleaner to wash the air filter.
- 3) Rinse and dry the air filter thoroughly.

## NOTICE

After cleaning, be sure to place the air filter back in position.



## 2. BEFORE CALLING FOR SERVICE

### ⚠ WARNING

Do not damage the refrigerant circuit.

### [a] Error Code Indication

### ⚠ WARNING

If the error code "E" is indicated on the display, there is a possibility of gas leaks. Do not touch the unit. Ventilate the area and immediately call for service.

Code	Possible Cause
E1	Freeze error.
E2	Defrost error.
EE	Other error.
EF	Gas sensor (if provided) detects gas leaks.

### [b] No Error Code Indication

If the icemaker does not work properly or does not work at all and no error code is indicated on the display, before calling for service, check that:

- \* The power is supplied to the unit.
- \* The water is turned on.
- \* The air filter is clean (air-cooled model).
- \* The cooling water circuit has a proper flow (water-cooled model).

For further assistance or advice, contact your local Hoshizaki service agent.

### [c] Alarm Code Indication

If the alarm code A1 or A2 appears, the gas sensor may be defective. Contact your local Hoshizaki service agent.

# ENGLISH

## 3. DISPOSAL

Comply with local regulations regarding disposal of this appliance and its refrigerant gas. Before you scrap the appliance, take off the door to prevent children trapped.

Correct disposal of this product:

This marking indicates that this product should not be disposed with other household wastes throughout the EU. To prevent possible harm to the environment or human health from uncontrolled waste disposal, recycle it responsibly to promote the sustainable reuse of material resources. To return your used device, use the return and collection systems or contact the retailer where the product was purchased. They can take this product for environmental safe recycling.



## 4. WARRANTY

Hoshizaki warrants to the original owner/user that all Hoshizaki branded products shall be free of defects in material and/or workmanship for the duration of the "warranty period". The warranty shall be effective for two years from the date of installation. Hoshizaki's liability under the terms of the warranty are limited and shall exclude routine servicing, cleaning, essential maintenance and/or repairs occasioned by misuse and installations not in accordance with Hoshizaki guidelines.

Warranty repairs should be completed by an approved Hoshizaki dealer or service agency using genuine Hoshizaki components.

To obtain full details of your warranty and approved service agency, please contact your dealer/supplier, or the nearest Hoshizaki Service office:

### Europe, Middle East, Africa

Hoshizaki UK - UK, Ireland  
TEL: +44 845 456 0585  
FAX: +44 132 283 8331  
uksales@hoshizaki.co.uk

Hoshizaki Middle East - Middle East  
TEL: +971 48 876 612  
FAX: +971 48 876 613  
sales@hoshizaki.ae

Hoshizaki Deutschland - Germany, Switzerland, Austria  
TEL: +49 2154 92810  
FAX: +49 2154 928128  
info@hoshizaki.de

Hoshizaki Benelux - Netherlands, Belgium, Luxembourg  
Tel: +31 85 018 83 70  
info@hoshizaki.nl

Hoshizaki France - France  
TEL: +33 1 48 63 93 80  
FAX: +33 1 48 63 93 88  
info@hoshizaki.fr

Hoshizaki Europe B.V. - all other countries within Europe and Africa  
TEL: +31 20 6918499  
FAX: +31 20 6918768  
sales@hoshizaki.nl

Hoshizaki Iberia - Spain, Portugal  
TEL: +34 93 478 09 52  
FAX: +34 93 478 08 00  
info@hoshizaki.es

### Asia, Oceania

Hoshizaki Singapore  
TEL: +65 6225 2612  
FAX: +65 6225 3219

Hoshizaki Hong Kong  
TEL: +852 2866-2108  
FAX: +852 2866-2109

Hoshizaki Taiwan  
TEL: +886 2 2706 8818  
FAX: +886 2 2708 7999

Hoshizaki Lancer  
TEL: +61 8 8268 1388  
FAX: +61 8 8268 1978

## SPECIFICATIONS

Model	IM-21CNE-HC	IM-30CNE-HC	IM-45CNE-HC
Type	Air-cooled, cube ice	Air-cooled, cube ice	Air-cooled, cube ice
Power Supply	1 phase 220 - 240V 50Hz	1 phase 220 - 240V 50Hz	1 phase 220 - 240V 50Hz
Electric Consumption	225W	230W	275W
Ice Production per 24h	23kg (5mm) / 25kg (15mm) (ambient 10°C, water 10°C)	25kg (5mm) / 30kg (15mm) (ambient 10°C, water 10°C)	40kg (5mm) / 46kg (15mm) (ambient 10°C, water 10°C)
Dimensions	398mm(W) x 451mm(D) x 695mm(H)	398mm(W) x 451mm(D) x 695mm(H)	633mm(W) x 511mm(D) x 690mm(H)
Refrigerant	R290, 55g	R290, 65g	R290, 70g
Insulation Foam Blowing Agent	HFC-free	HFC-free	HFC-free
Weight	Net: 34kg (Gross: 39kg)	Net: 34kg (Gross: 39kg)	Net: 45kg (Gross: 55kg)
Ambient Temp	1 - 40°C	1 - 40°C	1 - 40°C
Water Supply Temp	5 - 35°C	5 - 35°C	5 - 35°C
Water Supply Pressure	0.07 - 0.8 MPa (0.7 - 8 bar)	0.07 - 0.8 MPa (0.7 - 8 bar)	0.07 - 0.8 MPa (0.7 - 8 bar)
Voltage Range	Rated voltage $\pm$ 6%	Rated voltage $\pm$ 6%	Rated voltage $\pm$ 6%

Model	IM-45NE-HC	IM-65NE-HC	IM-100CNE-HC
Type	Air-cooled, cube ice	Air-cooled, cube ice	Air-cooled, cube ice
Power Supply	1 phase 220 - 240V 50Hz	1 phase 220 - 240V 50Hz	1 phase 220 - 240V 50Hz
Electric Consumption	275W	320W	500W
Ice Production per 24h	40kg (5mm) / 46kg (15mm) (ambient 10°C, water 10°C)	52kg (5mm) / 62kg (15mm) (ambient 10°C, water 10°C)	92kg (5mm) / 105kg (15mm) (ambient 10°C, water 10°C)
Dimensions	503mm(W) x 456mm(D) x 840mm(H)	633mm(W) x 506mm(D) x 840mm(H)	1004mm(W) x 600mm(D) x 800mm(H)
Refrigerant	R290, 70g	R290, 110g	R290, 125g
Insulation Foam Blowing Agent	HFC-free	HFC-free	HFC-free
Weight	Net: 44kg (Gross: 50kg)	Net: 50kg (Gross: 60kg)	Net: 77kg (Gross: 88kg)
Ambient Temp	1 - 40°C	1 - 40°C	1 - 40°C
Water Supply Temp	5 - 35°C	5 - 35°C	5 - 35°C
Water Supply Pressure	0.07 - 0.8 MPa (0.7 - 8 bar)	0.07 - 0.8 MPa (0.7 - 8 bar)	0.07 - 0.8 MPa (0.7 - 8 bar)
Voltage Range	Rated voltage $\pm$ 6%	Rated voltage $\pm$ 6%	Rated voltage $\pm$ 6%

Model	IM-100NE-HC	IM-130NE-HC	IM-240NE-HC
Type	Air-cooled, cube ice	Air-cooled, cube ice	Air-cooled, cube ice
Power Supply	1 phase 220 - 240V 50Hz	1 phase 220 - 240V 50Hz	1 phase 220 - 240V 50Hz
Electric Consumption	555W	615W	930W
Ice Production per 24h	92kg (5mm) / 105kg (15mm) (ambient 10°C, water 10°C)	110kg (5mm) / 120kg (15mm) (ambient 10°C, water 10°C)	195kg (5mm) / 210kg (15mm) (ambient 10°C, water 10°C)
Dimensions	704mm(W) x 506mm(D) x 1200mm(H)	704mm(W) x 506mm(D) x 1200mm(H)	704mm(W) x 665mm(D) x 1510mm(H)
Refrigerant	R290, 120g	R290, 120g	R290, 147g
Insulation Foam Blowing Agent	HFC-free	HFC-free	HFC-free
Weight	Net: 76kg (Gross: 84kg)	Net: 76kg (Gross: 84kg)	Net: 111kg (Gross: 122kg)
Ambient Temp	1 - 40°C	1 - 40°C	1 - 40°C
Water Supply Temp	5 - 35°C	5 - 35°C	5 - 35°C
Water Supply Pressure	0.07 - 0.8 MPa (0.7 - 8 bar)	0.07 - 0.8 MPa (0.7 - 8 bar)	0.07 - 0.8 MPa (0.7 - 8 bar)
Voltage Range	Rated voltage $\pm$ 6%	Rated voltage $\pm$ 6%	Rated voltage $\pm$ 6%



# ENGLISH

Model	IM-100WNE-HC	IM-130WNE-HC	IM-240WNE-HC
Type	Water-cooled, cube ice	Water-cooled, cube ice	Water-cooled, cube ice
Power Supply	1 phase 220 - 240V 50Hz	1 phase 220 - 240V 50Hz	1 phase 220 - 240V 50Hz
Electric Consumption	465W	550W	810W
Ice Production per 24h	80kg (5mm) / 90kg (15mm) (ambient 10°C, water 10°C)	100kg (5mm) / 110kg (15mm) (ambient 10°C, water 10°C)	190kg (5mm) / 205kg (15mm) (ambient 10°C, water 10°C)
Dimensions	704mm(W) x 506mm(D) x 1200mm(H)	704mm(W) x 506mm(D) x 1200mm(H)	704mm(W) x 665mm(D) x 1510mm(H)
Refrigerant	R290, 147g	R290, 147g	R290, 147g
Insulation Foam Blowing Agent	HFC-free	HFC-free	HFC-free
Weight	Net: 74kg (Gross: 82kg)	Net: 74kg (Gross: 82kg)	Net: 120kg (Gross: 131kg)
Ambient Temp	1 - 40°C	1 - 40°C	1 - 40°C
Water Supply Temp	5 - 35°C	5 - 35°C	5 - 35°C
Water Supply Pressure	0.07 - 0.8 MPa (0.7 - 8 bar)	0.07 - 0.8 MPa (0.7 - 8 bar)	0.07 - 0.8 MPa (0.7 - 8 bar)
Voltage Range	Rated voltage $\pm$ 6%	Rated voltage $\pm$ 6%	Rated voltage $\pm$ 6%

Note: The above specifications are for the representative models.

## INFORMATIONS DE SECURITE IMPORTANTES

Tout au long de ce manuel, des avis attirent votre attention sur des situations qui pourraient entraîner la mort, des blessures graves ou des dégâts à l'appareil.

<b>▲AVERTISSEMENT</b>	Signale une situation dangereuse qui, si elle n'est pas évitée, peut entraîner des blessures graves voire mortelles.
<b>▲ATTENTION</b>	Signale une situation dangereuse qui, si elle n'est pas évitée, peut entraîner des blessures mineures ou modérées.
<b>AVIS</b>	Signale une situation dangereuse qui, si elle n'est pas évitée, peut entraîner des dégâts à l'appareil.
<b>▲HYGIENE</b>	Signale des précautions importantes à prendre en matière d'hygiène et de sécurité alimentaire.
<b>IMPORTANT</b>	Signale des informations importantes sur l'utilisation de l'appareil et son entretien.

La machine à glace emploie du fluide frigorigène exempt de HFC (propane), une substance non nocive pour la couche d'ozone et durable qui a très peu d'impact sur le réchauffement mondial.

<b>▲AVERTISSEMENT</b>
L'unité de refroidissement de la machine à glace contenant des fluides frigorigènes inflammables, son installation, sa manipulation, son entretien et sa mise au rebut ne doivent être réalisés que par des techniciens agréés.
Le fluide frigorigène de cette machine à glace est inflammable et est enfermé dans le système de réfrigération. Bien que le fluide frigorigène ne présente aucun risque de fuite dans des conditions d'utilisation normales, manipulez la machine à glace avec la plus grande précaution afin d'éviter d'endommager le système.
En cas de fuite de fluide frigorigène résultant d'un dommage accidentel au système de réfrigération : <ul style="list-style-type: none"> <li>* Interdire toute étincelle ou corps incandescent dans le voisinage.</li> <li>* N'utiliser aucun interrupteur ni prise électrique dans le voisinage.</li> <li>* Ne pas utiliser de flamme nue.</li> <li>* Ventiler immédiatement la pièce en ouvrant les portes et/ou fenêtres.</li> <li>* Appeler un technicien de réparation.</li> </ul>

<b>IMPORTANT</b>
Ce livret est un élément essentiel qui fait partie intégrante du produit et il doit être conservé soigneusement par l'utilisateur.
Veillez lire attentivement les conseils et les avertissements qui s'y trouvent, car ils ont pour but de fournir à l'installateur et à l'utilisateur des informations essentielles pour une installation correcte, une utilisation en toute sécurité et un entretien adéquat du produit.
Veillez conserver précieusement ce livret pour toute référence ultérieure.

## ▲AVERTISSEMENT

Cette machine à glace a été conçue pour des applications commerciales ; elle ne peut être utilisée qu'aux fins auxquelles elle est expressément destinée.

Toute autre utilisation doit être considérée comme inappropriée et donc dangereuse. Le fabricant décline toute responsabilité pour les dégâts provoqués par une utilisation inappropriée, incorrecte et abusive.

**L'installation, et le transfert le cas échéant, doivent être effectués par un personnel qualifié**, conformément aux réglementations en vigueur et aux consignes du fabricant.

Veillez à ce que les ouvertures de ventilation de l'enceinte de l'appareil et de la structure intégrée ne soient pas obstruées.

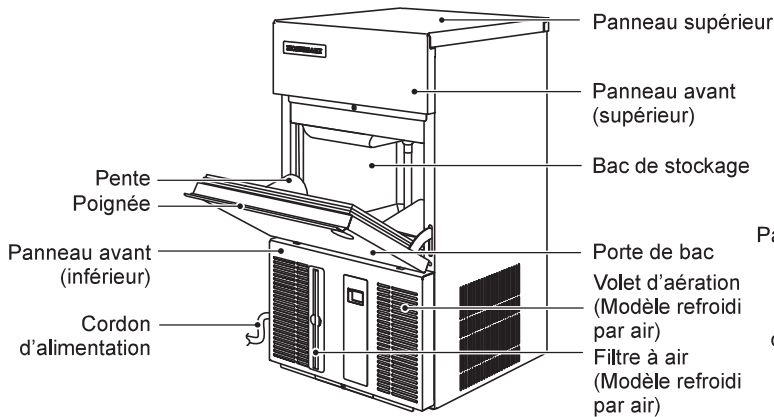
Pour accélérer le processus de décongélation, ne pas utiliser d'équipements mécaniques ni des méthodes autres que celles recommandées par le fabricant.

L'utilisation de tout appareil électrique implique le respect de certaines règles fondamentales. En particulier :

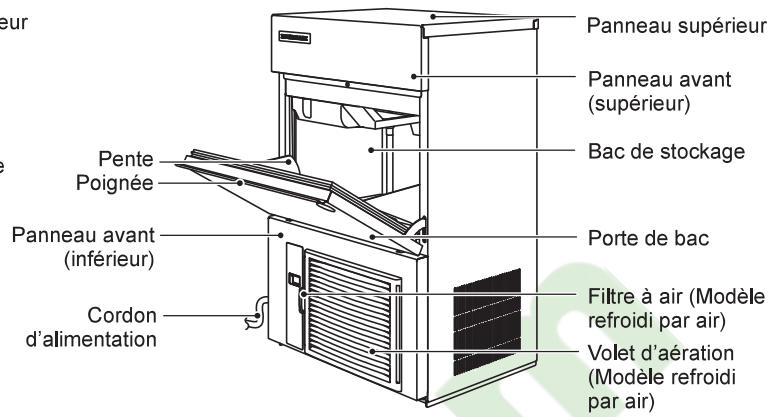
- \* En cas de forte humidité, les risques de court-circuit et d'électrocution augmentent. En cas de doute, débrancher la machine à glace.
- \* Ne pas endommager le cordon d'alimentation et ne pas tirer sur le cordon d'alimentation pour débrancher la machine à glace.
- \* Si le cordon d'alimentation est endommagé, il doit être remplacé par un cordon de rechange disponible auprès des centres de pièces détachées et d'entretien Hoshizaki.
- \* Ne pas toucher les pièces électriques ou les commutateurs avec les mains humides.
- \* Cette machine n'est pas prévue pour une utilisation par des personnes (y compris des enfants) aux capacités physiques, sensorielles ou mentales réduites, ou manquant d'expérience ou de connaissances. Elle peut cependant être utilisée par des enfants d'au moins 8 ans et des personnes aux capacités physiques, sensorielles ou mentales réduites, ou manquant d'expérience ou de connaissances, si une personne responsable de leur sécurité les surveille ou leur a indiqué les consignes d'utilisation de la machine.
- \* Les enfants ne doivent pas jouer avec la machine.
- \* Le nettoyage et l'entretien régulier ne doivent pas être effectués par des enfants sans surveillance.
- \* Ne pas tenter de modifier la machine à glace. Cet appareil ne peut être démonté ou réparé que par du personnel qualifié.

## I. CONSIGNES D'INSTALLATION

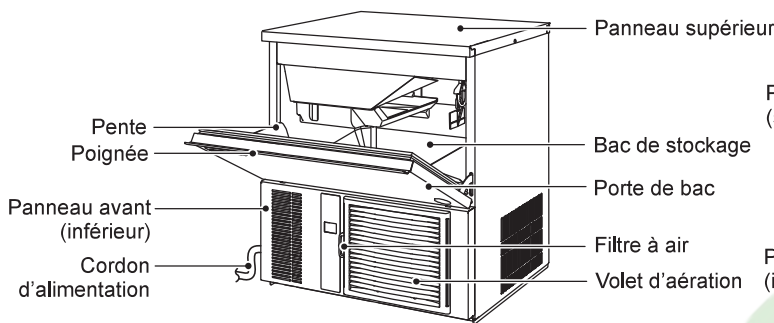
### 1. CONSTRUCTION



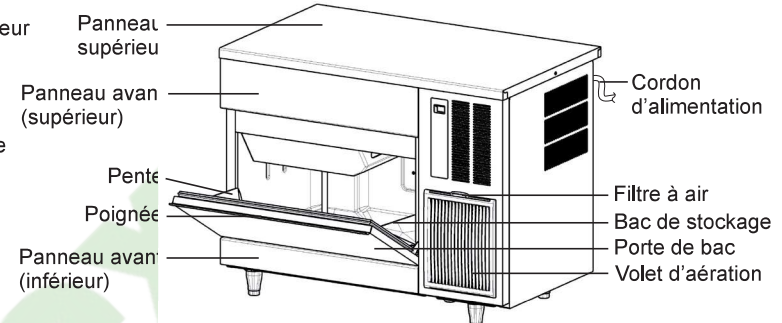
[IM-21CNE-HC, 30CNE-HC]



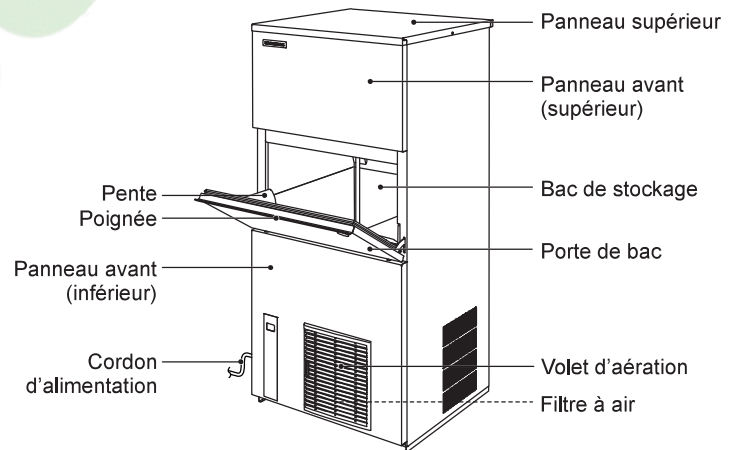
[IM-45NE-HC, 65NE-HC, 100NE/WNE-HC, 130NE/WNE-HC]



[IM-45CNE-HC]



[IM-100CNE-HC]



[IM-240NE/WNE-HC]

### 2. ACCESSOIRES

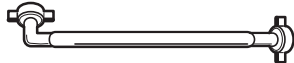
	IM-21CNE-HC	IM-30CNE-HC IM-45CNE-HC IM-45NE-HC IM-65NE-HC IM-100NE-HC IM-130NE-HC IM-240NE-HC	IM-100CNE-HC	IM-100WNE-HC IM-130WNE-HC IM-240WNE-HC
CD	1	1	1	1
Pelle à glaçons	1	1	1	1
Tuyau d'arrivée	1	1	1	2
Tuyau de sortie	1	1	1	2
Mamelon 1/2-3/4	-	-	-	2
Pied	-	4	5	4
Capot de connecteur	1	1	1	1
Mamelon 3/4-3/4	-	-	1	-



CD



Pelle à glaçons



Tuyau d'arrivée



Tuyau de sortie



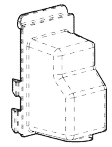
Mamelon  
3/4-3/4



Mamelon  
1/2-3/4



Pied



Capot de  
connecteur

## 3. DEBALLAGE

### ⚠ AVERTISSEMENT

Les enfants doivent être tenus à l'écart des éléments d'emballage (sacs en plastique et polystyrène expansé) car ils constituent des sources de danger potentielles.

### ⚠ ATTENTION

Ne pas soulever ou déplacer le carton en utilisant les sangles d'emballage.

En cas de déplacement de l'appareil à la main, tenir le bas de l'appareil.

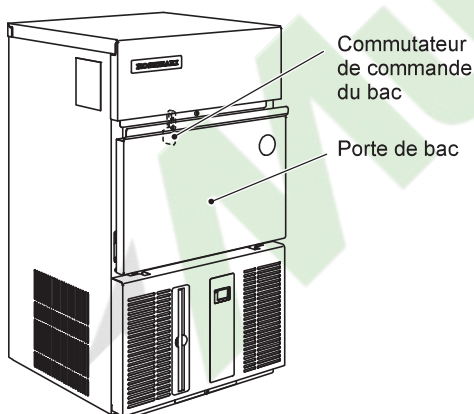
Toujours porter des gants de protection lors du transport de l'appareil.

Lors de la manipulation du carton ou de l'appareil déballé, travailler à deux pour éviter les blessures.

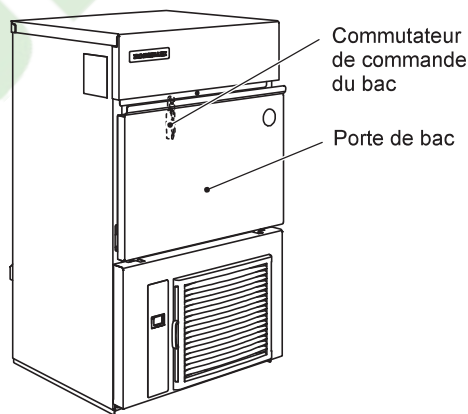
### AVIS

Enlever le carton de transport, le ruban adhésif et le matériel d'emballage. S'il reste des matériaux d'emballage dans la machine à glace, elle ne fonctionnera pas correctement.

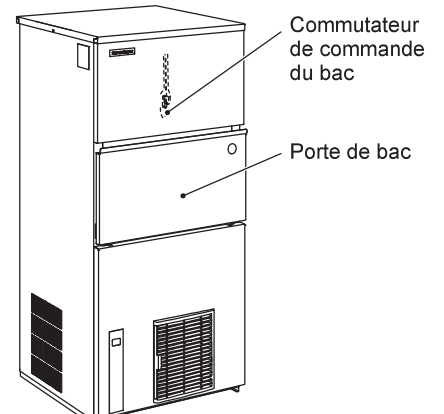
- 1) Une fois les matériaux d'emballage enlevés, vérifier que la machine à glace est en bon état. En cas de doute, ne pas utiliser la machine à glace et faire appel à un technicien qualifié.
- 2) Retirer le ruban d'expédition maintenant la porte et le panneau avant.
- 3) Retirer le film protecteur en plastique recouvrant l'extérieur. Si la machine à glace a été exposée au soleil ou à la chaleur, la laisser refroidir avant d'enlever le film.
- 4) Retirer le paquet d'accessoires. Vérifier le contenu conformément à « 2. ACCESSOIRES ».
- 5) Retirer le ruban d'expédition retenant le commutateur de commande de bac en ouvrant la porte du bac et en saisissant le ruban.



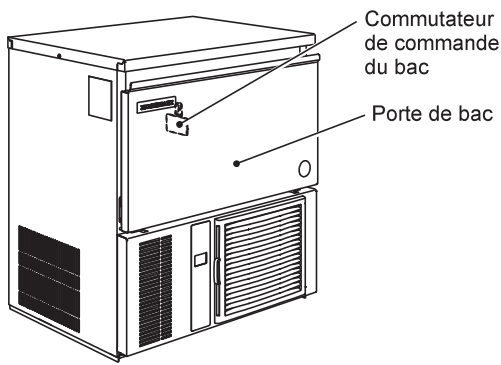
[IM-21CNE-HC, 30CNE-HC]



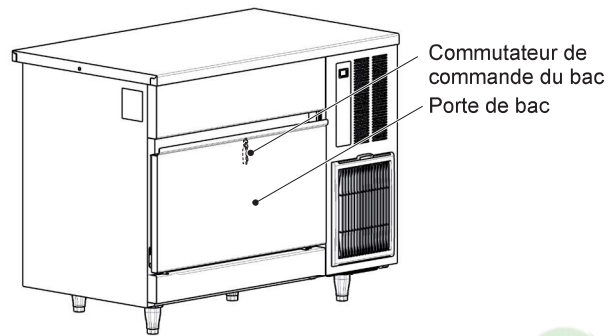
[IM-45NE-HC, 65NE-HC, 100NE/WNE-HC, 130NE/WNE-HC]



[IM-240NE/WNE-HC]



[IM-45CNE-HC]



[IM-100CNE-HC]

## 4. EMPLACEMENT

### ⚠ AVERTISSEMENT

Cette machine à glace n'est pas conçue pour être utilisée à l'extérieur.

La machine à glace ne doit pas être placée à proximité de fours, de grills ou de toute autre source de chaleur importante.

Cet appareil n'est pas conçu pour être installé dans une zone où un jet d'eau peut être utilisé.

### ⚠ ATTENTION

La machine à glace doit avoir une assise solide et horizontale.

### AVIS

Ne rien poser sur le dessus de la machine ni devant le volet d'aération.

### IMPORTANT

La température ambiante normale de service doit être comprise entre 1 °C et 40 °C. Le raccordement à l'eau est uniquement pour de l'eau froide. Le fonctionnement de la machine en dehors de ces plages de températures, pendant des durées prolongées, risque d'affecter la capacité de production de glaçons.

Pour assurer une bonne circulation d'air et faciliter les opérations de maintenance ou d'entretien, prévoir le dégagement indiqué ci-dessous.

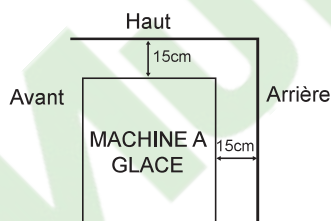
[IM-21CNE-HC, 30CNE-HC, 45CNE-HC, 240WNE-HC]

[IM-240NE-HC]

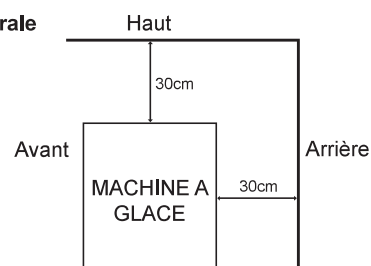
\* Aucun espace requis sur les côtés

Vue latérale

\* Aucun espace requis sur les côtés

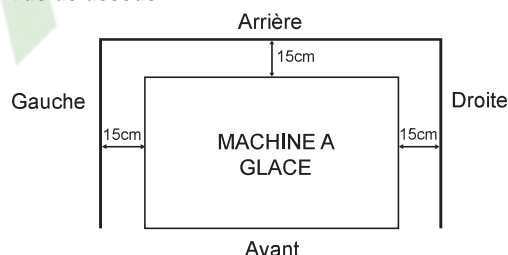


Vue latérale

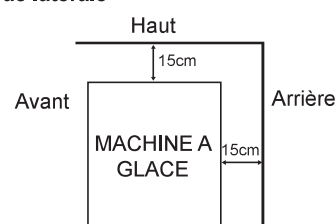


[IM-45NE-HC, 65NE-HC, 100CNE-HC, 100NE/WNE-HC, 130NE/WNE-HC]

Vue de dessus



Vue latérale



Dans certains environnements très humides, de la condensation peut se former à l'intérieur de la machine et couler sur le sol. Ne pas installer l'appareil sur un sol que l'eau pourrait endommager.

Eviter toute exposition prolongée de l'appareil à la lumière directe du soleil.

## 5. INSTALLATION

### ⚠ ATTENTION

Une installation incorrecte de la machine peut avoir des conséquences néfastes sur les personnes, les animaux ou d'autres choses, pour lesquelles le fabricant ne peut être tenu responsable.

\* Placer la machine à glace à l'endroit choisi pour son installation.

[Sauf IM-21CNE-HC]

\* Lors de la fixation des pieds réglables (accessoire), mettre l'appareil de niveau dans les deux sens : à la fois de gauche à droite et d'avant en arrière.

## 6. BRANCHEMENTS ELECTRIQUES

### ⚠ AVERTISSEMENT

#### CET APPAREIL DOIT ETRE MIS A LA TERRE

Cette machine à glace doit avoir une mise à la terre qui respecte les réglementations électriques nationales et locales.

Pour éviter tout risque de décharges électriques graves ou de dégâts importants à l'appareil, installer un câble de mise à la terre approprié sur la machine.

Avant toute opération de maintenance, réparation ou nettoyage, débrancher l'alimentation électrique.

\* Cet appareil nécessite une alimentation 220 - 240 V CA 10 A [IM-21CNE-HC, 30CNE-HC, 45CNE/NE-HC, 65NE-HC, 100CNE/NE/WNE-HC, 130NE/WNE-HC] / 13 A [IM-240NE/WNE-HC] séparée. L'alimentation électrique doit être protégée par un disjoncteur approprié.

\* Le fusible du boîtier de commande principal est étalonné à 5 A et ne doit être remplacé que par un technicien d'entretien qualifié.

\* En général, l'installation nécessite une autorisation pour travaux électriques et les services d'un électricien qualifié.

#### Pour le Royaume-Uni et la République d'Irlande uniquement

\* Les fils du cordon d'alimentation électrique présentent le codage couleur suivant :

Vert et jaune = Terre

Bleu = Neutre

Marron = Sous tension

La couleur des conducteurs du cordon d'alimentation de cet appareil peut ne pas correspondre au marquage couleur des bornes de votre fiche ; dans ce cas, procéder comme suit :

Le fil vert et jaune doit être relié à la borne de la fiche repérée par la lettre E ou par le symbole  $\perp$  ou la couleur verte ou verte et jaune. Le conducteur bleu doit être raccordé à la borne portant la lettre N ou de couleur noire. Le conducteur marron doit être raccordé à la borne portant la lettre L ou de couleur rouge.

\* Si la fiche livrée avec la machine ne convient pas aux prises du local d'installation, l'enlever (la couper s'il s'agit d'une fiche moulée) et en monter une autre.

Une fiche non recâblable enlevée doit être jetée. Elle ne peut en aucun cas être réutilisée. L'insertion de ce type de fiche dans une autre prise présente des risques graves de décharges électriques.

\* La fiche non recâblable ne doit jamais être utilisée sans un protège-fusible.

Le numéro de référence du protège-fusible amovible est imprimé sur la fiche. Utiliser cette référence pour toute commande de pièce.

Il est possible de se procurer des protège-fusibles de remplacement auprès des centres de pièces détachées et d'entretien Hoshizaki.

La capacité nominale des fusibles doit être de 13 A ; ils doivent être agréés selon la norme BS 1362.

## 7. BRANCHEMENTS D'ARRIVEE ET DE VIDANGE D'EAU

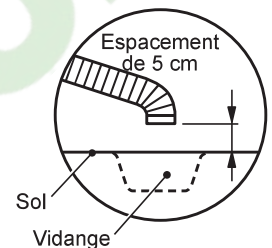
### ⚠ AVERTISSEMENT

Raccorder à l'arrivée d'eau potable froide uniquement.

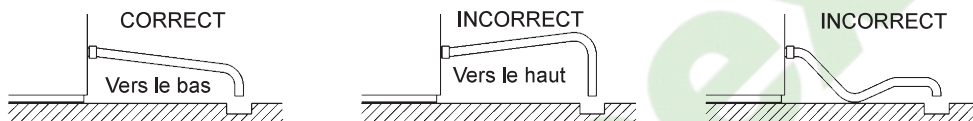
- \* Les raccordements à l'alimentation en eau du réseau doivent être réalisés conformément aux exigences nationales en vigueur des réglementations sur l'alimentation en eau ou les raccords.
- \* L'eau utilisée pour fabriquer la glace doit être de l'eau potable. Lorsque la qualité de l'eau peut entraîner la formation d'un dépôt calcaire :
  - L'installation d'un filtre externe ou d'un adoucisseur est recommandée. Contacter le spécialiste en traitement de l'eau ou le réparateur Hoshizaki le plus proche.
  - Le passage en mode « vidange complète » est recommandé. Contacter le réparateur Hoshizaki le plus proche.
- \* La pression de l'alimentation en eau doit être de 0,07 MPa (0,7 bar) au minimum et de 0,8 MPa (8 bar) au maximum. Si la pression dépasse 0,8 MPa (8 bar), utiliser un réducteur de pression approprié. Ne PAS réduire le débit du robinet d'alimentation.
- \* Dans certaines régions, il est possible qu'il faille obtenir une autorisation pour effectuer les travaux de plomberie et avoir recours aux services d'un plombier autorisé.

- \* La vidange d'eau de la machine à glace s'effectue par gravité : le tuyau de vidange doit donc avoir une inclinaison ou une hauteur de chute suffisantes.

- \* Les tuyaux de vidange ne doivent pas être reliés directement à l'égout. L'extrémité des tuyaux de vidange de la machine à glace doit être espacée d'au moins 5 cm à la verticale par rapport à l'évacuation de sol.



- \* Pour éviter un refoulement à l'intérieur du bac de stockage, poser le tuyau de vidange comme illustré.



- \* Sur les modèles avec refroidissement par eau, la pose d'un clapet anti-refoulement peut être nécessaire dans le circuit d'eau de refroidissement.

- \* Veiller à utiliser les jeux de tuyaux neufs fournis avec l'appareil. Ne pas réutiliser les anciens jeux de tuyaux.

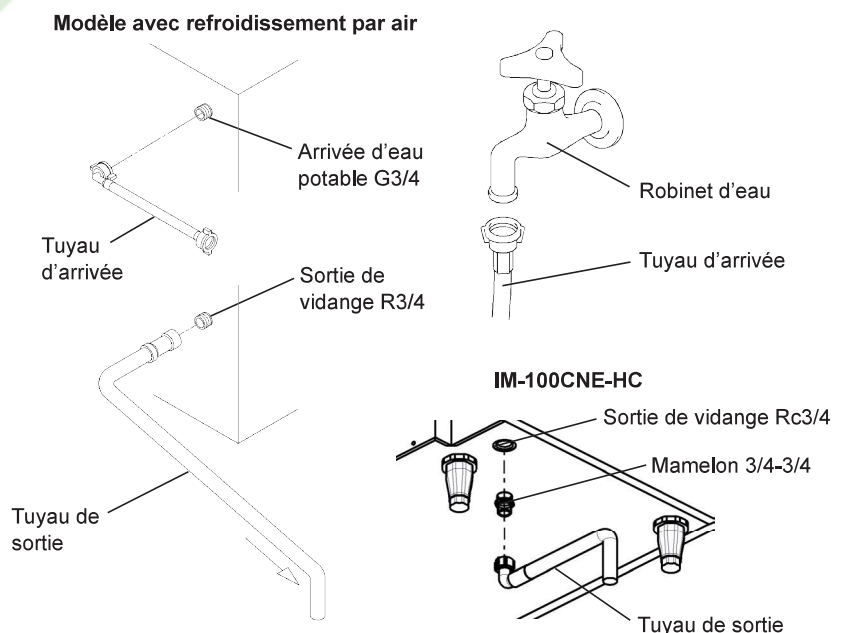
### [Modèle avec refroidissement par air]

- 1) Raccorder l'extrémité coudée du tuyau d'arrivée d'eau (accessoire) au raccord G3/4 à l'arrière de la machine à glace comme indiqué en veillant à placer correctement la rondelle d'étanchéité en caoutchouc. Serrer manuellement de manière à obtenir un raccordement étanche.

- 2) Fixer l'autre extrémité du flexible d'arrivée au robinet d'eau, en veillant à ce que la rondelle soit correctement positionnée, avant de serrer manuellement comme ci-dessus. Il est prudent d'avoir un robinet d'arrêt à proximité.

- 3) [Sauf IM-100CNE-HC]

Serrer à la main le tuyau de vidange gris (accessoire) au raccord R3/4 à l'arrière de la machine à glace comme indiqué en veillant à placer correctement la rondelle d'étanchéité en caoutchouc pour obtenir un joint étanche. Le tuyau peut être coupé à la longueur voulue en fonction de la position de vidange principale.





# FRANCAIS

[IM-100CNE-HC]

A l'aide d'une clé adaptée, serrer le mamelon 3/4-3/4 (accessoire) sur le raccord Rc3/4 au bas de la machine à glace comme indiqué. Utiliser du ruban PTFE et/ou du mastic d'étanchéité adéquat pour former un joint étanche.

Remarque : Les produits d'étanchéité pour joints doivent être approuvés et adaptés à une utilisation avec de l'eau potable.

Serrer à la main le tuyau de vidange gris (accessoire) sur le mamelon 3/4-3/4 comme indiqué en veillant à placer correctement la rondelle d'étanchéité en caoutchouc pour obtenir un joint étanche. Le tuyau peut être coupé à la longueur voulue en fonction de la position de vidange principale.

## [Modèle avec refroidissement par eau]

\* Hoshizaki recommande de raccorder le condenseur refroidi par eau à un système de refroidissement du type à circuit fermé de recyclage comportant une tour, un refroidisseur d'eau ou élément assimilé. L'approvisionnement en eau doit se faire au moyen d'une vanne à boulet/d'un réservoir de barrage.

\* Le raccordement d'un condenseur refroidi par eau à une alimentation en eau secteur (potable) n'affecte pas la performance de la machine mais provoque une utilisation/un gaspillage d'eau important que nous ne recommandons pas.

\* Faire appel à un plombier agréé pour s'assurer que l'installation est correcte.

\* Les branchements doivent être effectués en respectant les réglementations nationales ou locales en vigueur.

## [a] Branchements standard conformes aux réglementations du WRAS au Royaume-Uni.

\* En cas de sélection d'une tour de refroidissement, la sélectionner en tenant compte des valeurs crêtes suivantes relatives au flux thermique du condenseur :

Modèle	IM-100/130W:	1165W
	IM-240W :	5235 W

\* Le diamètre minimal des tuyaux entre la tour de refroidissement et la machine à glace doit être de 20 mm afin de réduire la perte de pression même si les raccords de la machine ont un diamètre de 13 mm.

\* La perte de pression dans le circuit d'eau à l'intérieur de la machine est de 5 à 6 m lorsque le débit de l'eau de refroidissement est de 4 à 5 l/min.

\* Sélectionner une pompe de circulation selon les valeurs de flux thermique indiquées ci-dessus.

\* Ne pas utiliser de pompe en cascade car le régulateur d'eau modifiera le flux et l'arrêtera lors du dégivrage.

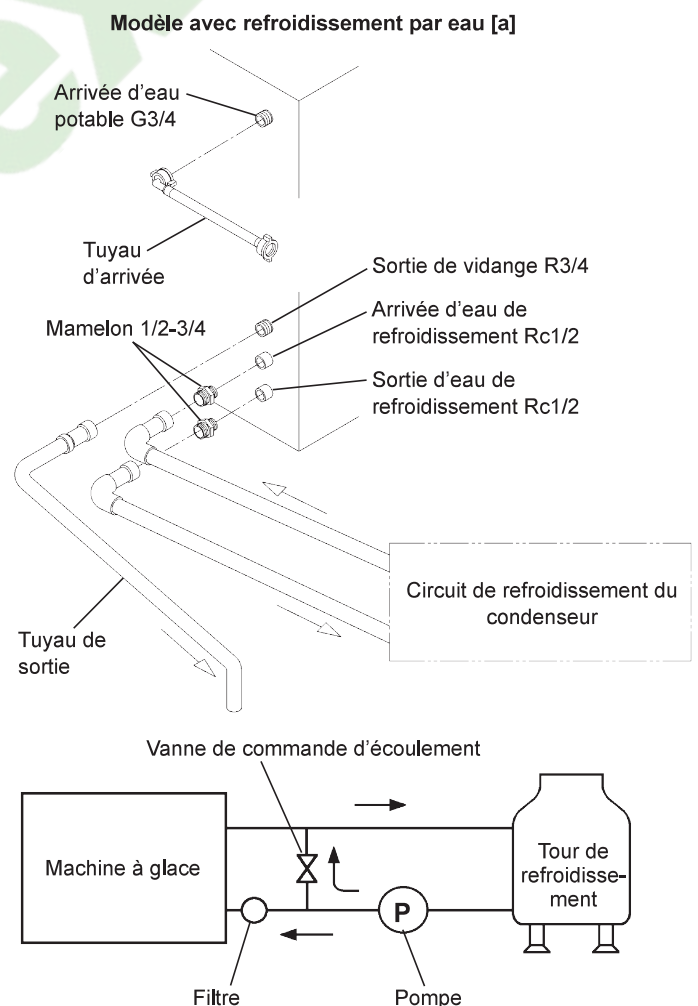
## [Branchements de la machine à glace]

1) Raccorder l'extrémité coudée du tuyau d'arrivée d'eau (accessoire) au raccord G3/4 à l'arrière de la machine à glace comme indiqué en veillant à placer correctement la rondelle d'étanchéité en caoutchouc. Serrer manuellement de manière à obtenir un raccordement étanche.

2) Fixer l'autre extrémité du flexible d'arrivée au robinet d'eau, en veillant à ce que la rondelle soit correctement positionnée, avant de serrer manuellement comme ci-dessus.

Remarque : En cas de filtrage ou de traitement de l'eau, veiller à ce que seule la section de fabrication de glace soit raccordée à l'alimentation en eau traitée, et non le condenseur.

3) Raccorder le tuyau gris de vidange (accessoire) au raccord R3/4 à l'arrière de la machine à glace comme indiqué, en contrôlant le placement correct de la rondelle d'étanchéité en caoutchouc



avant de serrer le joint manuellement. Le tuyau peut être coupé à la longueur voulue en fonction de la position de vidange principale.

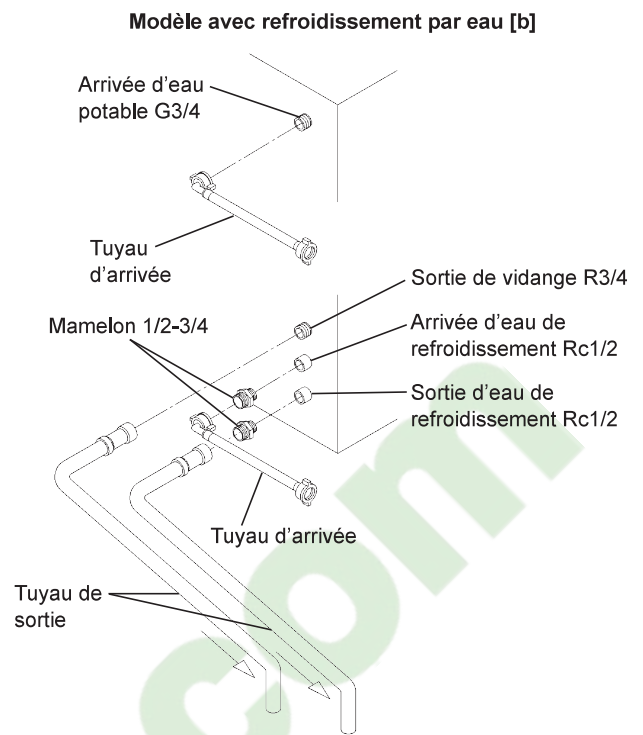
- 4) A l'aide d'une clé adaptée, serrer les mamelons 1/2-3/4 (accessoire) sur les raccords Rc1/2 à l'arrière de la machine à glace comme indiqué. Utiliser du ruban PTFE et/ou du mastic d'étanchéité adéquat pour former un joint étanche.

Remarque : Les produits d'étanchéité pour joints doivent être approuvés et adaptés à une utilisation avec de l'eau potable.

- 5) Raccorder le circuit de refroidissement du condenseur à l'extrémité libre des mamelons 1/2-3/4 comme indiqué à l'aide d'un tuyau rigide adapté.

**[b] Branchements conformes à des réglementations autres que celles du WRAS à l'aide des tuyaux accessoires.**

- 1) Suivre les consignes des paragraphes 1) à 4) figurant sous le point [a].
- 2) Pour les branchements du condenseur, utiliser les tuyaux accessoires livrés et effectuer les mêmes branchements qu'aux paragraphes 1) à 3) du point [a] ci-dessus avec l'extrémité libre des mamelons 1/2-3/4 comme indiqué.

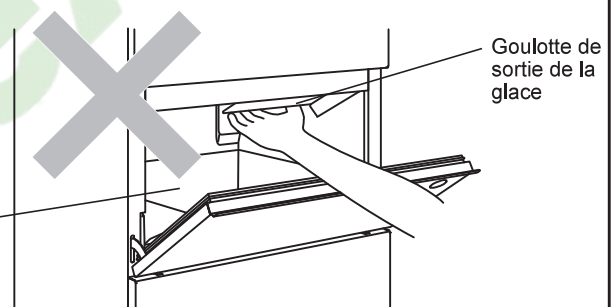


## II. CONSIGNES D'UTILISATION

### ⚠ ATTENTION

Ne pas mettre les mains dans la partie arrière du bac de stockage ni dans la goulotte de sortie de la glace sur le haut du bac de stockage. De la glace risque de tomber de la machine, un bloc dur de glace peut brusquement se rompre, ou le mécanisme de fabrication de la glace peut brusquement bouger, et entraîner des blessures.

Bac de stockage



### AVIS

Toutes les pièces sont réglées en usine. Tout mauvais réglage risque de provoquer une panne.

Après avoir arrêté l'appareil, attendre au moins 3 minutes avant de le remettre sous tension pour éviter d'endommager le compresseur.

### ⚠ HYGIENE

Cette machine à glace est conçue pour produire de la glace alimentaire. Pour la maintenir dans un parfait état d'hygiène :

- \* Se laver les mains avant d'extraire la glace. Utiliser la pelle en plastique (accessoire) prévue à cet effet.
- \* Le bac de stockage est destiné uniquement à la glace. Ne conserver rien d'autre dans ce bac, et ne pas y utiliser d'autres équipements électriques.
- \* Avant d'utiliser la machine, nettoyer le bac de stockage (voir « III. 1. NETTOYAGE »).
- \* Veiller à la propreté de la pelle. La nettoyer en utilisant un produit nettoyant neutre et la rincer soigneusement.
- \* Une fois la glace retirée, fermer la porte pour éviter que des saletés, de la poussière ou des insectes ne s'introduisent dans le bac de stockage.

## 1. MISE EN MARCHÉ

L'installateur met généralement la machine à glace en service pour mettre en route la production automatique de glace. Afin de garantir un fonctionnement en continu, s'assurer que :

# FRANCAIS

- \* Le robinet d'arrivée d'eau est ouvert et
- \* La machine à glace est branchée sur l'alimentation électrique.

## 2. PREPARATION DU DISTRIBUTEUR DE GLACE EN VUE D'UN ENTREPOSAGE DE LONGUE DUREE

### AVIS

La machine à glace ne fonctionnera pas aux températures au-dessous de zéro. Pour prévenir tout dommage au niveau de la conduite d'alimentation en eau, vidanger la machine à glace lorsque la température de l'air est inférieure à zéro.

### ▲HYGIENE

En cas de mise hors tension de la machine à glace pendant au moins deux jours, la vidanger pour éviter une contamination du circuit d'eau.

- 1) Débrancher la machine à glace ou couper l'alimentation.
- 2) Fermer le robinet d'eau et retirer le tuyau d'arrivée.
- 3) Retirer toute la glace se trouvant dans le bac de stockage et nettoyer le bac.
- 4) Faites effectuer la vidange de la machine à glace par un technicien qualifié.

## III. ENTRETIEN

### 1. NETTOYAGE

#### ▲AVERTISSEMENT

Avant toute opération de nettoyage ou d'entretien, débrancher l'alimentation électrique de la machine à glace.

Cet appareil ne doit pas être nettoyé à l'aide d'un jet d'eau.

#### ▲ATTENTION

En cas d'utilisation d'un produit neutre ou d'hypochlorite de sodium, bien lire et comprendre les consignes fournies pour éviter des problèmes de santé potentiels.

#### AVIS

Faire nettoyer et désinfecter le système d'eau de la machine à glace par un technicien qualifié au moins deux fois par an et faire vérifier et nettoyer le condenseur au moins une fois par an.

Afin d'éviter tout dommage possible, ne nettoyez pas les pièces en plastique avec de l'eau à plus de 40 °C ou dans un lave-vaisselle.

#### [a] Extérieur de la machine et du bac

Essuyer l'extérieur au moins une fois par semaine à l'aide d'un chiffon doux et propre. Pour éliminer les traces de graisse ou les salissures, utiliser un chiffon imbibé d'un produit de nettoyage neutre.

#### [b] Nettoyage/désinfection de la pelle et de la poignée du bac de stockage (quotidiennement)

- 1) Mélanger 1 litre d'eau avec 4 ml de solution d'hypochlorite de sodium à 5,25 % dans un récipient adapté ou utiliser le désinfectant Hoshizaki en suivant les instructions d'utilisation du produit.
- 2) Plonger la pelle dans la solution pendant plus de 3 minutes. Rincer à fond et agiter pour éliminer l'excédent de liquide.  
  
Remarque : le séchage à l'aide d'un chiffon risque de provoquer une nouvelle contamination.
- 3) Utiliser un produit neutre pour nettoyer la poignée du bac de stockage. Rincer soigneusement.
- 4) Imbiber un chiffon propre de solution désinfectante et essuyer la poignée. Rincer avec de l'eau propre et sécher à l'aide d'un chiffon propre.

## [c] Nettoyage/désinfection de l'intérieur du bac de stockage (hebdomadairement)

- 1) Ouvrir la porte du bac de stockage et retirer toute la glace.
- 2) Laver le revêtement du bac à l'aide d'un produit nettoyant neutre et non abrasif. Rincer soigneusement.
- 3) Imbiber un chiffon propre de produit nettoyant neutre et essuyer les deux côtés de la pente et la surface intérieure de la porte. Enlever le produit nettoyant avec un chiffon propre et humide.
- 4) Mélanger 5 litres d'eau avec 18 ml de solution d'hypochlorite de sodium à 5,25 % dans un récipient adapté ou utiliser le désinfectant Hoshizaki en suivant les instructions d'utilisation du produit.
- 5) Imbiber une éponge ou un chiffon propre de solution et essuyer le revêtement du bac, la porte du bac et la pente.
- 6) Le reste de la solution peut être utilisé pour désinfecter les ustensiles.

Remarque : Après désinfection, ne pas sécher ni rincer. Laisser sécher à l'air.

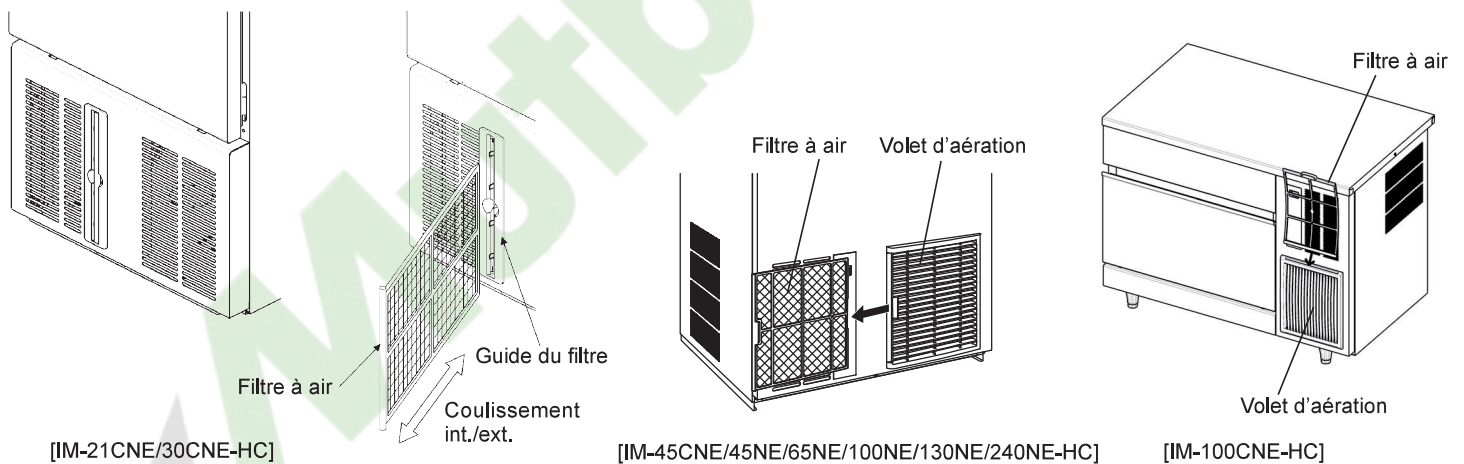
## [d] Filtre à air (Modèle avec refroidissement par air uniquement)

Des filtres à air en plastique permettent de filtrer les impuretés et la poussière de l'air, et empêchent l'obturation du condenseur. En cas de colmatage des filtres, les performances de la machine à glace seront affectées. Déposer et nettoyer le(s) filtre(s) à air au moins deux fois par mois :

- 1) Retirez le filtre à air du guide du filtre [IM-21CNE/30CNE-HC] ou du volet d'aération [IM-45CNE/45NE/65NE/100CNE/100NE/130NE/240NE-HC] en le faisant coulisser.
- 2) Utiliser un aspirateur pour nettoyer le filtre à air. En cas de colmatage important, laver le filtre à air en utilisant une solution d'eau chaude et de produit nettoyant neutre.
- 3) Rincer et sécher soigneusement le filtre à air.

### AVIS

Après nettoyage, veiller à remettre en place le filtre à air.



## 2. AVANT D'APPELER UN REPARATEUR

### ⚠ AVERTISSEMENT

Veiller à ne pas endommager le circuit réfrigérant.

## [a] Affichage d'un code d'erreur

### ⚠ AVERTISSEMENT

Si le code d'erreur « E » s'affiche à l'écran, cela peut indiquer une fuite de gaz. Ne pas toucher l'appareil. Ventiler la pièce et appeler immédiatement un réparateur.

# FRANCAIS

Code	Cause possible
E1	Erreur de congélation.
E2	Erreur de dégivrage.
EE	Autre erreur.
EF	Le capteur de gaz (si équipé) détecte les fuites de gaz.

## [b] Aucun affichage de code d'erreur

Si la machine à glace ne fonctionne pas correctement ou pas du tout et qu'aucun code d'erreur ne s'affiche à l'écran, effectuer les contrôles suivants avant d'appeler un réparateur :

- \* L'appareil est sous tension.
- \* Le robinet d'eau est ouvert.
- \* Le filtre à air est propre (modèle refroidi par air).
- \* Le flux du circuit d'eau de refroidissement est correct (modèle refroidi par eau).

Pour tout autre conseil ou assistance, contacter le réparateur Hoshizaki le plus proche de chez vous.

## [c] Aucun affichage de code d'erreur

Si le code d'alarme A1 ou A2 s'affiche, le capteur de gaz est peut-être défectueux. Contacter le réparateur Hoshizaki le plus proche.

## 3. MISE AU REBUT

Respecter les réglementations locales relatives à la mise au rebut de cet appareil et de son fluide frigorigène. Avant de mettre l'appareil au rebut, enlever la porte pour éviter qu'un enfant ne reste emprisonné.

Mise au rebut correcte de ce produit :

Ce symbole indique que ce produit ne doit pas être mis au rebut avec d'autres déchets ménagers dans l'UE. Pour empêcher que le dépôt non contrôlé de déchets ne nuise à l'environnement ou à la santé, recycler ce produit de manière responsable de sorte que les ressources matérielles soient réutilisées durablement. Pour se débarrasser de l'appareil usagé, s'adresser aux services de collecte de déchets ou contacter le détaillant où le produit a été acheté. Ils peuvent prendre en charge ce produit et le recycler de manière respectueuse pour l'environnement.



## 4. GARANTIE

Hoshizaki garantit au propriétaire/à l'utilisateur d'origine que tous les produits portant la marque Hoshizaki seront exempts de tout défaut et/ou vice de fabrication au cours de la « période de garantie ». La garantie est valable deux ans à compter de la date d'installation.

La responsabilité de Hoshizaki aux termes de la garantie est limitée et exclut les interventions d'entretien de routine, de nettoyage, de maintenance essentielle et/ou les réparations découlant d'une utilisation abusive et d'installations non conformes aux directives de Hoshizaki.

Les réparations effectuées au titre de la garantie doivent être effectuées par un revendeur ou un réparateur agréé Hoshizaki utilisant des composants Hoshizaki d'origine.

Pour tout renseignement sur votre garantie et les agents de service agréés, veuillez prendre contact avec votre distributeur/fournisseur ou le centre de services Hoshizaki le plus proche :

### Europe, Moyen Orient, Afrique

Hoshizaki UK - Royaume-Uni, Irlande  
TEL: +44 845 456 0585  
FAX: +44 132 283 8331  
uksales@hoshizaki.co.uk

Hoshizaki Middle East - Moyen Orient  
TEL: +971 48 876 612  
FAX: +971 48 876 613  
sales@hoshizaki.ae

Hoshizaki Deutschland - Allemagne, Suisse, Autriche  
TEL: +49 2154 92810  
FAX: +49 2154 928128  
info@hoshizaki.de

Hoshizaki Benelux - Pays-Bas, Belgique, Luxembourg  
TEL: +31 85 018 83 70  
info@hoshizaki.nl

Hoshizaki France - France  
 TEL: +33 1 48 63 93 80  
 FAX: +33 1 48 63 93 88  
 info@hoshizaki.fr

Hoshizaki Europe B.V. - tous les autres pays européens et  
 Afrique  
 TEL: +31 20 6918499  
 FAX: +31 20 6918768  
 sales@hoshizaki.nl

Hoshizaki Iberia - Espagne, Portugal  
 TEL: +34 93 478 09 52  
 FAX: +34 93 478 08 00  
 info@hoshizaki.es

## Asie, Océanie

Hoshizaki Singapore  
 TEL: +65 6225 2612  
 FAX: +65 6225 3219

Hoshizaki Hong Kong  
 TEL: +852 2866-2108  
 FAX: +852 2866-2109

Hoshizaki Taiwan  
 TEL: +886 2 2706 8818  
 FAX: +886 2 2708 7999

Hoshizaki Lancer  
 TEL: +61 8 8268 1388  
 FAX: +61 8 8268 1978

## SPECIFICATIONS

Modèle	IM-21CNE-HC	IM-30CNE-HC	IM-45CNE-HC
Type	Refroidi par air, glace en cubes	Refroidi par air, glace en cubes	Refroidi par air, glace en cubes
Alimentation	1 phase 220 - 240 V 50 Hz	1 phase 220 - 240 V 50 Hz	1 phase 220 - 240 V 50 Hz
Consommation électrique	225 W	230 W	275 W
Production de glace par 24 h	23 kg (5 mm) / 25 kg (15 mm) (ambiante 10 °C, eau 10 °C)	25 kg (5 mm) / 30 kg (15 mm) (ambiante 10 °C, eau 10 °C)	40 kg (5 mm) / 46 kg (15 mm) (ambiante 10 °C, eau 10 °C)
Dimensions	398 mm (L) x 451 mm (P) x 695 mm (H)	398 mm (L) x 451 mm (P) x 695 mm (H)	633 mm (L) x 511 mm (P) x 690 mm (H)
Fluide frigorigène	R290, 55 g	R290, 65 g	R290, 70 g
Agent gonflant pour mousse d'isolation	sans HFC	sans HFC	sans HFC
Poids	Net : 34 kg (Brut : 39 kg)	Net : 34 kg (Brut : 39 kg)	Net : 45 kg (Brut : 55 kg)
Température ambiante	1 à 40 °C	1 à 40 °C	1 à 40 °C
Température de l'alimentation en eau	5 à 35 °C	5 à 35 °C	5 à 35 °C
Pression de l'alimentation en eau	0,07 - 0,8 MPa (0,7 - 8 bar)	0,07 - 0,8 MPa (0,7 - 8 bar)	0,07 - 0,8 MPa (0,7 - 8 bar)
Plage de tension	Tension nominale ± 6%	Tension nominale ± 6%	Tension nominale ± 6%

Modèle	IM-45NE-HC	IM-65NE-HC	IM-100CNE-HC
Type	Refroidi par air, glace en cubes	Refroidi par air, glace en cubes	Refroidi par air, glace en cubes
Alimentation	1 phase 220 - 240 V 50 Hz	1 phase 220 - 240 V 50 Hz	1 phase 220 - 240 V 50 Hz
Consommation électrique	275 W	320 W	500W
Production de glace par 24 h	40 kg (5 mm) / 46 kg (15 mm) (ambiante 10 °C, eau 10 °C)	52 kg (5 mm) / 62 kg (15 mm) (ambiante 10 °C, eau 10 °C)	92 kg (5 mm) / 105 kg (15 mm) (ambiante 10 °C, eau 10 °C)
Dimensions	503 mm (L) x 456 mm (P) x 840 mm (H)	633 mm (L) x 506 mm (P) x 840 mm (H)	1004 mm (L) x 600 mm (P) x 800 mm (H)
Fluide frigorigène	R290, 70 g	R290, 110 g	R290, 125 g
Agent gonflant pour mousse d'isolation	sans HFC	sans HFC	sans HFC
Poids	Net : 44 kg (Brut : 50 kg)	Net : 50 kg (Brut : 60 kg)	Net : 77 kg (Brut : 88kg)
Température ambiante	1 à 40 °C	1 à 40 °C	1 à 40 °C
Température de l'alimentation en eau	5 à 35 °C	5 à 35 °C	5 à 35 °C
Pression de l'alimentation en eau	0,07 - 0,8 MPa (0,7 - 8 bar)	0,07 - 0,8 MPa (0,7 - 8 bar)	0,07 - 0,8 MPa (0,7 - 8 bar)
Plage de tension	Tension nominale ± 6%	Tension nominale ± 6%	Tension nominale ± 6%

# FRANCAIS

Modèle	IM-100NE-HC	IM-130NE-HC	IM-240NE-HC
Type	Refroidi par air, glace en cubes	Refroidi par air, glace en cubes	Refroidi par air, glace en cubes
Alimentation	1 phase 220 - 240 V 50 Hz	1 phase 220 - 240 V 50 Hz	1 phase 220 - 240 V 50 Hz
Consommation électrique	555 W	615 W	930 W
Production de glace par 24 h	92 kg (5 mm) / 105 kg (15 mm) (ambiante 10 °C, eau 10 °C)	110 kg (5 mm) / 120 kg (15 mm) (ambiante 10 °C, eau 10 °C)	195 kg (5 mm) / 210 kg (15 mm) (ambiante 10 °C, eau 10 °C)
Dimensions	704 mm (L) x 506 mm (P) x 1200 mm (H)	704 mm (L) x 506 mm (P) x 1200 mm (H)	704 mm (L) x 665 mm (P) x 1510 mm (H)
Fluide frigorigène	R290, 120 g	R290, 120 g	R290, 147 g
Agent gonflant pour mousse d'isolation	sans HFC	sans HFC	sans HFC
Poids	Net : 76 kg (Brut : 84 kg)	Net : 76 kg (Brut : 84 kg)	Net : 111 kg (Brut : 122 kg)
Température ambiante	1 à 40 °C	1 à 40 °C	1 à 40 °C
Température de l'alimentation en eau	5 à 35 °C	5 à 35 °C	5 à 35 °C
Pression de l'alimentation en eau	0,07 - 0,8 MPa (0,7 - 8 bar)	0,07 - 0,8 MPa (0,7 - 8 bar)	0,07 - 0,8 MPa (0,7 - 8 bar)
Plage de tension	Tension nominale ± 6%	Tension nominale ± 6%	Tension nominale ± 6%

Modèle	IM-100WNE-HC	IM-130WNE-HC	IM-240WNE-HC
Type	Refroidi par eau, glace en cubes	Refroidi par eau, glace en cubes	Refroidi par eau, glace en cubes
Alimentation	1 phase 220 - 240 V 50 Hz	1 phase 220 - 240 V 50 Hz	1 phase 220 - 240 V 50 Hz
Consommation électrique	465 W	550 W	810 W
Production de glace par 24 h	80 kg (5 mm) / 90 kg (15 mm) (ambiante 10 °C, eau 10 °C)	100 kg (5 mm) / 110 kg (15 mm) (ambiante 10 °C, eau 10 °C)	190 kg (5 mm) / 205 kg (15 mm) (ambiante 10 °C, eau 10 °C)
Dimensions	704 mm (L) x 506 mm (P) x 1200 mm (H)	704 mm (L) x 506 mm (P) x 1200 mm (H)	704 mm (L) x 665 mm (P) x 1510 mm (H)
Fluide frigorigène	R290, 147 g	R290, 147 g	R290, 147 g
Agent gonflant pour mousse d'isolation	sans HFC	sans HFC	sans HFC
Poids	Net : 74 kg (Brut : 82 kg)	Net : 74 kg (Brut : 82 kg)	Net : 120 kg (Brut : 131 kg)
Température ambiante	1 à 40 °C	1 à 40 °C	1 à 40 °C
Température de l'alimentation en eau	5 à 35 °C	5 à 35 °C	5 à 35 °C
Pression de l'alimentation en eau	0,07 - 0,8 MPa (0,7 - 8 bar)	0,07 - 0,8 MPa (0,7 - 8 bar)	0,07 - 0,8 MPa (0,7 - 8 bar)
Plage de tension	Tension nominale ± 6%	Tension nominale ± 6%	Tension nominale ± 6%

Remarque : Les caractéristiques techniques ci-dessus concernent les modèles de représentation.

## WICHTIGE SICHERHEITSHINWEISE

Dieses Handbuch enthält Hinweise, die Sie auf Situationen aufmerksam machen sollen, die Tod, schwere Verletzungen oder Geräteschäden verursachen können.

<b>▲WARNUNG</b>	Kennzeichnet eine gefährliche Situation, die, wenn sie nicht vermieden wird, zum Tod oder zu schweren Verletzungen führen kann.
<b>▲VORSICHT</b>	Kennzeichnet eine gefährliche Situation, die, wenn sie nicht vermieden wird, zu leichten oder mittleren Verletzungen führen kann.
<b>HINWEIS</b>	Kennzeichnet eine gefährliche Situation, die, wenn sie nicht vermieden wird, zu Geräteschäden führen kann.
<b>▲HYGIENE</b>	Kennzeichnet wichtige Maßnahmen für Hygiene und Lebensmittelsicherheit.
<b>WICHTIG</b>	Kennzeichnet wichtige Informationen zu Gebrauch und Pflege des Gerätes.

Das in diesem Eisbereiter verwendete HFC-freie Kältemittel (Propan) ist nicht ozonschädigend und ökologisch nachhaltig, und wirkt sich nur wenig auf die globale Erwärmung aus.

<b>▲WARNUNG</b>	
Der Eisbereiter dieses Gerätes enthält entflammbares Kältemittel; Installation, Handhabung, Wartung und Entsorgung dürfen deshalb nur von autorisierten Technikern ausgeführt werden.	
Das Kältemittel in diesem Eisbereiter ist entflammbar und im Kältesystem eingeschlossen. Obwohl das Kältemittel bei normalem Gebrauch nicht austritt, muss der Eisbereiter mit äußerster Sorgfalt gehandhabt werden, um das System in keiner Weise zu beschädigen.	
Falls das Kältesystem versehentlich beschädigt und dadurch Kältemittel freigesetzt wird:	
<ul style="list-style-type: none"> <li>* in der Nähe keine Funkenquelle erzeugen</li> <li>* in der Nähe keine elektrischen Schalter betätigen oder Stecker verwenden</li> <li>* kein offenes Feuer verwenden</li> <li>* den Bereich sofort durch Öffnen von Türen und/oder Fenstern lüften</li> <li>* den Kundendiensttechniker rufen</li> </ul>	
<b>WICHTIG</b>	
Diese Broschüre ist ein integraler und wesentlicher Bestandteil des Produkts und ist deshalb vom Benutzer aufzubewahren.	
Bitte lesen Sie die Hinweise und Warnungen sorgfältig durch, da sie wichtige Informationen für die sachgemäße Installation, einen langen, sicheren Gebrauch und die Wartung des Produkts enthalten.	
Bitte heben Sie diese Bedienungsanleitung auf, damit Sie bei Bedarf darauf zurückgreifen können.	



## ▲ WARNUNG

Dies ist ein Eisbereiter für den gewerblichen Einsatz, der ausschließlich für den vorgesehenen Zweck benutzt werden soll.

Jede andere Verwendung ist als Zweckentfremdung und somit als gefährlich anzusehen. Der Hersteller übernimmt keine Haftung oder Verantwortung für Schäden, die durch missbräuchliche, falsche oder unangemessene Verwendung verursacht werden.

**Installation und erforderliche Standortverlegungen sind von qualifiziertem Personal in Übereinstimmung mit geltenden Vorschriften nach Angaben des Herstellers auszuführen.**

Die Lüftungsöffnungen im Gerätegehäuse oder im Innern des Gerätes nicht blockieren.

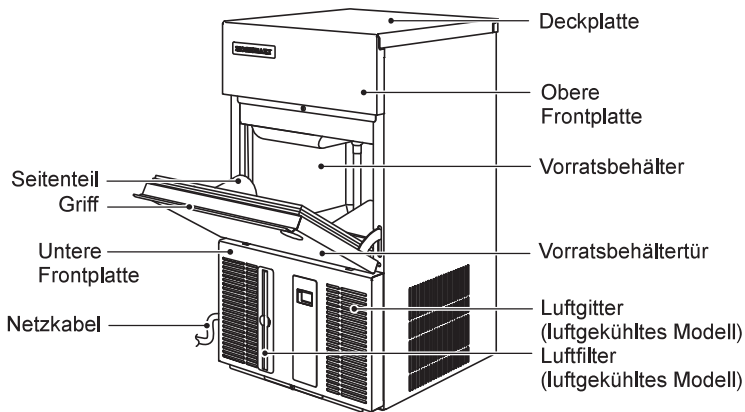
Zum Beschleunigen des Abtauvorgangs ausschließlich die vom Hersteller empfohlenen mechanischen Geräte oder anderen Mittel verwenden.

Wie bei allen Elektrogeräten sind stets einige grundsätzliche Vorsichtsmaßnahmen zu beachten. Insbesondere:

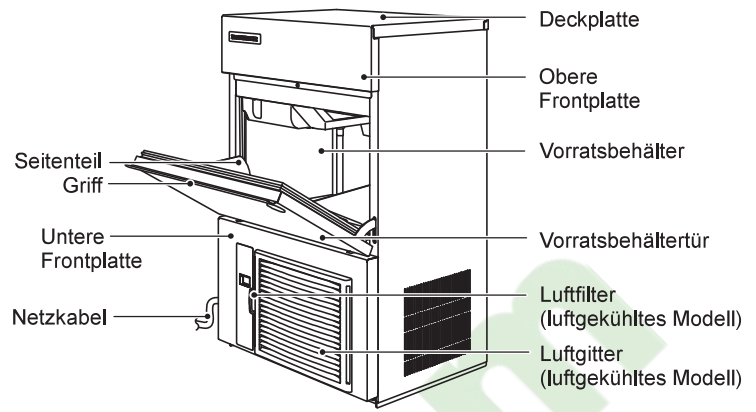
- \* Bei hoher Feuchtigkeit oder Nässe besteht Kurzschlussgefahr, wodurch ein elektrischer Schlag verursacht werden kann. Im Zweifelsfall ist der Netzstecker des Eisbereiters zu ziehen.
- \* Das Stromkabel nicht beschädigen und nicht daran ziehen, um den Eisbereiter vom Stromnetz zu trennen.
- \* Ist das Netzkabel beschädigt, muss es durch ein vom Hoshizaki-Ersatzteil-/Kundendienst erhältliches Ersatzkabel ersetzt werden.
- \* Die elektrischen Komponenten und die Schalter nicht mit feuchten Händen berühren.
- \* Dieses Gerät darf nicht von Personen (einschl. Kindern) benutzt werden, deren physische, sensorische oder mentale Fähigkeiten eingeschränkt sind oder über keine Erfahrung und kein Wissen verfügen. Es kann jedoch benutzt werden von Kindern ab 8 Jahren und Personen, deren physische, sensorische oder mentale Fähigkeiten eingeschränkt sind oder über keine Erfahrung und kein Wissen verfügen, wenn sie von einer für ihre Sicherheit verantwortlichen Person bei der Benutzung des Gerätes beaufsichtigt oder angeleitet werden.
- \* Kinder dürfen nicht mit dem Gerät spielen.
- \* Reinigungs- und Wartungsarbeiten dürfen von Kindern nicht unbeaufsichtigt durchgeführt werden.
- \* Am Eisbereiter dürfen keine Änderungen vorgenommen werden. Das Gerät darf nur von Fachpersonal zerlegt oder instand gesetzt werden.

## I. INSTALLATIONSANLEITUNG

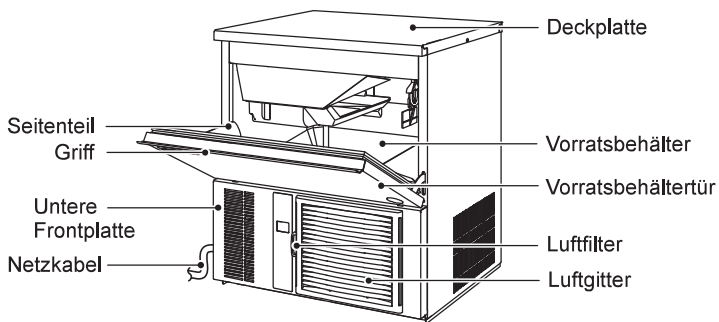
### 1. KONSTRUKTION



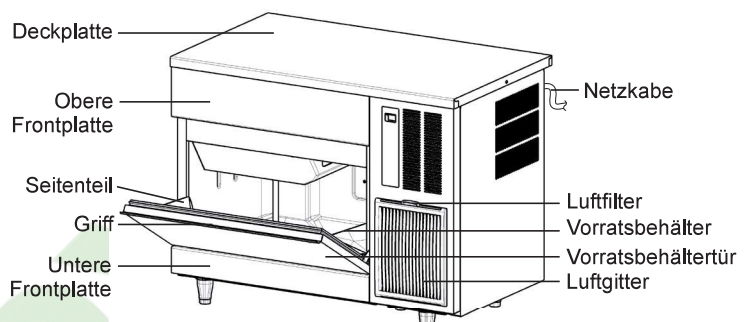
[IM-21CNE-HC, 30CNE-HC]



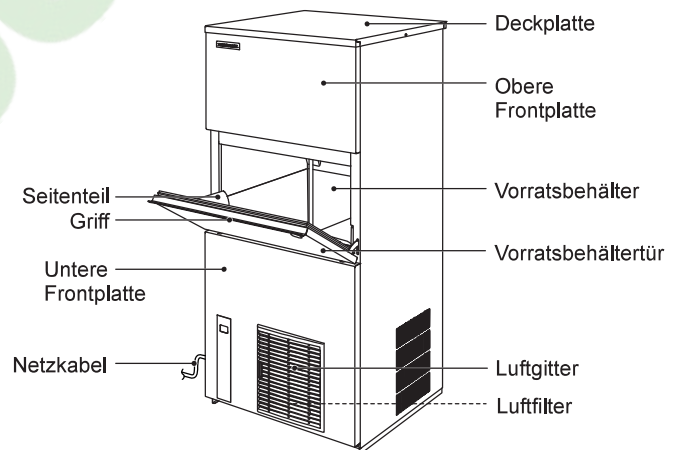
[IM-45NE-HC, 65NE-HC, 100NE/WNE-HC, 130NE/WNE-HC]



[IM-45CNE-HC]



[IM-100CNE-HC]



[IM-240NE/WNE-HC]

### 2. ZUBEHÖR

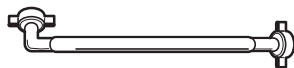
	IM-21CNE-HC	IM-30CNE-HC IM-45CNE-HC IM-45NE-HC IM-65NE-HC IM-100NE-HC IM-130NE-HC IM-240NE-HC	IM-100CNE-HC	IM-100WNE-HC IM-130WNE-HC IM-240WNE-HC
CD	1	1	1	1
Schaufel	1	1	1	1
Zulaufschlauch	1	1	1	2
Ablaufschlauch	1	1	1	2
1/2-3/4-Stützen	-	-	-	2
Gerätefuß	-	4	5	4
Steckerabdeckung	1	1	1	1
3/4-3/4-Stützen	-	-	1	-



CD



Schaufel



Zulaufschlauch



Ablaufschlauch



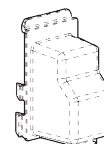
3/4-3/4-  
Stutzen



1/2-3/4-  
Stutzen



Gerätefuß



Steckerabdeckung

## 3. AUSPACKEN

### ⚠️ WARNUNG

Kindern sollten keinen Zugang zum Verpackungsmaterial (Kunststoffbeutel und Polystyrol) haben, da dieses eine mögliche Gefahrenquelle darstellt.

### ⚠️ VORSICHT

Den Karton nicht an den Transportbändern anheben oder tragen.

Das Gerät beim manuellen Bewegen unten festhalten.

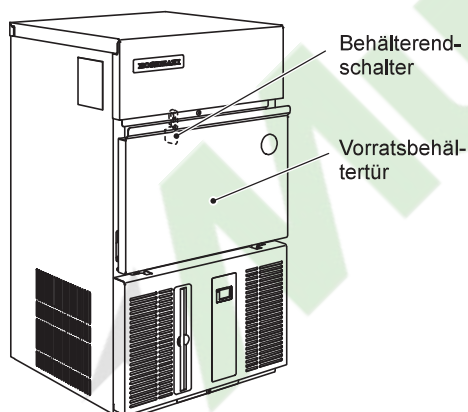
Beim Tragen des Gerätes stets Schutzhandschuhe tragen.

Um Verletzungen zu vermeiden, den Karton oder das ausgepackte Gerät immer zu zweit handhaben.

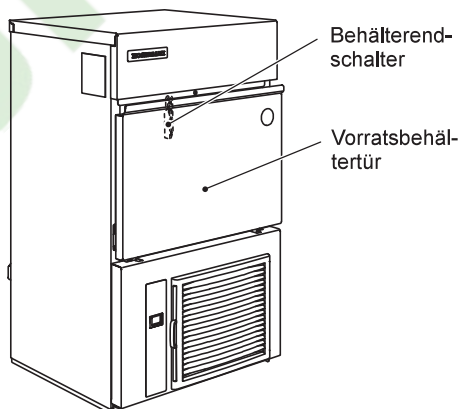
### HINWEIS

Versandkarton, Bänder und anderes Verpackungsmaterial entfernen. Wenn Verpackungsmaterial in der Maschine gelassen wird, arbeitet diese nicht richtig.

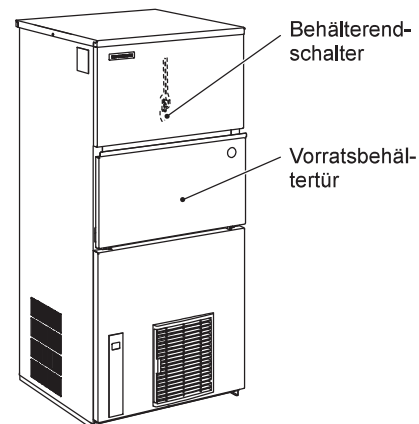
- 1) Nach Entfernen der Verpackung den Eisbereiter auf Transportschäden kontrollieren. Im Zweifelsfall den Eisbereiter nicht verwenden, sondern qualifiziertes Fachpersonal hinzuziehen.
- 2) Das Versandklebeband, mit dem die Tür und die Frontplatte fixiert sind, entfernen.
- 3) Die Kunststoff-Folie von der Außenseite entfernen. Wenn der Eisbereiter Sonne oder Wärme ausgesetzt ist, die Folie erst abziehen, nachdem der Eisbereiter abgekühlt ist.
- 4) Die Packung mit den Zubehörteilen herausnehmen. Den Inhalt anhand von „2. ZUBEHÖR“ prüfen.
- 5) Die Behältertür öffnen und das Transportsicherungsband des Vorratsbehälter-Endschalters im Inneren entfernen.



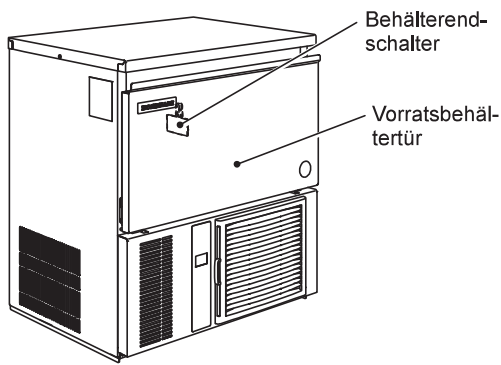
[IM-21CNE-HC, 30CNE-HC]



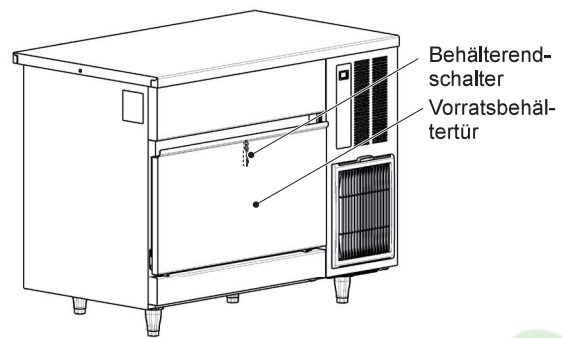
[IM-45NE-HC, 65NE-HC, 100NE/WNE-HC,  
130NE/WNE-HC]



[IM-240NE/WNE-HC]



[IM-45CNE-HC]



[IM-100CNE-HC]

## 4. AUFSTELLORT

### ⚠️ WARNUNG

Dieser Eisbereiter eignet sich nicht für den Gebrauch im Freien.

Der Eiswürfelbereiter darf nicht neben Öfen, Grills oder anderen Geräten aufgestellt werden, die Hitze erzeugen.

Dieses Gerät eignet sich nicht für die Aufstellung in Räumen, in denen ggf. ein Wasserstrahl benutzt wird.

### ⚠️ VORSICHT

Der Aufstellort für den Eisbereiter muss stabil und eben sein.

### HINWEIS

Keine Gegenstände auf die Deckplatte oder vor das Luftgitter des Eisbereiters stellen.

### WICHTIG

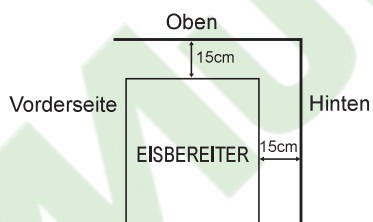
Für Normalbetrieb muss die Raumtemperatur zwischen 1 °C und 40 °C liegen. Der Wasseranschluss ist nur für kaltes Wasser. Längerer Gebrauch des Eisbereiters bei Temperaturen außerhalb dieser normalen Temperaturgrenzwerte kann die Produktionsleistung beeinträchtigen.

Die unten angegebenen Abstände einhalten, um eine optimale Luftzirkulation zu gewährleisten und die Wartung bzw. Pflege des Gerätes zu erleichtern.

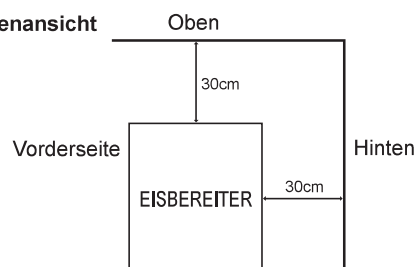
[IM-21CNE-HC, 30CNE-HC, 45CNE-HC, 240WNE-HC]

[IM-240NE-HC] \* Kein Abstand an den Seiten erforderlich

Seitenansicht

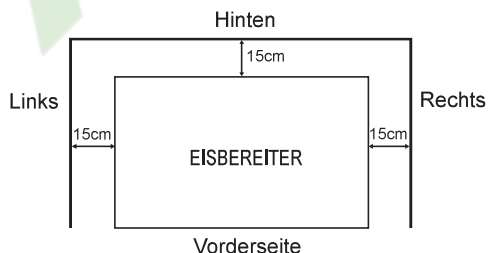


Seitenansicht

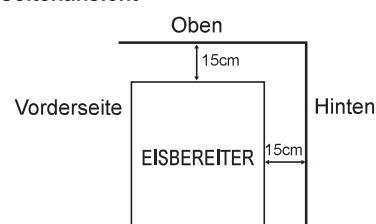


[IM-45NE-HC, 65NE-HC, 100CNE-HC, 100NE/WNE-HC, 130NE/WNE-HC]

Ansicht von oben



Seitenansicht



In Umgebungen mit hoher Feuchtigkeit kann sich Kondenswasser im Gerät bilden und auf den Boden tropfen. Das Gerät nicht auf Böden aufstellen, die durch Wasser beschädigt werden können.

Das Gerät nicht über längere Zeit direktem Sonnenlicht aussetzen.

## 5. INSTALLATION

### ⚠ VORSICHT

Eine falsche Installation kann zu Verletzungen von Menschen und Tieren oder zu Sachschäden führen, für die der Hersteller nicht haftet.

\* Platzieren Sie den Eisbereiter an einem ausgesuchten permanenten Aufstellungsort.

#### [Außer IM-21CNE-HC]

\* Beim Anbringen der einstellbaren Gerätefüße (Zubehör) muss das Gerät von links nach rechts und von vorn nach hinten ausgerichtet werden.

## 6. ELEKTRISCHE ANSCHLÜSSE

### ⚠ WARNUNG

#### DIESES GERÄT MUSS GEERDET WERDEN

Dieser Eisbereiter erfordert einen Schutzkontakt, der nationalen und lokalen Bestimmungen entspricht.

Um schwere Körperverletzungen und Gerätebeschädigungen infolge eines elektrischen Schlages zu vermeiden, ist ein ordnungsgemäßer Erdleiter am Eisbereiter anzubringen.

Die Stromversorgung ausschalten, bevor Wartungs-, Reparatur- oder Reinigungsarbeiten vorgenommen werden.

\* Dieses Gerät benötigt eine separate Stromversorgung mit 220-240 V~, 10 A [IM-21CNE-HC, 30CNE-HC, 45CNE/NE-HC, 65NE-HC, 100CNE/NE/WNE-HC, 130NE/WNE-HC] / 13 A [IM-240NE/WNE-HC]. Die Stromversorgung muss mit einem geeigneten Leistungsschutzschalter gesichert werden.

\* Die Hauptsicherung im Schaltkasten ist für eine Stromstärke von 5 A ausgelegt und darf nur von einer autorisierten Fachkraft ausgewechselt werden.

\* In der Regel wird hierzu ein Elektriker mit entsprechender Qualifikation und Zulassung benötigt.

#### Nur für das Vereinigte Königreich und die Republik Irland

\* Die Drähte im Netzkabel sind nach dem folgenden Farbcode gekennzeichnet:

Grün & Gelb = Erde

Blau = Nullleiter

Braun = spannungsführender Leiter

Die Farben der Adern im Netzkabel dieses Geräts stimmen möglicherweise nicht mit den Farbmarkierungen in Ihrem Stecker überein, daher bitte immer wie folgt vorgehen:

Der grün-gelbe Leiter ist an die Klemme anzuschließen, die mit dem Buchstaben E oder dem Symbol  $\perp$  bzw. grün oder gelb-grün markiert ist. Die blaue Ader ist an die Klemme anzuschließen, die mit dem Buchstaben N oder schwarz markiert ist. Die braune Ader ist an die Klemme anzuschließen, die mit dem Buchstaben L oder rot markiert ist.

\* Falls der mit dem Gerät gelieferte Stecker für die Netzsteckdose am Installationsort ungeeignet ist, muss er entfernt (bzw. wenn er verkapselt ist, abgeschnitten) und durch einen passenden Stecker ersetzt werden.

Ein abgeschnittener, verkapselter (nicht zugänglicher Stecker) muss entsorgt werden. Versuchen Sie nicht, ihn wiederzuverwenden. Durch die Verwendung eines solchen Steckers in einer anderen Steckdose besteht die Gefahr eines elektrischen Schlages.

\* Der verkapselte Stecker ist nie ohne angebrachte Sicherungsabdeckung zu verwenden.

Der richtige Ersatz für die abnehmbare Sicherungsabdeckung lässt sich anhand der Hersteller-Referenznummer ermitteln, die auf den Stecker gestanz ist.

Ersatzabdeckungen für Sicherungen sind von Hoshizaki-Ersatzteil-/Service-Zentren erhältlich.

Es sind 13-A-Sicherungen zu verwenden, die die Norm BS 1362 erfüllen.

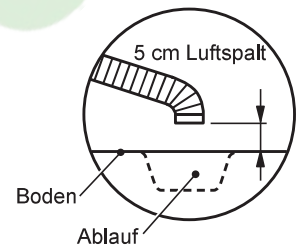
## 7. WASSERZULAUF- UND WASSERABLAUFANSCHLÜSSE

### ⚠️ WARNUNG

Nur an die kalte Trinkwasserversorgung anschließen.

- \* Die Anschlüsse an die Hauptwasserversorgung müssen entsprechend den Anforderungen der aktuellen Wasserversorgungs- oder Wasseranschlussbestimmungen ausgeführt werden.
- \* Wasser für die Eisbereitung muss Trinkwasser sein. Wo Ablagerungen aufgrund der Wasserqualität entstehen können:
  - Es wird die Installation eines externen Filters oder Weichmachers empfohlen. Wenden Sie sich an Ihren örtlichen Wasseraufbereitungsspezialisten oder an den Hoshizaki-Kundendienst.
  - Es wird der Wechsel zum Modus „volle Ablaufspülung“ empfohlen. Wenden Sie sich an Ihren Hoshizaki-Kundendienst.
- \* Der Druck in der Wasserzufuhrleitung muss mindestens 0,07 MPa (0,7 bar) und darf höchstens 0,8 MPa (8 bar) betragen. Bei einem höheren Druck als 0,8 MPa (8 bar) ist ein geeignetes Druckreduzierventil zu verwenden. Der Wasserzulauf am Hahn selbst darf NICHT gedrosselt werden.
- \* In bestimmten Gebieten sind eine Installationsgenehmigung und der Anschluss durch einen zugelassenen Installateur erforderlich.
- \* Der Abfluss des Wassers aus dem Eisbereiter erfolgt durch Schwerkraft, daher ist auf ein ausreichendes Gefälle des Ablaufschlauchs zu achten.

\* Die Verrohrung von Ablaufleitungen sollte nicht direkt in das Abwassersystem führen. Vom Ablaufschlauchende des Eisbereiters sollte mindestens ein 5 cm hoher vertikaler Luftspalt zum Bodenablauf verbleiben.



\* Um einen Rücklauf in den Vorratsbehälter zu verhindern, muss die Ablaufleitung wie gezeigt ausgelegt sein.



\* Bei wassergekühlten Modellen muss möglicherweise ein Rücklaufschutz im Kühlwasserkreislauf eingebaut werden.

\* Immer die mit dem Gerät gelieferte neue Schlauchgarnitur verwenden. Keine alten Schlauchgarnituren wiederverwenden.

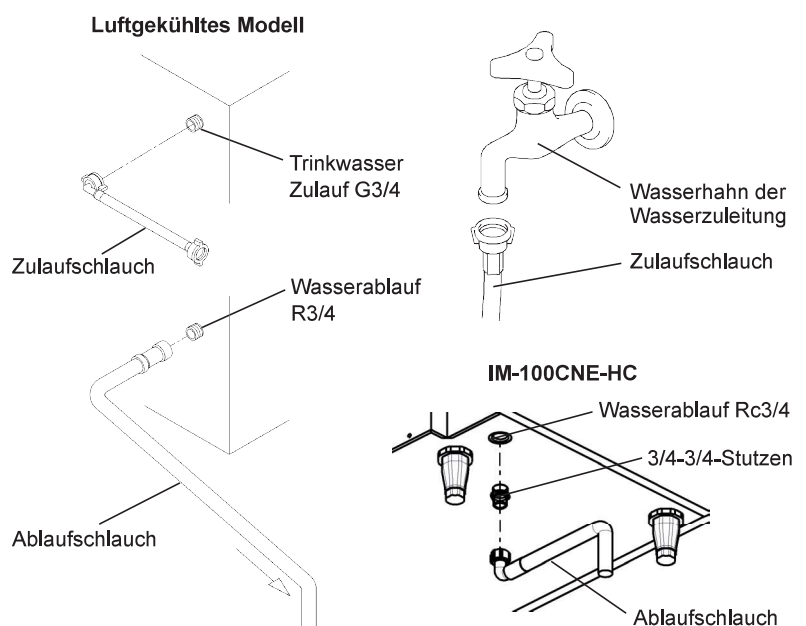
### [Luftgekühltes Modell]

1) Abgewinkeltes Ende des flexiblen Zulaufschlauches (Zubehör) auf den G3/4-Anschluss an der Rückseite des Eisbereiters schrauben. Dabei darauf achten, dass die Gummidichtung richtig liegt. Mit der Hand so anziehen, dass die Verbindung dicht ist.

2) Das andere Ende des Zulaufschlauches an den Wasserhahn schrauben, dabei wie oben darauf achten, dass die Gummidichtung richtig liegt und mit der Hand festziehen. Vorsichtshalber sollte das Absperrventil in Reichweite sein.

3) [Außer IM-100CNE-HC]

Den grauen, flexiblen Ablaufschlauch (Zubehör) mit der Hand auf den R3/4-Anschluss auf der Rückseite des Eisbereiters festschrauben (siehe Abbildung). Dabei darauf achten, dass die Gummidichtung richtig liegt, damit die Verbindung dicht ist. Das Rohr lässt sich auf die richtige Länge, d. h. der Position des Hauptabflusses entsprechend, zuschneiden.



# DEUTSCH

[IM-100CNE-HC]

Mit einem geeigneten Schlüssel oder Schraubenschlüssel die 3/4-3/4-Stutzen (Zubehör) in die Rc3/4-Anschluss auf der Unterseite des Eisbereiters einschrauben (siehe Abbildung). PTFE-Band und/oder ein geeignetes Dichtmittel verwenden, um eine dichte Verbindung zu erhalten.

Hinweis: Dichtmittel müssen für den Gebrauch mit Trinkwasser genehmigt und geeignet sein.

Den grauen, flexiblen Ablaufschlauch (Zubehör) mit der Hand auf die 3/4-3/4-Stutzen festschrauben (siehe Abbildung). Dabei darauf achten, dass die Gummidichtung richtig liegt, damit die Verbindung dicht ist. Das Rohr lässt sich auf die richtige Länge, d. h. der Position des Hauptabflusses entsprechend, zuschneiden.

## [Wassergekühltes Modell]

\* Hoshizaki empfiehlt, einen wassergekühlten Verflüssiger an ein Kühlsystem mit geschlossenem Kreislauf anzuschließen, das einen Kühlturm oder Wasserkühler o. ä. verwendet. Das Auffüllen mit Wasser sollte über ein Kugelventil-/Unterbrecher-Tanksystem reguliert werden.

\* Obgleich das Anschließen eines wassergekühlten Verflüssigers an eine Trinkwasserversorgungsleitung die Leistung des Eisbereiters nicht beeinträchtigt, wird es auf alle Fälle eine(n) hohe(n) Verbrauch/Verschwendung einer wertvollen Ressource bewirken und wird daher nicht empfohlen.

\* Um eine sachgerechte Installation zu gewährleisten, sollten die Dienste eines zugelassenen Installateurs in Anspruch genommen werden.

\* Die Anschlüsse haben den geltenden nationalen oder lokalen Vorschriften zu entsprechen.

## [a] Standardanschlüsse entsprechend der WRAS-Bestimmungen in Großbritannien.

\* Bei der Auswahl eines Kühlturms muss auf folgende Spitzenwerte für den Wärmefluss im Verflüssiger geachtet werden:

Modell	IM-100/130W:	1165W
	IM-240W:	5235 W

\* Rohre zwischen dem Kühlturm und dem Eisbereiter müssen mindestens 20 mm Durchmesser haben, um Druckverlust zu verringern, auch wenn die Anschlüsse des Eisbereiters nur 13 mm im Durchmesser sind.

\* Der Druckverlust im Wasserkreislauf im Innern der Einheit wird 5 bis 6 m betragen, wenn das Kühlwasser mit 4 bis 5 l/min umläuft.

\* Eine Umwälzpumpe wählen, die zu den obigen Werten des Wärmeflusses passt.

\* Keine Kaskadenpumpe verwenden, da der Wasserregler dann den Fluss verändert und ihn während des Abtauzyklus stoppt.

## [Anschlüsse des Eisbereiters]

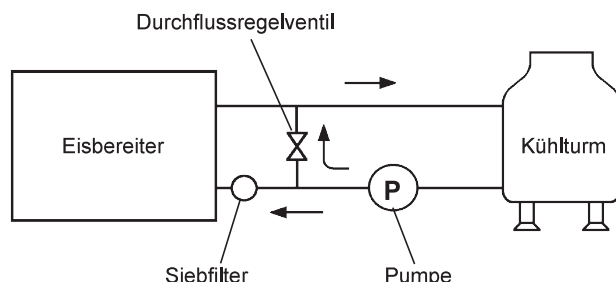
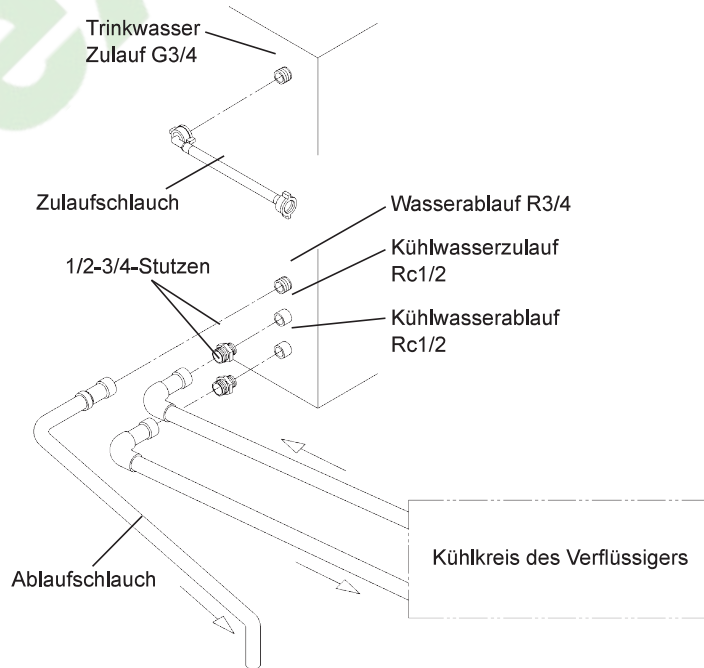
1) Abgewinkeltes Ende des flexiblen Zulaufschlauches (Zubehör) auf den G3/4-Anschluss an der Rückseite des Eisbereiters schrauben. Dabei darauf achten, dass die Gummidichtung richtig liegt. Mit der Hand so anziehen, dass die Verbindung dicht ist.

2) Das andere Ende des Zulaufschlauches an den Wasserhahn schrauben, dabei wie oben darauf achten, dass die Gummidichtung richtig liegt und mit der Hand festziehen.

Hinweis: Falls eine Filtrierung oder Aufbereitung benutzt wird, müssen Sie sicherstellen, dass nur der Eisbereiterabschnitt an die aufbereitete Wasserzufuhr angeschlossen ist, nicht der Kondensator.

3) Den grauen, flexiblen Ablaufschlauch (Zubehör) wie gezeigt an den R3/4-Anschluss auf der Rückseite des Eisbereiters festschrauben. Dabei wieder darauf achten, dass die

Wassergekühltes Modell [a]



Gummidichtung richtig sitzt und dann die Verbindung von Hand festschrauben. Das Rohr lässt sich auf die richtige Länge, d. h. der Position des Hauptabflusses entsprechend, zuschneiden.

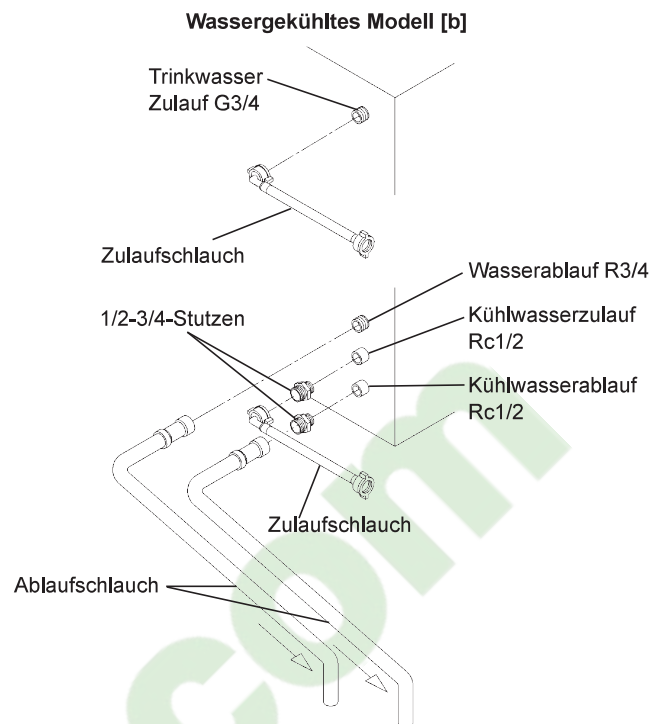
- 4) Mit einem geeigneten Schlüssel oder Schraubenschlüssel die 1/2-3/4-Stutzen (Zubehör) in die Rc1/2-Anschlüsse auf der Rückseite des Eisbereiters einschrauben (siehe Abbildung). PTFE-Band und/oder ein geeignetes Dichtmittel verwenden, um eine dichte Verbindung zu erhalten.

Hinweis: Dichtmittel müssen für den Gebrauch mit Trinkwasser genehmigt und geeignet sein.

- 5) Mit einem geeigneten starren Rohr den Kühlkreislauf des Verflüssigers mit dem freien Ende der 1/2-3/4-Stutzen verbinden.

### [b] Anschlüsse entsprechend anderer als der WRAS-Bestimmungen unter Verwendung von Zubehörschläuchen

- 1) Den obigen Anweisungen 1) bis 4) unter [a] folgen.
- 2) Zum Anschluss des Verflüssigers die mitgelieferten Zubehörschläuche verwenden. Die gleichen Verbindungen wie oben in 1) bis 3) unter [a] an den freien Enden der 1/2-3/4-Stutzen herstellen.



## II. BEDIENUNGSANLEITUNG

### ⚠ VORSICHT

Nicht mit den Händen nach hinten in den Vorratsbehälter oder in den Eisschacht oben im Vorratsbehälter greifen. Eis könnte vom Eisbereiter herunterfallen, ein harter Eisblock könnte plötzlich herabfallen oder der Eisbereitermechanismus könnte sich plötzlich bewegen und Verletzungen verursachen.

Vorratsbehälter

Eisschacht

### HINWEIS

Alle Komponenten wurden werksseitig eingestellt. Unsachgemäße Einstellarbeiten können die ordnungsgemäße Funktion des Eisspenders beeinträchtigen.

Um eine Beschädigung des Verdichters zu vermeiden, nach Ausschalten des Eisbereiters mindestens 3 Minuten lang warten, bevor das Gerät wieder eingeschaltet wird.

### ⚠ HYGIENE

Dieser Eisbereiter ist für die Herstellung von Trinkwassereis konzipiert. Aus Gründen der Hygiene:

- \* Bitte immer die Hände waschen, bevor Eis entnommen wird. Zum Entnehmen von Eis immer die Kunststoffschaufel (Zubehör) verwenden.
- \* Der Vorratsbehälter ist ausschließlich für Eis zu verwenden. Nichts anderes im Vorratsbehälter aufbewahren und keine anderen elektrischen Geräte im Vorratsbehälter verwenden.
- \* Vorratsbehälter vor der Verwendung reinigen (siehe „III. 1. REINIGUNG“).
- \* Die Eisschaufel sauberhalten. Stets ein neutrales Reinigungsmittel verwenden und gründlich abspülen.
- \* Nach der Entnahme von Eis immer die Tür schließen, um das Eindringen von Schmutz, Staub oder Ungeziefer in den Vorratsbehälter zu verhindern.

## 1. INBETRIEBNAHME

Der Installateur nimmt den Eisbereiter normalerweise in Betrieb, so dass die automatische Eisherstellung beginnt. Für Dauerbetrieb ist darauf zu achten:



# DEUTSCH

- \* dass der Wasserhahn geöffnet ist und
- \* dass der Eisbereiter an das Netz angeschlossen ist.

## 2. MASSNAHMEN FÜR DIE LANGFRISTIGE LAGERUNG DES EISBEREITERS

### HINWEIS

Dieser Eisbereiter arbeitet nicht bei Temperaturen unter Null. Um Schaden an der Wasserzufuhrleitung zu vermeiden, ist das Wasser aus dem System zu entfernen, sobald die Lufttemperatur unter 0 °C sinkt.

### ▲HYGIENE

Wird der Eisbereiter zwei Tage oder länger ausgeschaltet, das Wasser aus dem Eisbereiter ablassen, um eine Verunreinigung des Wasserkreises zu vermeiden.

- 1) Netzstecker des Eisbereiters ausstecken oder die Stromversorgung trennen.
- 2) Wasserzulaufhahn zudrehen und Zulaufschlauch entfernen.
- 3) Alles Eis aus dem Vorratsbehälter entfernen und den Behälter reinigen.
- 4) Den Eisbereiter von professionellem, qualifiziertem Personal entleeren lassen.

## III. WARTUNG

### 1. REINIGUNG

#### ▲WARNUNG

Vor Durchführung von Reinigungs- oder Wartungsarbeiten immer den Netzstecker des Eisbereiters ziehen.

Dieses Gerät darf nicht mit einem Wasserstrahl gereinigt werden.

#### ▲VORSICHT

Bei der Verwendung eines Neutralreinigers oder von Natriumhypochlorit die Hinweise zur Vermeidung von Gesundheitsschäden aufmerksam lesen und beachten.

#### HINWEIS

Den Eisbereiter mindestens zweimal im Jahr von qualifiziertem Fachpersonal reinigen und desinfizieren lassen; den Verflüssiger mindestens einmal im Jahr prüfen und reinigen lassen.

Um Beschädigungen zu vermeiden, Kunststoffteile nicht mit über 40 °C heißem Wasser oder in einem Geschirrspüler reinigen.

#### [a] Gerät und Außenseite des Vorratsbehälters

Alle Außenflächen mindestens einmal in der Woche mit einem sauberen, weichen Tuch abwischen. Fett- und Schmutzspuren mit einem feuchten Tuch und neutralem Reinigungsmittel entfernen.

#### [b] Reinigung/Desinfektion von Eisschaufel und Griff des Vorratsbehälters (täglich)

- 1) In einem geeigneten Behälter entweder 1 l Wasser mit 4 ml einer 5,25%igen Natriumhypochloritlösung mischen oder den empfohlenen Hoshizaki-Desinfizierer wie beschrieben verwenden.
- 2) Die Eisschaufel länger als 3 Minuten in der Lösung baden. Gründlich spülen und zum Entfernen der Restflüssigkeit gut schütteln.

Hinweis: Abtrocknen mit einem Tuch kann zu erneuter Verschmutzung führen.

- 3) Zum Abwaschen des Vorratsbehältergriffs einen Neutralreiniger benutzen. Gründlich spülen.
- 4) Ein sauberes Tuch mit der Desinfizierlösung tränken und den Griff abwischen. Benutzen Sie frisches Wasser und ein sauberes Tuch zum Abspülen bzw. Abwischen.

## [c] Reinigung/Desinfektion der Innenflächen des Vorratsbehälters (wöchentlich)

- 1) Vorratsbehältertür öffnen und sämtliches Eis entfernen.
- 2) Die Auskleidung des Vorratsbehälters mit einem neutralen, nicht scheuernden Reinigungsmittel waschen. Gründlich spülen.
- 3) Ein sauberes Tuch mit einem Neutralreiniger anfeuchten und beide Seiten der Seitenteile und die Innenseite der Tür abwischen. Reinigerrückstände mit einem sauberen feuchten Tuch abwischen.
- 4) In einem geeigneten Behälter entweder 5 l Wasser mit 18 ml einer 5,25%igen Natriumhypochloritlösung mischen oder den empfohlenen Hoshizaki-Desinfizierer wie beschrieben verwenden.
- 5) Einen sauberen Schwamm oder ein Tuch mit der Lösung anfeuchten und die Auskleidung, Behältertür und Seitenteile abwaschen.
- 6) Mit der restlichen Lösung kann Zubehör desinfiziert werden.

Hinweis: Nach dem Desinfizieren weder trocken wischen noch spülen, sondern trocknen lassen.

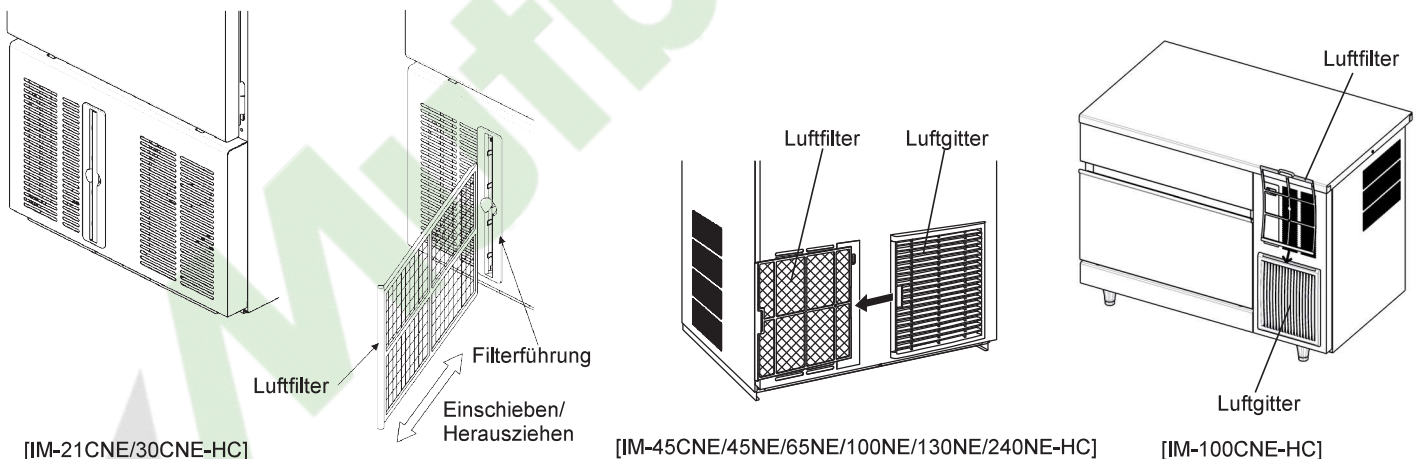
## [d] Luftfilter (nur luftgekühlte Modelle)

Siebfilter aus Kunststoff entfernen Schmutz oder Staub aus der Luft und verhindern das Verstopfen des Verflüssigers. Wenn die Filter verstopfen, nimmt die Leistung des Eisbereiters ab. Die Luftfilter mindestens zweimal monatlich herausnehmen und reinigen:

- 1) Den Luftfilter von der Filterführung [IM-21CNE/30CNE-HC] oder vom Luftgitter [IM-45CNE/45NE/65NE/100CNE/100NE/130NE/240NE-HC] schieben.
- 2) Luftfilter mit einem Staubsauger reinigen. Falls er sehr verstopft ist, Luftfilter mit warmem Wasser und einem Neutralreiniger auswaschen.
- 3) Den Luftfilter gründlich abspülen und trocknen.

### HINWEIS

Nach der Reinigung nicht vergessen, den Luftfilter wieder einzusetzen.



## 2. VOR ANRUF DES KUNDENDIENSTES

### ⚠ WARNUNG

Den Kältekreislauf nicht beschädigen.

## [a] Fehlercodeanzeige

### ⚠ WARNUNG

Wenn der Fehlercode „E“ auf der Anzeige aufleuchtet, gibt es möglicherweise Gaslecks. Gerät nicht berühren. Raum lüften und unverzüglich Kundendienst rufen.

Code	Mögliche Ursachen
E1	Gefrierfehler.
E2	Abtaufehler.
EE	Sonstige Fehler.
EF	Gassensor (falls vorhanden) erfasst Gaslecks.

## [b] Keine Fehlercodeanzeige

Wenn der Eisbereiter nicht richtig oder gar nicht funktioniert und keine Fehlercodeanzeige aufleuchtet, kontrollieren Sie das Folgende, bevor Sie den Wartungsdienst anrufen:

- \* Das Gerät ist mit dem Stromnetz verbunden.
- \* Das Wasser ist eingeschaltet.
- \* Der Luftfilter ist sauber (nur luftgekühltes Modell).
- \* Der Kühlwasserkreislauf fließt einwandfrei (wassergekühlte Ausführung).

Wenn Sie weitere Hilfe oder Rat benötigen, wenden Sie sich an Ihren Hoshizaki-Kundendienst.

## [c] Anzeige von Alarmcodes

Wenn der Alarmcode A1 oder A2 angezeigt wird, ist möglicherweise der Gassensor defekt. Wenden Sie sich an Ihren Hoshizaki-Kundendienst.

## 3. ENTSORGUNG

Die gesetzlichen Bestimmungen zur Entsorgung dieses Gerätes und des enthaltenen Kältemittelgases. Vor dem Verschrotten des Gerätes die Tür abnehmen, um zu vermeiden, dass sich Kinder im Gerät versehentlich einschließen.

Richtige Entsorgung dieses Gerätes:

Dieses Kennzeichen bedeutet, dass dieses Gerät in der EU nicht mit dem normalen Haushaltsmüll entsorgt werden darf. Um Schäden der Umwelt oder der menschlichen Gesundheit durch unkontrollierte Müllbeseitigung zu vermeiden, recyceln Sie das Gerät und fördern Sie damit die nachhaltige Wiederverwertung von stofflichen Ressourcen. Nutzen Sie die Rückgabe- und Sammelsysteme oder wenden Sie sich an den Händler, bei dem Sie das Gerät gekauft haben, um das gebrauchte Gerät zurückzugeben. Dort wird das Gerät der umweltfreundlichen Wiederverwertung zugeführt.



## 4. GEWÄHRLEISTUNG

Hoshizaki garantiert dem Originalbesitzer/-benutzer, dass alle Markenprodukte von Hoshizaki für die Dauer der „Garantiezeit“ frei von Material- und/oder Verarbeitungsfehlern sind. Die Garantie gilt für zwei Jahre ab Datum der Installation. Die Haftung von Hoshizaki nach diesen Garantiebedingungen ist begrenzt. Sie schließt Routinewartung und Reinigung sowie Wartungs- und/oder Reparaturarbeiten aus, die durch missbräuchliche Benutzung oder fehlerhafte Installation verursacht worden sind.

Garantiereparaturen sind von einem zugelassenen Hoshizaki-Händler oder -Kundendienst mit Hoshizaki-Originalbauteilen auszuführen.

Für vollständige Informationen zur Gewährleistung und zugelassene Kundendienste wenden Sie sich bitte an Ihren Händler/Lieferanten oder den nächstgelegenen Hoshizaki-Kundendienst:

### Europa, Naher Osten, Afrika

Hoshizaki UK - Großbritannien, Irland  
TEL: +44 845 456 0585  
FAX: +44 132 283 8331  
uksales@hoshizaki.co.uk

Hoshizaki Middle East - Naher Osten  
TEL: +971 48 876 612  
FAX: +971 48 876 613  
sales@hoshizaki.ae

Hoshizaki Deutschland - Deutschland, Schweiz, Österreich  
TEL: +49 2154 92810  
FAX: +49 2154 928128  
info@hoshizaki.de

Hoshizaki Benelux - Niederlande, Belgien, Luxemburg  
TEL: +31 85 018 83 70  
info@hoshizaki.nl

Hoshizaki France - Frankreich  
 TEL: +33 1 48 63 93 80  
 FAX: +33 1 48 63 93 88  
 info@hoshizaki.fr

Hoshizaki Europe B.V. - alle anderen Länder innerhalb  
 Europa und Afrika  
 TEL: +31 20 6918499  
 FAX: +31 20 6918768  
 sales@hoshizaki.nl

Hoshizaki Iberia - Spanien, Portugal  
 TEL: +34 93 478 09 52  
 FAX: +34 93 478 08 00  
 info@hoshizaki.es

## Asien, Ozeanien

Hoshizaki Singapore  
 TEL: +65 6225 2612  
 FAX: +65 6225 3219

Hoshizaki Hong Kong  
 TEL: +852 2866-2108  
 FAX: +852 2866-2109

Hoshizaki Taiwan  
 TEL: +886 2 2706 8818  
 FAX: +886 2 2708 7999

Hoshizaki Lancer  
 TEL: +61 8 8268 1388  
 FAX: +61 8 8268 1978

## TECHNISCHE DATEN

Modell	IM-21CNE-HC	IM-30CNE-HC	IM-45CNE-HC
Typ	Luftgekühlt, Würfeleis	Luftgekühlt, Würfeleis	Luftgekühlt, Würfeleis
Stromversorgung	1-phasig 220-240 V, 50 Hz	1-phasig 220-240 V, 50 Hz	1-phasig 220-240 V, 50 Hz
Anschlussleistung	225 W	230 W	275 W
Eisproduktion in 24 Std.	23 kg (5 mm) / 25 kg (15 mm) (Umgebungs 10 °C, water 10 °C)	25 kg (5 mm) / 30 kg (15 mm) (Umgebungs 10 °C, water 10 °C)	40 kg (5 mm) / 46 kg (15 mm) (Umgebungs 10 °C, water 10 °C)
Abmessungen	398 mm (B) x 451 mm (T) x 695 mm (H)	398 mm (B) x 451 mm (T) x 695 mm (H)	633 mm (B) x 511 mm (T) x 690 mm (H)
Kältemittel	R290, 55 g	R290, 65 g	R290, 70 g
Isolierschaum-Treibmittel	FKW-frei	FKW-frei	FKW-frei
Gewicht	Netto: 34kg (Brutto: 39kg)	Netto: 34kg (Brutto: 39kg)	Netto: 45kg (Brutto: 55kg)
Umgebungstemp.	1 - 40 °C	1 - 40 °C	1 - 40 °C
Wasserzufuhrtemp.	5 - 35 °C	5 - 35 °C	5 - 35 °C
Wasserzufuhrdruck	0,07 - 0,8 MPa (0,7 - 8 bar)	0,07 - 0,8 MPa (0,7 - 8 bar)	0,07 - 0,8 MPa (0,7 - 8 bar)
Versorgungsspannungsbereich	Nennspannung ± 6%	Nennspannung ± 6%	Nennspannung ± 6%

Modell	IM-45NE-HC	IM-65NE-HC	IM-100CNE-HC
Typ	Luftgekühlt, Würfeleis	Luftgekühlt, Würfeleis	Luftgekühlt, Würfeleis
Stromversorgung	1-phasig 220-240 V, 50 Hz	1-phasig 220-240 V, 50 Hz	1-phasig 220-240 V, 50 Hz
Anschlussleistung	275 W	320 W	500 W
Eisproduktion in 24 Std.	40 kg (5 mm) / 46 kg (15 mm) (Umgebungs 10 °C, water 10 °C)	52 kg (5 mm) / 62 kg (15 mm) (Umgebungs 10 °C, water 10 °C)	92 kg (5 mm) / 105 kg (15 mm) (Umgebungs 10 °C, water 10 °C)
Abmessungen	503 mm (B) x 456 mm (T) x 840 mm (H)	633 mm (B) x 506 mm (T) x 840 mm (H)	1004 mm (B) x 600 mm (T) x 800 mm (H)
Kältemittel	R290, 70 g	R290, 110 g	R290, 125 g
Isolierschaum-Treibmittel	FKW-frei	FKW-frei	FKW-frei
Gewicht	Netto: 44kg (Brutto: 50kg)	Netto: 50kg (Brutto: 60kg)	Netto: 77 kg (Brutto: 88 kg)
Umgebungstemp.	1 - 40 °C	1 - 40 °C	1 - 40 °C
Wasserzufuhrtemp.	5 - 35 °C	5 - 35 °C	5 - 35 °C
Wasserzufuhrdruck	0,07 - 0,8 MPa (0,7 - 8 bar)	0,07 - 0,8 MPa (0,7 - 8 bar)	0,07 - 0,8 MPa (0,7 - 8 bar)
Versorgungsspannungsbereich	Nennspannung ± 6%	Nennspannung ± 6%	Nennspannung ± 6%

# DEUTSCH

Modell	IM-100NE-HC	IM-130NE-HC	IM-240NE-HC
Typ	Luftgekühlt, Würfeleis	Luftgekühlt, Würfeleis	Luftgekühlt, Würfeleis
Stromversorgung	1-phasig 220-240 V, 50 Hz	1-phasig 220-240 V, 50 Hz	1-phasig 220-240 V, 50 Hz
Anschlussleistung	555 W	615 W	930 W
Eisproduktion in 24 Std.	92 kg (5 mm) / 105 kg (15 mm) (Umgebungs 10 °C, water 10 °C)	110 kg (5 mm) / 120 kg (15 mm) (Umgebungs 10 °C, water 10 °C)	195 kg (5 mm) / 210 kg (15 mm) (Umgebungs 10 °C, water 10 °C)
Abmessungen	704 mm (B) x 506 mm (T) x 1200 mm (H)	704 mm (B) x 506 mm (T) x 1200 mm (H)	704 mm (B) x 665 mm (T) x 1510 mm (H)
Kältemittel	R290, 120 g	R290, 120 g	R290, 147 g
Isolierschaum-Treibmittel	FKW-frei	FKW-frei	FKW-frei
Gewicht	Netto: 76 kg (Brutto: 84 kg)	Netto: 76kg (Brutto: 84kg)	Netto: 111kg (Brutto: 122kg)
Umgebungstemp.	1 - 40 °C	1 - 40 °C	1 - 40 °C
Wasserzufuhrtemp.	5 - 35 °C	5 - 35 °C	5 - 35 °C
Wasserzufuhrdruck	0,07 - 0,8 MPa (0,7 - 8 bar)	0,07 - 0,8 MPa (0,7 - 8 bar)	0,07 - 0,8 MPa (0,7 - 8 bar)
Versorgungsspannungsbereich	Nennspannung ± 6%	Nennspannung ± 6%	Nennspannung ± 6%

Modell	IM-100WNE-HC	IM-130WNE-HC	IM-240WNE-HC
Typ	Wassergekühlt, Würfeleis	Wassergekühlt, Würfeleis	Wassergekühlt, Würfeleis
Stromversorgung	1-phasig 220-240 V, 50 Hz	1-phasig 220-240 V, 50 Hz	1-phasig 220-240 V, 50 Hz
Anschlussleistung	465 W	550 W	810 W
Eisproduktion in 24 Std.	80 kg (5 mm) / 90 kg (15 mm) (Umgebungs 10 °C, water 10 °C)	100 kg (5 mm) / 110 kg (15 mm) (Umgebungs 10 °C, water 10 °C)	190 kg (5 mm) / 205 kg (15 mm) (Umgebungs 10 °C, water 10 °C)
Abmessungen	704 mm (B) x 506 mm (T) x 1200 mm (H)	704 mm (B) x 506 mm (T) x 1200 mm (H)	704 mm (B) x 665 mm (T) x 1510 mm (H)
Kältemittel	R290, 147 g	R290, 147 g	R290, 147 g
Isolierschaum-Treibmittel	FKW-frei	FKW-frei	FKW-frei
Gewicht	Netto: 74 kg (Brutto: 82 kg)	Netto: 74kg (Brutto: 82kg)	Netto: 120kg (Brutto: 131kg)
Umgebungstemp.	1 - 40 °C	1 - 40 °C	1 - 40 °C
Wasserzufuhrtemp.	5 - 35 °C	5 - 35 °C	5 - 35 °C
Wasserzufuhrdruck	0,07 - 0,8 MPa (0,7 - 8 bar)	0,07 - 0,8 MPa (0,7 - 8 bar)	0,07 - 0,8 MPa (0,7 - 8 bar)
Versorgungsspannungsbereich	Nennspannung ± 6%	Nennspannung ± 6%	Nennspannung ± 6%

Hinweis: die oben stehenden Angaben gelten für die Standard-Modelle.

**BELANGRIJKE VEILIGHEIDSINFORMATIE**

Overal in deze handleiding treft u opmerkingen aan die uw aandacht willen vestigen op situaties die zouden kunnen resulteren in overlijden, ernstig letsel of schade aan de machine.

<b>▲WAARSCHUWING</b>	Geeft een gevaarlijke situatie aan die, als deze niet wordt vermeden, zou kunnen resulteren in overlijden of ernstig letsel.
<b>▲VOORZICHTIG</b>	Geeft een gevaarlijke situatie aan die, als deze niet wordt vermeden, zou kunnen resulteren in licht of middelzwaar letsel.
<b>LET OP</b>	Geeft een gevaarlijke situatie aan die, als deze niet wordt vermeden, zou kunnen resulteren in schade aan de machine.
<b>▲HYGIËNE</b>	Geeft belangrijke voorzorgsmaatregelen aan met betrekking tot de hygiëne en voedselveiligheid.
<b>BELANGRIJK</b>	Geeft belangrijke informatie aan over het gebruik en de verzorging van de machine.

Deze ijsmachine gebruikt een HFC-vrij koelmiddel (propan) dat niet schadelijk is voor de ozonlaag, duurzaam is en een zeer beperkt aardopwarmingsvermogen heeft.

<b>▲WAARSCHUWING</b>	
Het koelsysteem van deze ijsmachine bevat ontvlambaar koelmiddel; installatie, gebruik, onderhoud en verwijdering mogen daarom uitsluitend worden uitgevoerd door erkende technici.	
Het koelmiddel in deze ijsmachine is ontvlambaar en verzegeld in het koelsysteem. Hoewel het koelmiddel onder normale omstandigheden niet lekt, dient u de ijsmachine met de grootst mogelijke zorg te behandelen om te voorkomen dat u het systeem beschadigt.	
In het geval van onopzettelijke schade aan het koelsysteem waardoor koelmiddel wegloopt: * Creëer geen ontstekingsbron in de buurt. * Bedien geen elektrische schakelaars of stopcontacten in de buurt. * Gebruik geen naakte vlam. * Ventileer de ruimte direct door het openen van deuren en/of ramen. * Bel een servicetechnicus.	
<b>BELANGRIJK</b>	
Dit boekje vormt een integraal en essentieel onderdeel van het product en moet goed worden bewaard door de gebruiker.	
Lees de richtlijnen en waarschuwingen in dit boekje zorgvuldig door, aangezien deze zijn bedoeld om de installateur/gebruiker te voorzien van essentiële informatie voor een correcte installatie, alsmede voor een veilig gebruik en onderhoud van het product op de lange termijn.	
Bewaar dit boekje zodat u het later, indien nodig, opnieuw kunt raadplegen.	

## ▲ WAARSCHUWING

Dit is een ijsmachine voor commerciële doeleinden en dit apparaat dient uitsluitend te worden gebruikt voor de toepassingen waarvoor het is ontworpen en te worden bevestigd aan een geschikte opslagbunker zoals dit door Hoshizaki is opgegeven.

Enige andere vorm van gebruik wordt als ongeschikt en dus gevaarlijk beschouwd. De fabrikant kan niet aansprakelijk of verantwoordelijk worden gesteld voor enige schade die ontstaat door ongeschikt, incorrect en onredelijk gebruik.

**De installatie en eventuele verplaatsing van de ijsmachine mag uitsluitend door gekwalificeerd personeel** en overeenkomstig de plaatselijk geldende voorschriften worden uitgevoerd, waarbij de instructies van de fabrikant dienen te worden gevolgd.

Houd ventilatieopeningen, zowel in de behuizing van de machine als in de inbouwstructuur, vrij van obstakels.

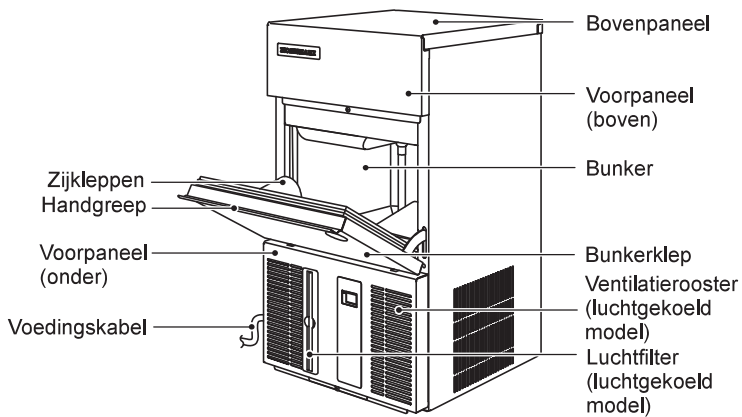
Gebruik geen mechanische apparaten of andere methoden om het ontdooiproces te versnellen dan de methoden die door de fabrikant worden aanbevolen.

Bij het gebruik van elektrische apparaten moeten bepaalde regels in acht worden genomen. In het bijzonder:

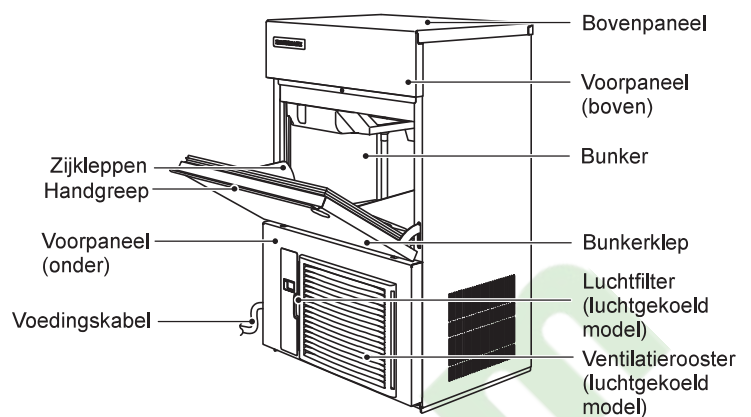
- \* Vocht en hoge luchtvochtigheid verhogen de kans op kortsluiting en elektrische schokken. Trek de stekker van de ijsmachine uit het stopcontact als u niet zeker bent van de condities in de ruimte waar de ijsmachine is geplaatst.
- \* Voorkom beschadiging van de voedingskabel en trek uitsluitend aan de stekker en niet aan de voedingskabel zelf als u de ijsmachine van de netvoeding wilt loskoppelen.
- \* Als de voedingskabel beschadigd is, moet deze worden vervangen door een vervangende kabel die verkrijgbaar is via de onderdelen- en servicecentra van Hoshizaki.
- \* Raak de elektrische onderdelen of de schakelaars niet met vochtige handen aan.
- \* Dit apparaat is niet bedoeld om te worden gebruikt door personen (waaronder kinderen) met een verminderde lichamelijke, zintuiglijke of mentale capaciteit of een gebrek aan ervaring en kennis. Het kan echter wel worden gebruikt door kinderen vanaf 8 jaar en door personen met een verminderde lichamelijke, zintuiglijke of mentale capaciteit of een gebrek aan ervaring en kennis, mits zij onder toezicht staan van een persoon die verantwoordelijk is voor hun veiligheid of deze persoon hen instrueert hoe het apparaat te gebruiken.
- \* Kinderen mogen niet met het apparaat spelen.
- \* Reiniging en gebruikersonderhoud mag niet zonder toezicht door kinderen worden uitgevoerd.
- \* Probeer niet de ijsmachine aan te passen. Alleen bevoegd personeel mag het apparaat demonteren of repareren.

## I. INSTALLATIE-INSTRUCTIES

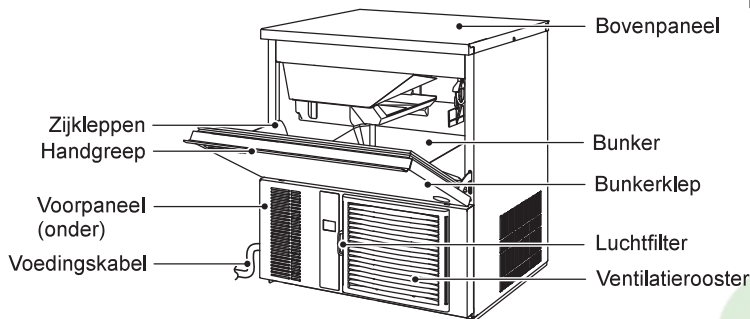
### 1. CONSTRUCTIE



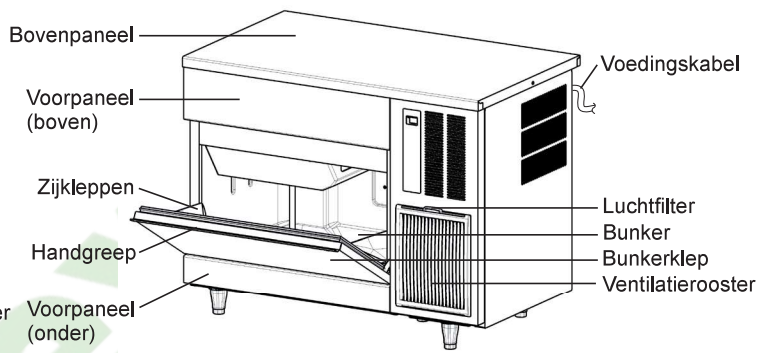
[IM-21CNE-HC, 30CNE-HC]



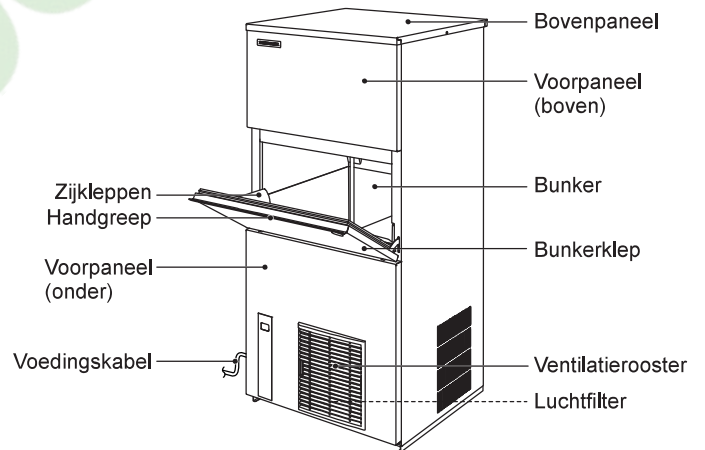
[IM-45NE-HC, 65NE-HC, 100NE/WNE-HC, 130NE/WNE-HC]



[IM-45CNE-HC]



[IM-100CNE-HC]



[IM-240NE/WNE-HC]

### 2. TOEBEHOREN

	IM-21CNE-HC	IM-30CNE-HC IM-45CNE-HC IM-45NE-HC IM-65NE-HC IM-100NE-HC IM-130NE-HC IM-240NE-HC	IM-100CNE-HC	IM-100WNE-HC IM-130WNE-HC IM-240WNE-HC
CD	1	1	1	1
Ijsschep	1	1	1	1
Toevoerslang	1	1	1	2
Afvoerslang	1	1	1	2
1/2-3/4-nippel	-	-	-	2
Poot	-	4	5	4
Connectorpaneel	1	1	1	1
3/4-3/4-nippel	-	-	1	-





CD



Ijsschep



Toevoerslang



Afvoerslang



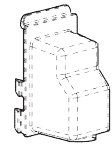
3/4-3/4  
-nippel



1/2-3/4  
-nippel



Poot



Connectorpaneel

### 3. UITPAKKEN

#### ⚠ WAARSCHUWING

Kinderen moeten buiten het bereik van het verpakkingsmateriaal (plastic zakken en geëxpandeerd polystyreen) worden gehouden aangezien dit mogelijke bronnen van gevaar zijn.

#### ⚠ VOORZICHTIG

Til de doos niet op en verplaats deze niet met behulp van de transportbanden.

Wanneer u het apparaat handmatig verplaatst, dient u de onderkant van de ijsmachine vast te houden.

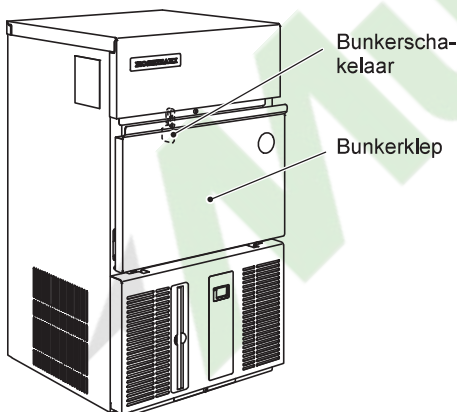
Draag altijd beschermende handschoenen bij het dragen van de machine.

Werk met zijn tweeën bij het verplaatsen van de doos of de uitgepakte machine om letsel te voorkomen.

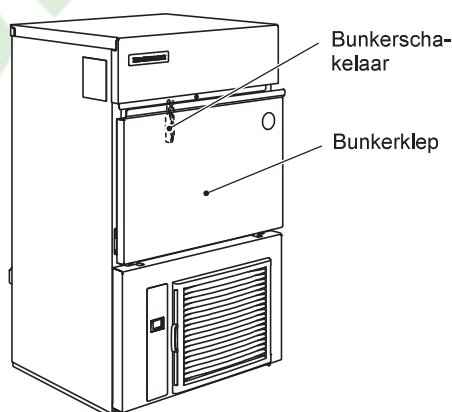
#### LET OP

Verwijder kartonnen doos, tape en ander verpakkingsmateriaal. Als er verpakkingsmateriaal achterblijft in de ijsmachine, werkt deze niet goed.

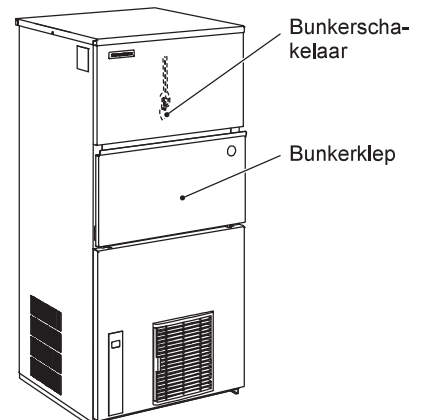
- 1) Verwijder alle verpakking en controleer of de ijsmachine in goede staat verkeert. Gebruik de ijsmachine niet in geval van twijfel, maar raadpleeg bevoegd servicepersoneel.
- 2) Verwijder het transporttape waarmee de bunkerklep en het voorpaneel zijn vastgezet.
- 3) Verwijder de beschermfolie van de buitenkant. Als de ijsmachine is blootgesteld aan de zon of aan hitte, verwijdert u de folie nadat de ijsmachine is afgekoeld.
- 4) Verwijder het pakket met de accessoires. Controleer de inhoud aan de hand van "2. ACCESSOIRES".
- 5) Verwijder het transporttape waarmee de bunkerschakelaar is vastgezet door de bunkerklep te openen en naar binnen te reiken.



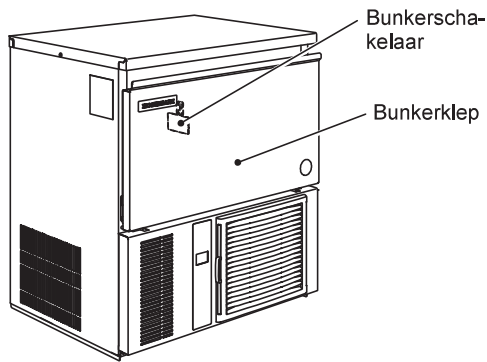
[IM-21CNE-HC, 30CNE-HC]



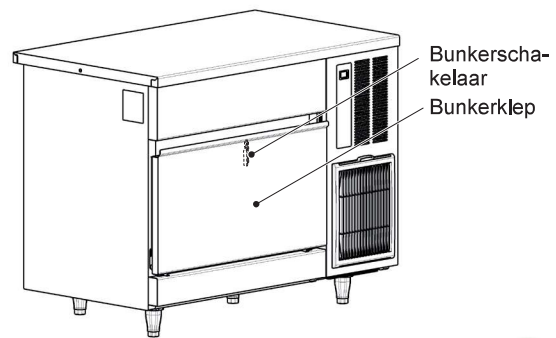
[IM-45NE-HC, 65NE-HC, 100NE/WNE-HC,  
130NE/WNE-HC]



[IM-240NE/WNE-HC]



[IM-45CNE-HC]



[IM-100CNE-HC]

## 4. PLAATSING

### ⚠ WAARSCHUWING

Deze ijsmachine is niet bestemd voor gebruik buitenshuis.

De ijsmachine mag niet naast een oven, grill of andere apparatuur die veel warmte afgeeft worden geplaatst.

Deze machine is niet geschikt om in een ruimte te worden geïnstalleerd die met een waterstraal wordt schoongespoten.

### ⚠ VOORZICHTIG

De ijsmachine moet waterpas op een stevige ondergrond worden geplaatst.

### LET OP

Plaats geen andere apparaten of voorwerpen bovenop de ijsmachine of voor de ventilatieopening.

### BELANGRIJK

De normale omgevingstemperatuur bij bedrijf moet tussen 1°C en 40°C liggen. Er mag uitsluitend koud water worden toegevoerd. Bediening van de ijsmachine gedurende langere perioden buiten dit normale temperatuurbereik kan de productiecapaciteit beïnvloeden.

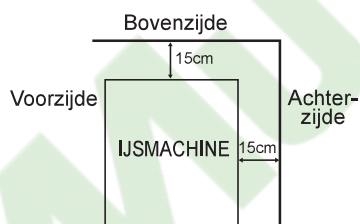
Houd aan de bovenkant de vrije ruimte aan die hieronder staat vermeld. Dit zorgt voor een optimale luchtcirculatie en vergemakkelijkt onderhouds- en/of reparatiewerkzaamheden.

[IM-21CNE-HC, 30CNE-HC, 45CNE-HC, 240WNE-HC]

[IM-240NE-HC] \* Geen vrije ruimte nodig aan de zijkanten

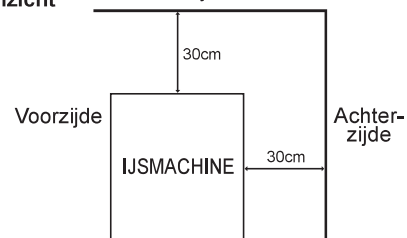
Zijaanzicht

\* Geen vrije ruimte nodig aan de zijkanten



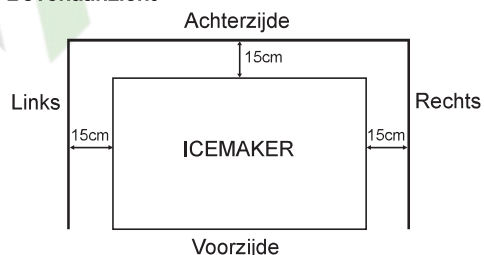
Zijaanzicht

Bovenzijde



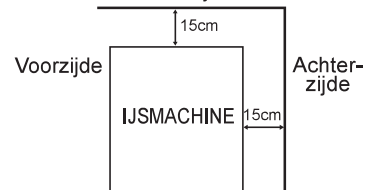
[IM-45NE-HC, 65NE-HC, 100CNE-HC, 100NE/WNE-HC, 130NE/WNE-HC]

Bovenaanzicht



Zijaanzicht

Bovenzijde



In sommige zeer vochtige omgevingen kan condensvorming optreden in de machine die vervolgens op de vloer druipst. Installeer de ijsmachine niet in een ruimte waar de vloer kan worden aangetast door water.

Voorkom langdurige blootstelling van de machine aan direct zonlicht.

## 5. INSTALLATIE

### ⚠ VOORZICHTIG

Onjuiste installatie van de ijsmachine kan schade toebrengen aan mens, dier en omgeving. De fabrikant aanvaardt geen aansprakelijkheid voor schade en/of letsel ten gevolge van het onjuist installeren van de machine.

\* Plaats de ijsmachine op een permanente locatie.

#### [Behalve IM-21CNE-HC]

\* Zet de ijsmachine waterpas, zowel van links naar rechts als van voor naar achter, bij het aanbrengen van de stelvoetjes (accessoires).

## 6. ELEKTRISCHE AANSLUITINGEN

### ⚠ WAARSCHUWING

#### DEZE MACHINE MOET WORDEN GEAARD

Deze ijsmachine moet worden geaard volgens de geldende voorschriften.

Ter voorkoming van ernstig persoonlijk letsel en materiële schade als gevolg van elektrische schokken, dient deze ijsmachine te worden voorzien van een correct aangebrachte aardleiding.

Verwijder de stekker uit het stopcontact voordat u onderhouds-, reparatie- of reinigingswerkzaamheden gaat uitvoeren.

\* Deze machine vereist een aparte voeding van 220 - 240 V wisselstroom, 10 A [IM-21CNE-HC, 30CNE-HC, 45CNE/NE-HC, 65NE-HC, 100CNE/NE/WNE-HC, 130NE/WNE-HC] / 13 A [IM-240NE/WNE-HC]. Het stopcontact moet worden beschermd door een geschikte stroomonderbreker.

\* De hoofdzekering van de besturingskast heeft een nominale waarde van 5 A en mag alleen worden vervangen door een erkende onderhoudsmonteur.

\* Normaalgesproken dient men te beschikken over de juiste vergunningen en/of de hulp in te roepen van een erkend elektricien.

#### Alleen voor het Verenigd Koninkrijk en Ierland:

\* De draden van de netvoeding hebben een kleurcode:

Groen/geel = aarde

Blauw = neutraal

Bruin = stroomvoerend

Als de gekleurde draden in de voedingskabel van deze machine zijn aangesloten op stekkerpolen met een afwijkende kleur, dient u het volgende te doen:

Sluit de groen/gele draad in de stekker aan op de groen/gele of groene stekkerpool of anders op de stekkerpool die is aangeduid met de letter E of het symbool  $\perp$ . Sluit de blauwe draad aan op de zwarte stekkerpool of op de stekkerpool die is aangeduid met de letter N. Sluit de bruine draad aan op de rode stekkerpool of op de stekkerpool die is aangeduid met de letter L.

\* Als het stopcontact waarop u de ijsmachine wilt aansluiten niet geschikt is voor de stekker die aan de voedingskabel van de ijsmachine zit, dient de stekker te worden verwijderd (een gegoten stekker wordt afgesneden) en vervangen door een geschikte stekker.

De gegoten stekker die van de voedingskabel is afgesneden, moet worden weggegooid. Hij mag niet opnieuw worden gebruikt. Wanneer deze stekker elders in een stopcontact wordt gestoken, zorgt dit voor een groot risico van elektrische schokken.

\* De gegoten stekker mag uitsluitend in combinatie met een zekeringhouder worden gebruikt.

Het referentienummer van de fabrikant is in de stekker ingeslagen. In geval u de zekeringhouder vervangt, dient een vervangend exemplaar van hetzelfde type te worden gebruikt.

Zekeringhouders zijn te verkrijgen via de onderdelen- en servicecentra van Hoshizaki.

Gebruik zekeringen van 13 A die zijn goedgekeurd volgens BS 1362.

## 7. AANSLUITING VAN WATERTOEOVOER- EN WATERAFVOERLEIDINGEN

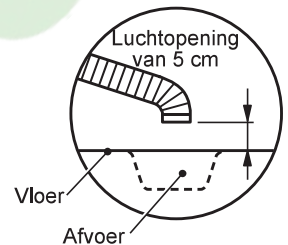
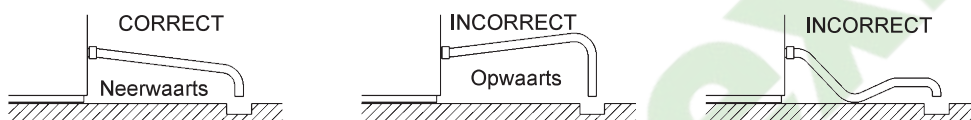
### ▲ WAARSCHUWING

Mag alleen worden aangesloten op een drinkwaterleiding voor koud water.

- \* De aansluitingen aan de drinkwaterleiding moeten worden uitgevoerd in overeenstemming met de huidige vereisten van het land in de regelgeving met betrekking tot watertoevoer of -accessoires.
- \* Het water om ijs mee te maken moet drinkwater zijn. Waar vorming van ketelsteen kan optreden ten gevolge van de waterkwaliteit:
  - Installatie van een extern filter of zachtmaker wordt aanbevolen. Neem contact op met uw plaatselijke waterbehandelingspecialist of Hoshizaki-servicebedrijf.
  - Overschakelen naar de modus "volledig doorspoelen" wordt aanbevolen. Neem contact op met uw plaatselijke Hoshizaki-servicebedrijf.
- \* De watertoevoerdruk moet tenminste 0,07 MPa (0,7 bar) bedragen en mag niet hoger dan 0,8 MPa (8 bar) zijn. Als de waterdruk hoger is dan 0,8 MPa (8 bar), moet gebruik worden gemaakt van een reduceerventiel. De watertoevoer kraan mag voor dit doel NIET gedeeltelijk worden dichtgedraaid.
- \* In sommige gebieden kan een loodgietersvergunning of het inschakelen van een erkend loodgieter verplicht zijn.
- \* De waterafvoer van de ijsmachine stroomt onder natuurlijk verval; de afvoerslang moet dus voldoende verval hebben.

\* Afvoerleidingen mogen niet rechtstreeks op de riolering worden aangesloten. Houd een verticale luchtopening van minimaal 5 cm aan tussen het uiteinde van de afvoerslangen van ijsmachine en de vloerafvoer.

\* Om terugstromen van afvoerwater naar de bunker te voorkomen, moet de afvoerslang worden geplaatst zoals afgebeeld.



\* Bij het watergekoelde model kan het nodig zijn een terugslagklep in het koelwatercircuit te plaatsen.

\* Gebruik de nieuwe slangensets die met het apparaat zijn meegeleverd. Gebruik oude slangensets niet opnieuw.

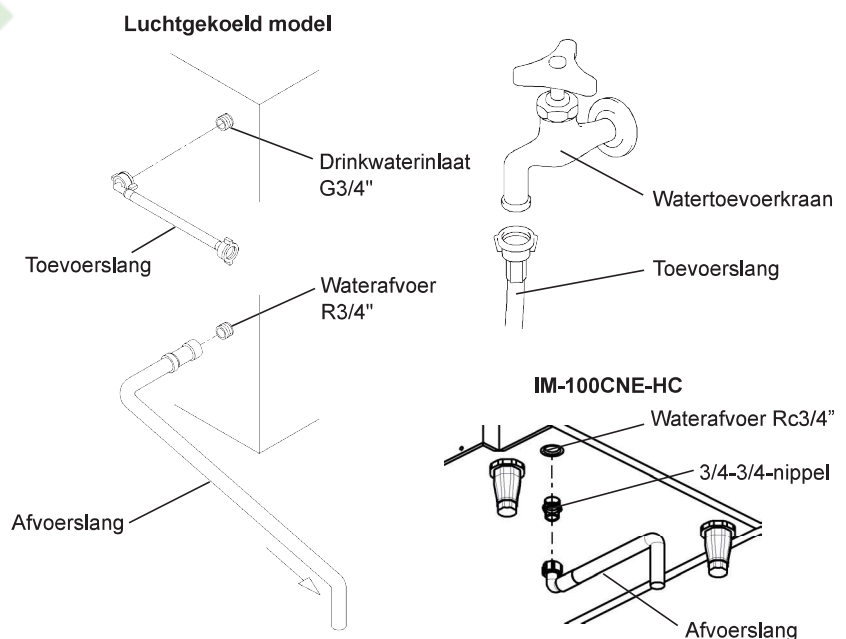
### [Luchtgekoeld model]

1) Bevestig het gebogen uiteinde van de flexibele toevoerslang (accessoire) aan de G 3/4"-aansluiting aan de achterzijde van de ijsmachine zoals weergegeven. Let er daarbij op dat de rubber afstandsring goed is aangebracht. Voorkom lekkage door de aansluiting handvast aan te draaien.

2) Bevestig het andere uiteinde van de toevoerslang aan de waterkraan. Zorg ervoor dat de afdichting goed is aangebracht voordat u de aansluiting handvast aandraait. Het verdient aanbeveling een afsluitkraan te monteren op een goed bereikbare plek.

3) [Behalve IM-100CNE-HC]

Bevestig de flexibele grijze afvoerslang (accessoire) aan de R3/4"-aansluiting aan de achterzijde van de ijsmachine zoals weergegeven en draai deze handvast aan. Let er daarbij op dat de rubberen afstandsring goed is aangebracht om lekkage te voorkomen. De slang kan zonodig op lengte worden gesneden voor een passende aansluiting op de hoofdafvoer.



# NEDERLANDS

[IM-100CNE-HC]

Draai de 3/4"-3/4"-nippel (accessoire) met behulp van een geschikte (schroef) sleutel in de Rc3/4"-aansluiting aan de onderzijde van de ijsmachine zoals weergegeven. Voor een lek vrije verbinding moet PTFE-tape en/of een geschikte afdichtingspasta worden gebruikt.

Opmerking: de koppelingselementen moeten zijn goedgekeurd en moeten geschikt zijn voor gebruik met drinkwater.

Bevestig de flexibele grijze afvoerslang (accessoire) aan de 3/4"-3/4"-nippel zoals weergegeven en draai deze handvast aan. Let er daarbij op dat de rubberen afstandsring goed is aangebracht om lekkage te voorkomen. De slang kan zondig op lengte worden gesneden voor een passende aansluiting op de hoofdafvoer.

## [Watergekoeld model]

- \* Hoshizaki raadt aan om de watergekoelde condensor aan te sluiten op een hercirculerend koelsysteem met gesloten circuit, voorzien van een toren, waterkoeler of gelijksoortige installatie. Het vullen met water moet via een kogelventiel/mengvat plaatsvinden.
- \* Hoewel het aansluiten van een watergekoelde condensor op een drinkwaterleiding geen invloed heeft op de prestaties van de machine, wordt dit in verband met het hoge verbruik afgeraden.
- \* Voor een correcte installatie moet een bevoegde of erkende loodgieter worden ingeschakeld.
- \* De aansluitingen moeten in overeenstemming zijn met de van toepassing zijnde landelijke of plaatselijke voorschriften.

## [a] Standaardaansluiting volgens de WRAS-voorschriften in het Verenigd Koninkrijk.

\* Bij het kiezen van een koeltoren moet u rekening houden met de volgende piekwaarden van de warmtestroming in de condensor:

Model	IM-100/130W:	1165W
	IM-240W:	5235 W

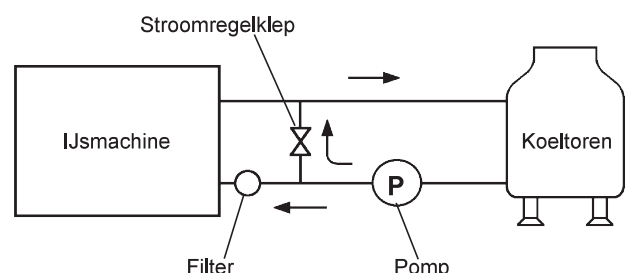
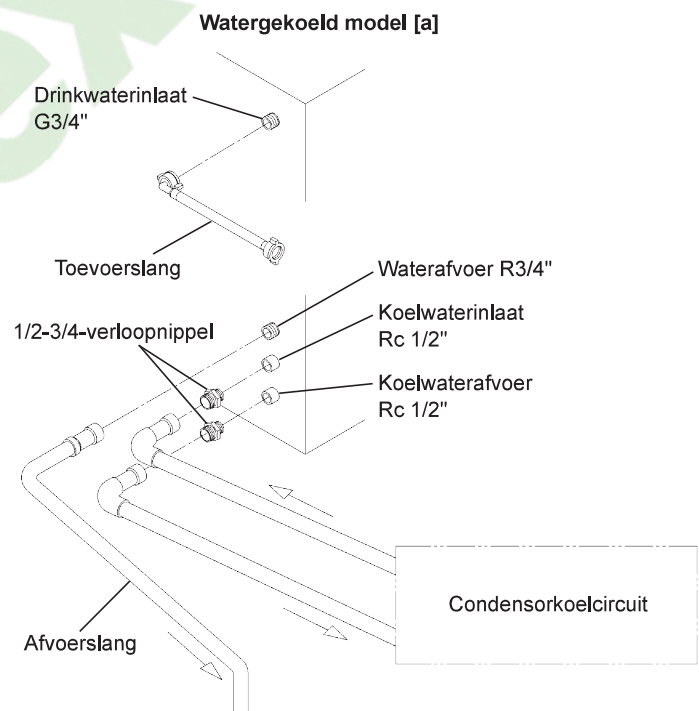
- \* Leidingen tussen de koeltoren en de ijsmachine moeten minstens 20 mm in doorsnee zijn om drukverlies op te vangen, ondanks dat de aansluitingen van de ijsmachine zelf 13 mm in doorsnee zijn.
- \* Drukverlies in het watercircuit binnen de ijsmachine zal 5 tot 6 m bedragen als het koelwater een stroomsnelheid heeft van 4 tot 5 l/min.
- \* Houd bij het selecteren van een circulatiepomp rekening met bovenstaande warmtestromingswaarden.
- \* Gebruik geen cascadepomp omdat het waterregelventiel de stroming zal variëren en deze tijdens de ontdooicyclus zal stoppen.

## [Ijsmachineaansluitingen]

- 1) Bevestig het gebogen uiteinde van de flexibele toevoerslang (accessoire) aan de G3/4"-aansluiting aan de achterzijde van de ijsmachine zoals weergegeven. Let er daarbij op dat de rubber afdichting goed is aangebracht. Voorkom lekkage door de aansluiting handvast aan te draaien.
- 2) Bevestig het andere uiteinde van de toevoerslang aan de waterkraan. Zorg ervoor dat de afdichting goed is aangebracht voordat u de aansluiting handvast aandraait.

Opmerking: Indien waterfiltering of -zuivering wordt gebruikt, dient u ervoor te zorgen dat alleen de ijsmachine is aangesloten op de gezuiverde watertoevoer, niet de condensor.

- 3) Draai de flexibele grijze afvoerslang (accessoire) handvast aan op de R3/4" aansluiting aan de achterzijde van de ijsmachine zoals aangegeven. Zorg er daarbij voor dat de rubber afdichting goed is



aangebracht voor een lekvrije aansluiting. De slang kan zonnig op lengte worden gesneden voor een passende aansluiting op de hoofdafvoer.

- 4) Draai de 1/2"-3/4"-nippels (accessoire) met behulp van een geschikte (schroef)sleutel in de Rc1/2"-aansluitingen aan de achterzijde van de ijsmachine zoals weergegeven. Voor een lekvrije verbinding moet PTFE-tape en/of een geschikte afdichtingspasta worden gebruikt.

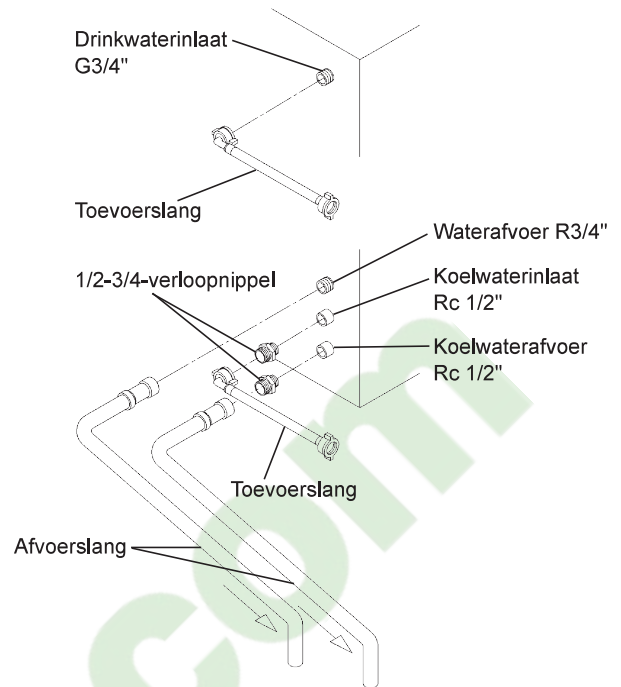
Opmerking: de koppelingselementen moeten zijn goedgekeurd en moeten geschikt zijn voor gebruik met drinkwater.

- 5) Sluit het condensorkoelcircuit door middel van een onbuigzame pijp aan op de vrije uiteinden van de 1/2"-3/4"-verloopnippels zoals aangegeven.

**[b] Aansluitingen volgens voorschriften die afwijken van de WRAS-voorschriften, met gebruikmaking van meegeleverde slangen.**

- 1) Volg stappen 1 t/m 4 zoals in [a] hierboven.  
 2) Voor condensoraansluitingen moet u de meegeleverde slangen gebruiken en dezelfde aansluitingen maken als in stappen 1 t/m 3, zoals in [a] boven op de vrije uiteinden van de 1/2"-3/4"-nippels zoals aangegeven.

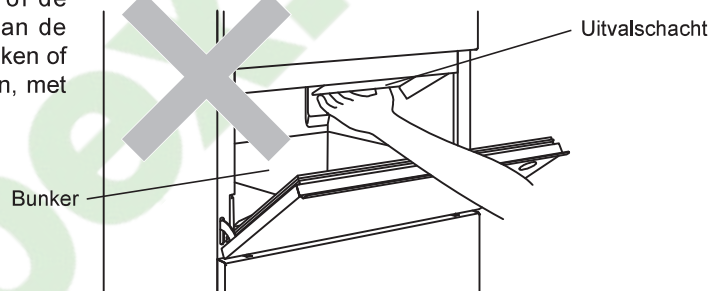
Watergekoeld model [b]



## II. BEDIENING

### ⚠ VOORZICHTIG

Steek uw handen nooit achter in de opslagbunker of de uitvalschacht boven op de opslagbunker. Er kan ijs van de ijsmachine vallen, er kan een hard blok ijs plotseling afbreken of het mechanisme voor ijsproductie kan plotseling bewegen, met letsel als gevolg.



### LET OP

Alle onderdelen zijn in de fabriek afgesteld. Onjuiste aanpassingen kunnen leiden tot storingen.

Om schade aan de compressor te voorkomen, dient u minstens 3 minuten te wachten met het opnieuw inschakelen van de ijsmachine nadat deze is uitgeschakeld.

### ⚠ HYGIËNE

Deze ijsmachine is bestemd voor de productie van consumptieijs. Neem de volgende punten in acht om de ijsmachine schoon te houden:

- \* Was uw handen voordat u ijs uit het apparaat verwijdert. Gebruik de meegeleverde kunststof schep (toebehoren).
- \* De bunker is uitsluitend bestemd voor de opslag van ijs. Bewaar geen andere zaken in de bunker en gebruik geen elektrische apparaten in de bunker.
- \* Maak voor ingebruikname van de ijsmachine eerst de bunker schoon (zie "III. 1. SCHOONMAKEN").
- \* Houd de schep schoon. Gebruik voor het reinigen een neutraal reinigingsmiddel en spoel grondig na.
- \* Sluit de bunkerdeur onmiddellijk nadat u ijs heeft geschept om te voorkomen dat stof, vuil of insecten in de bunker terechtkomen.

## 1. OPSTARTEN

Gewoonlijk wordt de ijsmachine door de installateur in gebruik genomen, waarbij de automatische ijsproductie wordt gestart. Controleer het volgende om een continue werking te waarborgen:

- \* De waterkraan moet openstaan en
- \* De ijsmachine moet zijn aangesloten op de voeding.

## 2. DE IJSMAKER GEREEDMAKEN VOOR LANGDURIGE OPSLAG

### LET OP

Deze ijsmachine werkt niet bij temperaturen onder het vriespunt. Voorkom schade aan de watertoevoerleiding door het water uit het systeem af te tappen zodra de luchttemperatuur onder 0°C daalt.

### ▲HYGIËNE

Als de ijsmachine twee dagen of langer wordt uitgeschakeld, tapt u het water af uit de ijsmachine om verontreiniging in het watercircuit te voorkomen.

- 1) Haal de stekker van de ijsmachine uit het stopcontact of sluit de stroomtoevoer af.
- 2) Draai de watertoevoerkraan dicht en verwijder de toevoerslang.
- 3) Verwijder alle ijs uit de bunker en maak de bunker schoon.
- 4) Vraag een gekwalificeerde medewerker het water af te tappen uit de ijsmachine.

## III. ONDERHOUD

### 1. REINIGEN

#### ▲WAARSCHUWING

Haal de stekker van de ijsmachine uit het stopcontact voordat u met schoonmaak- of onderhoudswerkzaamheden begint.

Deze machine mag niet worden gereinigd met behulp van een waterstraal of hogedrukreiniger.

#### ▲VOORZICHTIG

Bij gebruik van een neutraal schoonmaakmiddel of natriumhypochloriet leest u de meegeleverde instructies zorgvuldig door totdat u deze begrijpt om mogelijke gezondheidsproblemen te voorkomen.

### LET OP

Het watersysteem van de ijsmachine moet minstens tweemaal per jaar worden gereinigd en gezuiverd door een professioneel onderhoudsmonteur. Daarnaast moet de condensor minstens eenmaal per jaar worden gecontroleerd en gereinigd.

Voorkom mogelijke schade door de kunststof onderdelen niet met water warmer dan 40°C of in een afwasmachine te reinigen.

#### [a] Machine en buitenkant bunker

Reinig de buitenkant van de ijsmachine minstens eenmaal per week met een schone, zachte doek. Gebruik een vochtige doek met wat neutraal reinigingsmiddel voor het verwijderen van vet en vuil.

#### [b] Reiniging/ontsmetting van ijsschep en handgreep van ijsbunker (dagelijks)

- 1) Meng 1 liter water met 4 ml 5,25% natriumhypochlorietoplossing in een geschikte houder of gebruik een door Hoshizaki aanbevolen ontsmettingsmiddel.
- 2) Week de schep gedurende meer dan 3 minuten in de oplossing. Spoel de schep zorgvuldig af met water en schud om overtollig water te verwijderen.

Opmerking: door het gebruik van een doek kan de schep opnieuw vuil worden.

- 3) Gebruik een neutraal schoonmaakmiddel voor de handgreep van de ijsbunker. Spoel de onderdelen zorgvuldig af.
- 4) Dompel een schoonmaakdoek in de ontsmettingsoplossing en veeg de handgreep hiermee af. Gebruik schoon water om na te spoelen en droog de handgreep met een schone doek.

#### [c] Reiniging/ontsmetting van binnenzijde bunker (wekelijks)

- 1) Open de bunkerklep en verwijder al het ijs uit de bunker.

- 2) Was de kuip van de bunker met een neutraal niet-schurend schoonmaakmiddel. Spoel de onderdelen zorgvuldig af.
- 3) Dompel een schoonmaakdoek in de neutrale schoonmaakoplossing en veeg beide kanten van de helling en de binnenkant van de deur schoon. Verwijder het schoonmaakmiddel met een schone, vochtige doek.
- 4) Meng 5 liter water met 18 ml 5,25% natriumhypochlorietoplossing in een geschikte houder of gebruik een door Hoshizaki aanbevolen ontsmettingsmiddel.
- 5) Dompel een schoonmaakspons of -doek in de ontsmettingsoplossing en veeg de kuip van de bunker, de bunkerklep en de helling hiermee af.
- 6) De resterende oplossing kan worden gebruikt voor het ontsmetten van gebruiksvoorwerpen.

Opmerking: veeg of spoel voorwerpen niet af nadat u ze hebt ontsmet, maar laat ze drogen in de lucht.

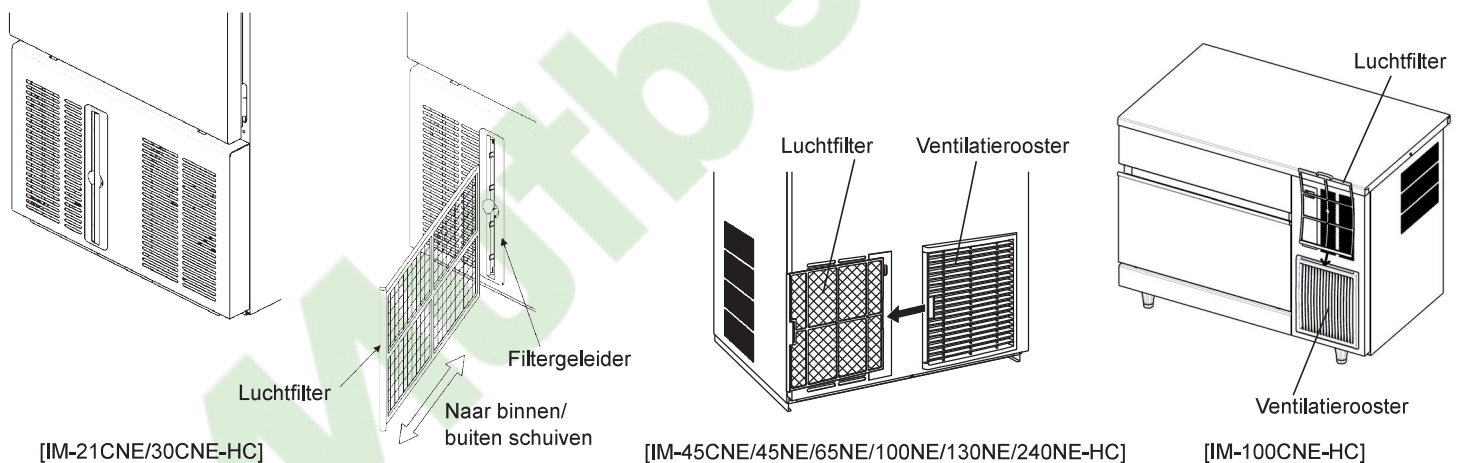
## [d] Luchtfilter (alleen luchtgekoeld model)

Kunststof luchtfilters halen vuil en stof uit de lucht en voorkomen dat de condensor verstopt raakt. Als de filters verstopt raken, gaat de ijsmachine minder goed werken. Het luchtfilter of de luchtfilters moeten minstens tweemaal per maand worden verwijderd en gereinigd:

- 1) Schuif de luchtfilter van de filtergeleider [IM-21CNE/30CNE-HC] of van het ventilatierooster [IM-45CNE/45NE/65NE/100CNE/100NE/130NE/240NE-HC].
- 2) Reinig het luchtfilter met behulp van een stofzuiger. Gebruik bij ernstige vervuiling warm water en een neutraal schoonmaakmiddel om het luchtfilter schoon te maken.
- 3) Spoel het luchtfilter schoon en droog het zorgvuldig af.

### LET OP

Plaats het luchtfilter na reiniging terug in de oorspronkelijke positie.



## 2. VOORDAT U BELT VOOR SERVICE

### ⚠ WAARSCHUWING

Beschadig het koelmiddelcircuit niet.

### [a] Indicatie van foutcode

### ⚠ WAARSCHUWING

Als de foutcode "E" wordt aangegeven op het display, zijn er mogelijk gaslekken. Raak de machine niet aan. Ventileer de ruimte en bel onmiddellijk voor service.



# NEDERLANDS

Code	Mogelijke oorzaak
E1	Fout tijdens vriezen.
E2	Fout tijdens ontdooien.
EE	Andere fout.
EF	Gassensor (indien meegeleverd) detecteert gaslekken.

## [b] Geen indicatie foutcode

Als de ijsmachine niet goed of helemaal niet werkt en er wordt geen foutcode aangegeven op het display, controleert u het volgende voordat u contact opneemt met de serviceorganisatie:

- \* De machine heeft stroom.
- \* De watertoevoer is ingeschakeld.
- \* Het luchtfilter is schoon (luchtgekoeld model).
- \* Het koelwatercircuit stroomt op de juiste manier (watergekoeld model).

Neem voor nadere assistentie of advies contact op met uw plaatselijke Hoshizaki-serviceagent.

## [c] Indicatie van alarmcode

Als de alarmcode A1 of A2 wordt weergegeven, is mogelijk de gassensor defect. Neem contact op met uw plaatselijke Hoshizaki-servicebedrijf.

## 3. VERWIJDERING

Houd u aan de lokale voorschriften met betrekking tot de verwijdering van het apparaat en zijn koelmiddelgas. Verwijder voordat u het apparaat afvoert de klep, om te voorkomen dat kinderen beklemd kunnen raken.

Juiste verwijdering van dit product:

Deze markering geeft aan dat dit product binnen de EU niet samen met ander huishoudelijk afval mag worden afgevoerd. Teneinde mogelijke milieuschade of schade aan de menselijke gezondheid ten gevolge van ongecontroleerde afvoer van afvalstoffen te vermijden, dient u het apparaat op verantwoorde wijze te recyclen om het duurzame hergebruik van materialen mogelijk te maken. U kunt uw gebruikte apparaat terugsturen via de bestaande systemen voor retournering en inzameling, of u kunt contact opnemen met de detailhandelaar waar het product is aangeschaft. Zij kunnen dit product innemen voor milieuveilige recycling.



## 4. GARANTIE

Hoshizaki garandeert de oorspronkelijke eigenaar/gebruiker dat alle producten van het merk Hoshizaki vrij zijn van materiaal- en/of productiefouten voor de duur van de "garantieperiode". De garantie is twee jaar geldig gerekend vanaf de installatiedatum. De aansprakelijkheid van Hoshizaki in het kader van de garantie is beperkt en omvat geen routineonderhoud, reiniging, essentieel onderhoud en/of reparaties ten gevolge van onjuist gebruik en installaties die niet volgens de richtlijnen van Hoshizaki zijn uitgevoerd.

Reparaties in het kader van de garantie moeten worden uitgevoerd door een goedgekeurde Hoshizaki-dealer of serviceorganisatie met behulp van authentieke Hoshizaki-onderdelen.

Voor volledige informatie over uw garantie en over goedgekeurde servicebedrijven, raadpleegt u uw dealer/leverancier of de dichtstbijzijnde vestiging van Hoshizaki.

### Europa, Midden-Oosten, Afrika

Hoshizaki UK - Verenigd Koninkrijk, Ierland  
TEL: +44 845 456 0585  
FAX: +44 132 283 8331  
uksales@hoshizaki.co.uk

Hoshizaki Middle East - Midden-Oosten  
TEL: +971 48 876 612  
FAX: +971 48 876 613  
sales@hoshizaki.ae

Hoshizaki Deutschland - Duitsland, Zwitserland, Oostenrijk  
TEL: +49 2154 92810  
FAX: +49 2154 928128  
info@hoshizaki.de

Hoshizaki Benelux - Nederland, België, Luxemburg  
TEL: +31 85 018 83 70  
info@hoshizaki.nl

Hoshizaki France - Frankrijk  
 TEL: +33 1 48 63 93 80  
 FAX: +33 1 48 63 93 88  
 info@hoshizaki.fr

Hoshizaki Europe B.V. - alle andere Europese landen en Afrika  
 TEL: +31 20 6918499  
 FAX: +31 20 6918768  
 sales@hoshizaki.nl

Hoshizaki Iberia - Spanje, Portugal  
 TEL: +34 93 478 09 52  
 FAX: +34 93 478 08 00  
 info@hoshizaki.es

## Azië, Oceanië

Hoshizaki Singapore  
 TEL: +65 6225 2612  
 FAX: +65 6225 3219

Hoshizaki Hong Kong  
 TEL: +852 2866-2108  
 FAX: +852 2866-2109

Hoshizaki Taiwan  
 TEL: +886 2 2706 8818  
 FAX: +886 2 2708 7998

Hoshizaki Lancer  
 TEL: +61 8 8268 1388  
 FAX: +61 8 8268 1978

## SPECIFICATIES

Model	IM-21CNE-HC	IM-30CNE-HC	IM-45CNE-HC
Type	Luchtgekoeld, ijsblokjes	Luchtgekoeld, ijsblokjes	Luchtgekoeld, ijsblokjes
Stroomvoorziening	1 fase 220 - 240V 50Hz	1 fase 220 - 240V 50Hz	1 fase 220 - 240V 50Hz
Stroomverbruik	225 W	230 W	275 W
IJsproductie per 24 uur	23 kg (5 mm) / 25 kg (15 mm) (omgevings 10°C, water 10°C)	25 kg (5 mm) / 30 kg (15 mm) (omgevings 10°C, water 10°C)	40 kg (5 mm) / 46 kg (15 mm) (omgevings 10°C, water 10°C)
Afmetingen	398 mm (B) x 451 mm (D) x 695 mm (H)	398 mm (B) x 451 mm (D) x 695 mm (H)	633 mm (B) x 511 mm (D) x 690 mm (H)
Koelmiddel	R290, 55 gram	R290, 65 gram	R290, 70 gram
Blaasmiddel voor isolatieschuim	HFC-vrij	HFC-vrij	HFC-vrij
Gewicht	Netto: 34 kg (bruto: 39 kg)	Netto: 34 kg (bruto: 39 kg)	Netto: 45 kg (bruto: 55 kg)
Omgevingstemp.	1 - 40°C	1 - 40°C	1 - 40°C
Watertemperatuur	5 - 35°C	5 - 35°C	5 - 35°C
Waterdruk	0,07 - 0,8 MPa (0,7 - 8 bar)	0,07 - 0,8 MPa (0,7 - 8 bar)	0,07 - 0,8 MPa (0,7 - 8 bar)
Spanningsbereik	Nominale spanning ± 6%	Nominale spanning ± 6%	Nominale spanning ± 6%

Model	IM-45NE-HC	IM-65NE-HC	IM-100CNE-HC
Type	Luchtgekoeld, ijsblokjes	Luchtgekoeld, ijsblokjes	Luchtgekoeld, ijsblokjes
Stroomvoorziening	1 fase 220 - 240V 50Hz	1 fase 220 - 240V 50Hz	1 fase 220 - 240V 50Hz
Stroomverbruik	275 W	320 W	500 W
IJsproductie per 24 uur	40 kg (5 mm) / 46 kg (15 mm) (omgevings 10°C, water 10°C)	52 kg (5 mm) / 62 kg (15 mm) (omgevings 10°C, water 10°C)	92 kg (5 mm) / 105 kg (15 mm) (omgevings 10°C, water 10°C)
Afmetingen	503 mm (B) x 456 mm (D) x 840 mm (H)	633 mm (B) x 506 mm (D) x 840 mm (H)	1004mm (B) x 600 mm (D) x 800 mm (H)
Koelmiddel	R290, 70 gram	R290, 110 gram	R290, 125 gram
Blaasmiddel voor isolatieschuim	HFC-vrij	HFC-vrij	HFC-vrij
Gewicht	Netto: 44 kg (bruto: 50 kg)	Netto: 50 kg (bruto: 60 kg)	Netto: 77 kg (bruto: 88 kg)
Omgevingstemp.	1 - 40°C	1 - 40°C	1 - 40°C
Watertemperatuur	5 - 35°C	5 - 35°C	5 - 35°C
Waterdruk	0,07 - 0,8 MPa (0,7 - 8 bar)	0,07 - 0,8 MPa (0,7 - 8 bar)	0,07 - 0,8 MPa (0,7 - 8 bar)
Spanningsbereik	Nominale spanning ± 6%	Nominale spanning ± 6%	Nominale spanning ± 6%

# NEDERLANDS

Model	IM-100NE-HC	IM-130NE-HC	IM-240NE-HC
Type	Luchtgekoeld, ijsblokjes	Luchtgekoeld, ijsblokjes	Luchtgekoeld, ijsblokjes
Stroomvoorziening	1 fase 220 - 240V 50Hz	1 fase 220 - 240V 50Hz	1 fase 220 - 240V 50Hz
Stroomverbruik	555 W	615 W	930 W
IJsproductie per 24 uur	92 kg (5 mm) / 105 kg (15 mm) (omgevings 10°C, water 10°C)	110 kg (5 mm) / 120 kg (15 mm) (omgevings 10°C, water 10°C)	195 kg (5 mm) / 210 kg (15 mm) (omgevings 10°C, water 10°C)
Afmetingen	704mm (B) x 506 mm (D) x 1200 mm (H)	704 mm (B) x 506 mm (D) x 1200mm (H)	704 mm (B) x 665 mm (D) x 1510mm (H)
Koelmiddel	R290, 120 gram	R290, 120 gram	R290, 147 gram
Blaasmiddel voor isolatieschuim	HFC-vrij	HFC-vrij	HFC-vrij
Gewicht	Netto: 76 kg (bruto: 84 kg)	Netto: 50 kg (bruto: 60 kg)	Netto: 111 kg (bruto: 122 kg)
Omgevingstemp.	1 - 40°C	1 - 40°C	1 - 40°C
Watertemperatuur	5 - 35°C	5 - 35°C	5 - 35°C
Waterdruk	0,07 - 0,8 MPa (0,7 - 8 bar)	0,07 - 0,8 MPa (0,7 - 8 bar)	0,07 - 0,8 MPa (0,7 - 8 bar)
Spanningsbereik	Nominale spanning ± 6%	Nominale spanning ± 6%	Nominale spanning ± 6%

Model	IM-100WNE-HC	IM-130WNE-HC	IM-240WNE-HC
Type	Watergekoeld, ijsblokjes	Watergekoeld, ijsblokjes	Watergekoeld, ijsblokjes
Stroomvoorziening	1 fase 220 - 240V 50Hz	1 fase 220 - 240V 50Hz	1 fase 220 - 240V 50Hz
Stroomverbruik	465 W	550 W	810 W
IJsproductie per 24 uur	80 kg (5 mm) / 90 kg (15 mm) (omgevings 10°C, water 10°C)	100 kg (5 mm) / 110 kg (15 mm) (omgevings 10°C, water 10°C)	190 kg (5 mm) / 205 kg (15 mm) (omgevings 10°C, water 10°C)
Afmetingen	704mm (B) x 506 mm (D) x 1200 mm (H)	704 mm (B) x 506 mm (D) x 1200mm (H)	704 mm (B) x 665 mm (D) x 1510mm (H)
Koelmiddel	R290, 147 gram	R290, 147 gram	R290, 147 gram
Blaasmiddel voor isolatieschuim	HFC-vrij	HFC-vrij	HFC-vrij
Gewicht	Netto: 74 kg (bruto: 82 kg)	Netto: 74 kg (bruto: 82 kg)	Netto: 120 kg (bruto: 131 kg)
Omgevingstemp.	1 - 40°C	1 - 40°C	1 - 40°C
Watertemperatuur	5 - 35°C	5 - 35°C	5 - 35°C
Waterdruk	0,07 - 0,8 MPa (0,7 - 8 bar)	0,07 - 0,8 MPa (0,7 - 8 bar)	0,07 - 0,8 MPa (0,7 - 8 bar)
Spanningsbereik	Nominale spanning ± 6%	Nominale spanning ± 6%	Nominale spanning ± 6%

Opmerking: bovenstaande specificaties zijn voor de standaardmodellen.

**INFORMACIÓN IMPORTANTE DE SEGURIDAD**

A lo largo de este manual aparecerán avisos para llamar su atención sobre situaciones que podrían tener como consecuencia la muerte, heridas graves o daños en la unidad.

<b>▲ADVERTENCIA</b>	Indica una situación peligrosa que, de no evitarse, podría tener como resultado la muerte o heridas graves.
<b>▲ATENCIÓN</b>	Indica una situación peligrosa que, de no evitarse, podría tener como resultado heridas leves o moderadas.
<b>AVISO</b>	Indica una situación peligrosa que, de no evitarse, podría tener como resultado daños en la unidad.
<b>▲HIGIENE</b>	Indica precauciones importantes para la higiene y la seguridad de la comida.
<b>IMPORTANTE</b>	Indica información importante acerca del uso y el cuidado de la unidad.

Esta máquina de hielo utiliza refrigerante (propano) sin HFC, ecológicamente sostenible; lo que significa que no contribuye de modo negativo a la reducción de la capa de ozono ni potencia el calentamiento global.

<b>▲ADVERTENCIA</b>
Esta máquina de hielo contiene refrigerante inflamable en la unidad de refrigeración; por tanto, la instalación, la manipulación, el mantenimiento y la eliminación deben llevarse a cabo únicamente por técnicos autorizados.
El refrigerante que contiene esta máquina de hielo es inflamable y se halla aislado de modo estanco en el sistema de refrigeración. A pesar de que el riesgo de fugas de refrigerante durante el uso normal sea mínimo, extreme las precauciones al manipular la máquina de hielo para evitar causar daños al sistema.
En caso de daños accidentales en el sistema de refrigeración que provoquen una fuga de refrigerante: * No cree una fuente de ignición en la zona. * No utilice interruptores eléctricos o enchufes en la zona. * No utilice una llama descubierta. * Ventile el área de forma inmediata abriendo puertas y ventanas. * Llame al ingeniero del servicio técnico.

<b>IMPORTANTE</b>
Este folleto es una parte integral y esencial del producto y el usuario debe guardarlo en buenas condiciones.
Por favor, lea atentamente las indicaciones y observaciones de este folleto que tratan de ofrecer al instalador/usuario toda la información esencial para la instalación correcta, el uso seguro y el mantenimiento del producto.
Por favor, guarde este folleto para cualquier futura consulta que sea necesaria.

## ▲ADVERTENCIA

Esta máquina de hielo comercial solo debe utilizarse para los fines para los que ha sido expresamente diseñada.

Cualquier otra utilización deberá considerarse inadecuada y, por lo tanto, potencialmente peligrosa. El fabricante no será responsable de ningún daño causado por un uso incorrecto, inadecuado o irracional.

**La instalación y, si fuera necesario, la reubicación, deben ser realizadas únicamente por personal cualificado**, de acuerdo con la normativa vigente y con las instrucciones del fabricante.

Mantenga los orificios de ventilación, de la carcasa de la máquina o de la estructura integrada, libres de cualquier obstrucción.

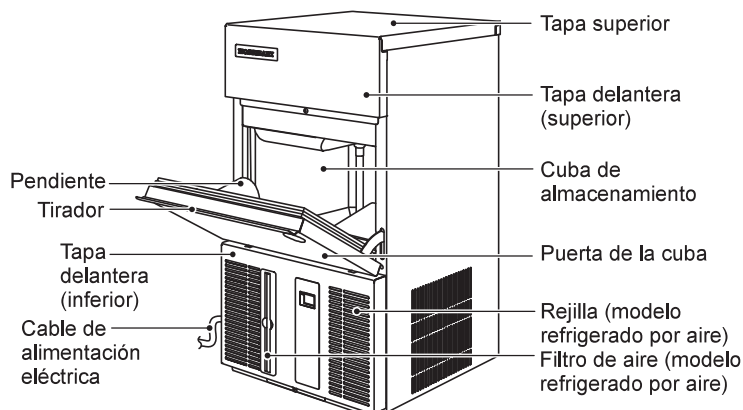
No haga uso de dispositivos mecánicos ni de otros medios distintos de los recomendados por el fabricante para acelerar el proceso de descongelación.

El uso de cualquier aparato eléctrico requiere tener presentes algunas normas fundamentales. En particular:

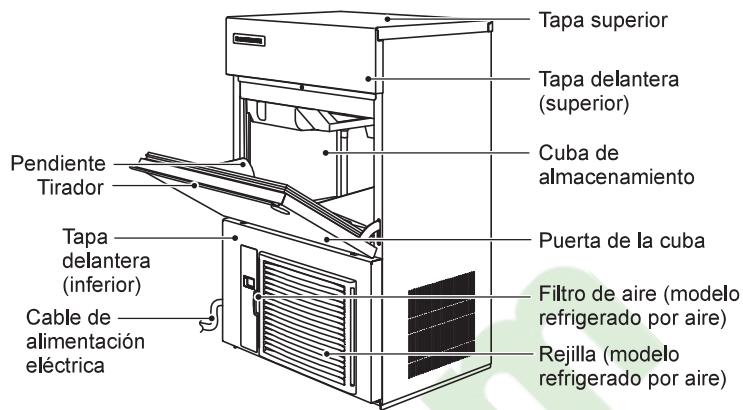
- \* Un alto grado de humedad incrementa el riesgo potencial de cortocircuitos y de descargas eléctricas. En caso de duda, desconecte la máquina de hielo.
- \* No dañe el cable de alimentación eléctrica ni tire de este para desconectar la máquina de hielo de la red eléctrica.
- \* Si se daña el cable de alimentación, deberá sustituirse por un cable de repuesto disponible en los centros de repuestos/servicio de Hoshizaki.
- \* No toque las partes eléctricas ni manipule los interruptores con las manos húmedas.
- \* Este aparato no está diseñado para ser utilizado por personas (incluidos niños) con capacidades físicas, sensoriales o mentales reducidas, o sin experiencia y conocimientos; no obstante, puede ser utilizado por niños de a partir de 8 años y por personas con las minusvalías antes especificadas siempre que se encuentren bajo la supervisión de una persona responsable de su seguridad.
- \* Los niños no deben jugar con el equipo.
- \* Los niños sin supervisión no deben realizar la limpieza ni el mantenimiento de usuario.
- \* No trate de modificar la máquina de hielo. El desmontaje o la reparación de la máquina solo debe ser realizado por personal cualificado.

## I. INSTRUCCIONES DE INSTALACIÓN

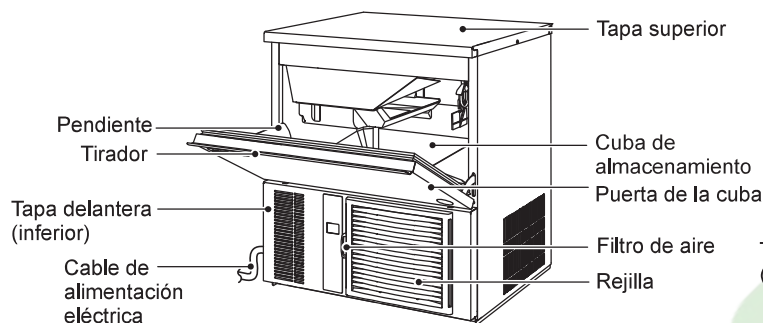
### 1. CONSTRUCCIÓN



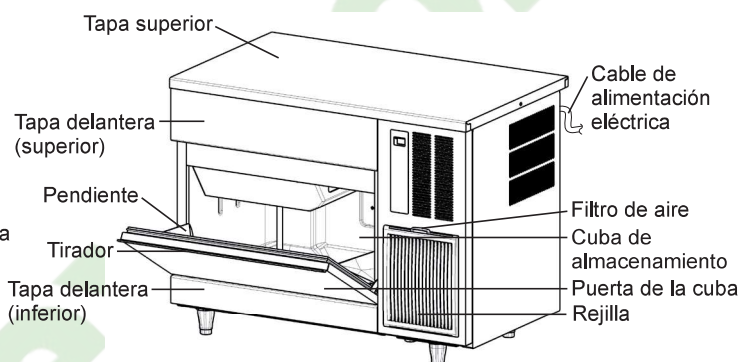
[IM-21CNE-HC, 30CNE-HC]



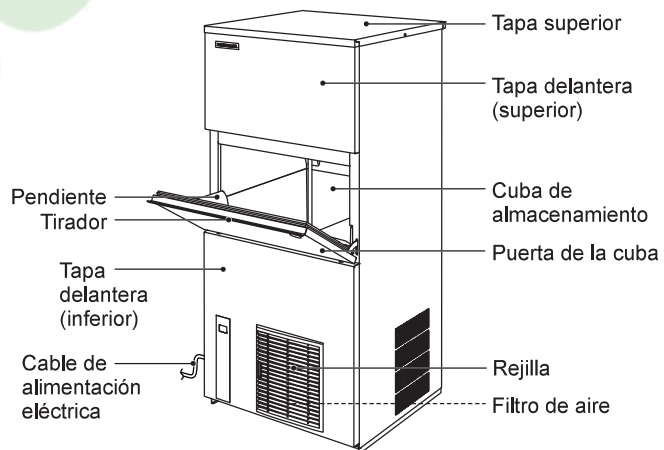
[IM-45NE-HC, 65NE-HC, 100NE/WNE-HC, 130NE/WNE-HC]



[IM-45CNE-HC]



[IM-100CNE-HC]



[IM-240NE/WNE-HC]

### 2. ACCESORIOS

	IM-21CNE-HC	IM-30CNE-HC IM-45CNE-HC IM-45NE-HC IM-65NE-HC IM-100NE-HC M-130NE-HC IM-240NE-HC	IM-100CNE-HC	IM-100WNE-HC IM-130WNE-HC IM-240WNE-HC
CD	1	1	1	1
Pala	1	1	1	1
Manguera de entrada	1	1	1	2
Manguera de salida	1	1	1	2
Boquilla 1/2-3/4	-	-	-	2
Pata	-	4	5	4
Tapa del conector	1	1	1	1
Boquilla 3/4-3/4	-	-	1	-



CD



Pala



Manguera de entrada



Manguera de salida



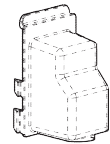
Boquilla  
3/4-3/4



Boquilla  
1/2-3/4



Pata



Tapa del conector

### 3. DESEMBALAJE

#### ⚠ ADVERTENCIA

No deje al alcance de los niños el material de embalaje (bolsas de plástico y poliestireno expandido), ya que son fuentes potenciales de peligro.

#### ⚠ ATENCIÓN

No levante ni manipule el cartón usando las cintas de embalaje.

Si se va a desplazar la unidad a mano, sostenga la parte inferior de la unidad.

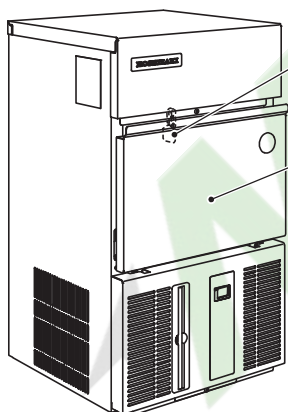
Lleve siempre guantes protectores al transportar la unidad.

Cuando vaya a manipular el cartón o la unidad desembalada, hágalo con la ayuda de otra persona para evitar daños.

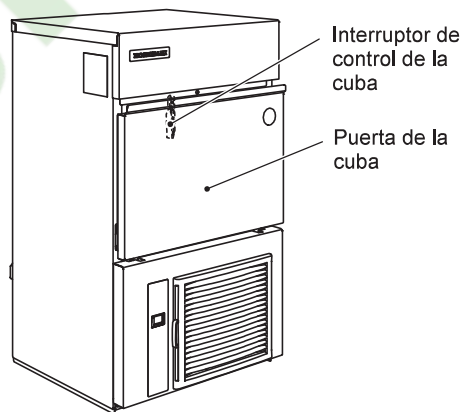
#### AVISO

Retire el cartón, la(s) cinta(s) y el embalaje de expedición. La máquina de hielo no funcionará correctamente si no se quita el material de embalaje.

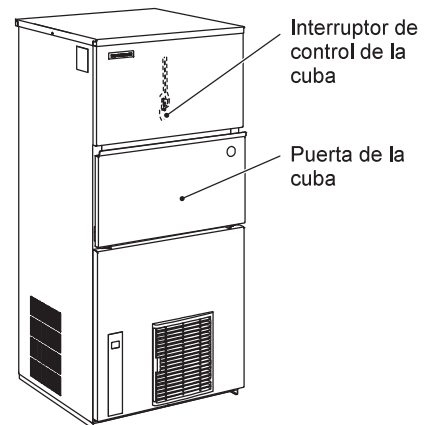
- 1) Una vez retirado el embalaje, verifique que la máquina de hielo se encuentra en buen estado. En caso de duda, no use la máquina de hielo y consulte a profesionales cualificados.
- 2) Retire la cinta de embalaje que sujeta la puerta y la tapa delantera.
- 3) Retire el plástico protector del exterior. Si la máquina de hielo está expuesta al sol o al calor, quítele la película una vez que se haya enfriado.
- 4) Retire el embalaje de los accesorios. Verifique el contenido de acuerdo con "2. ACCESORIOS".
- 5) Quite la cinta de embalaje que sujeta el interruptor de control de la cuba abriendo la puerta de la cuba y llegando a ella.



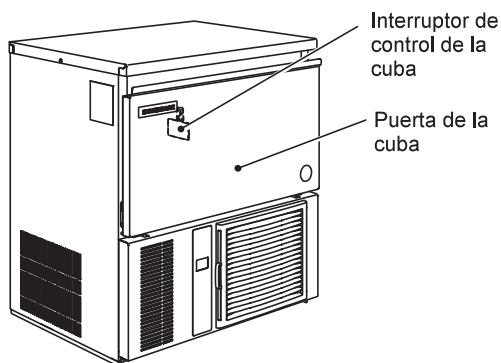
[IM-21CNE-HC, 30CNE-HC]



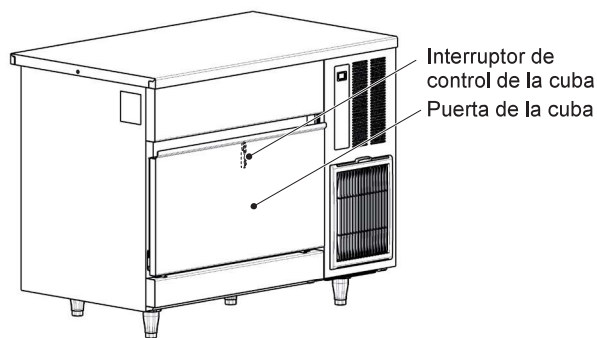
[IM-45NE-HC, 65NE-HC, 100NE/WNE-HC,  
130NE/WNE-HC]



[IM-240NE/WNE-HC]



[IM-45CNE-HC]



[IM-100CNE-HC]

## 4. UBICACIÓN

### ⚠ ADVERTENCIA

Esta máquina de hielo no está diseñada para uso en el exterior.

La máquina de hielo no debe colocarse cerca de hornos, parrillas u otras fuentes de calor.

Este aparato no es apropiado para su instalación en una zona en la que pueda haber un chorro de agua.

### ⚠ ATENCIÓN

La máquina de hielo debe ubicarse sobre una base firme y nivelada.

### AVISO

No coloque nada encima de la máquina de hielo ni delante de la rejilla.

### IMPORTANTE

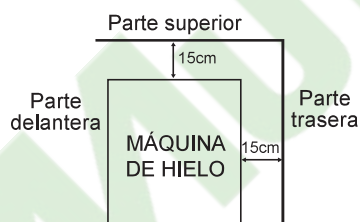
La temperatura ambiente normal de funcionamiento deberá oscilar entre 1 °C y 40 °C. La conexión al suministro de agua es únicamente para agua fría. La utilización de la máquina de hielo fuera de estos márgenes de temperatura normal por periodos prolongados puede afectar su capacidad de producción.

Deje el espacio especificado a continuación para permitir la circulación de aire y facilitar las eventuales operaciones de reparación o mantenimiento.

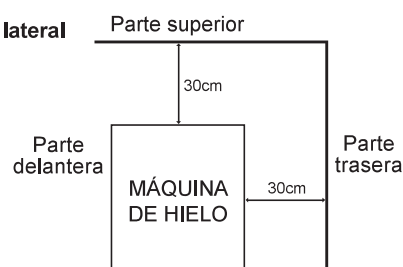
[IM-21CNE-HC, 30CNE-HC, 45CNE-HC, 240WNE-HC]

[IM-240NE-HC] \* No es necesario dejar espacio entre los laterales de la máquina

Vista lateral



Vista lateral

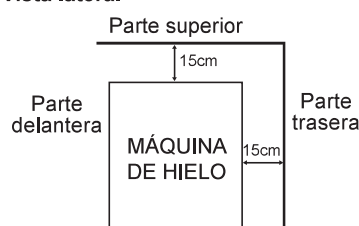


[IM-45NE-HC, 65NE-HC, 100CNE-HC, 100NE/WNE-HC, 130NE/WNE-HC]

Vista superior



Vista lateral



Es posible que en algunos entornos con un nivel alto de humedad se forme condensación en el interior de la máquina y gotee en el suelo. No la instale en suelos sensibles al agua.

Evite la exposición prolongada del equipo a la luz del sol directa.



## 5. INSTALACIÓN

### ⚠ ATENCIÓN

El fabricante no se hace responsable de los daños a personas, animales u otros elementos provocados por una instalación incorrecta.

\* Sitúe la máquina de hielo en la ubicación permanente escogida.

[Excepto IM-21CNE-HC]

\* Al colocar las patas ajustables (acesorias), nivele la unidad tanto respecto del eje lateral como del anteroposterior.

## 6. CONEXIONES ELÉCTRICAS

### ⚠ ADVERTENCIA

#### ESTA MÁQUINA DEBE CONECTARSE A TIERRA

Esta máquina de hielo requiere una conexión a tierra conforme a la normativa eléctrica nacional y local.

Para evitar la posibilidad de fuertes descargas eléctricas a personas o graves averías de la unidad, conecte a la máquina un cable de puesta a tierra adecuado.

Antes de realizar operaciones de mantenimiento, reparación o limpieza, desconecte la unidad de la red eléctrica.

\* Este equipo necesita una alimentación de 220 – 240 VCA, 10 A [IM-21CNE-HC, 30CNE-HC, 45CNE/NE-HC, 65NE-HC, 100CNE/NE/WNE-HC, 130NE/WNE-HC] / 13 A [IM-240NE/WNE-HC] aparte. El suministro eléctrico debe protegerse con un disyuntor apropiado.

\* El fusible principal de la caja de control es de 5 A y solo debe sustituirlo un técnico de mantenimiento cualificado.

\* Normalmente son necesarios un permiso para obras eléctricas y los servicios de un electricista acreditado.

#### Únicamente en el Reino Unido y la República de Irlanda

\* Los hilos del cable de red están coloreados de acuerdo con el código siguiente:

Verde y amarillo = Tierra

Azul = Neutro

Marrón = Activo

Es posible que los colores de los hilos del cable de red de este equipo no se correspondan con las marcas de color que identifican los terminales del enchufe que se utilice. En ese caso, proceda del modo siguiente:

El hilo verde y amarillo se debe conectar al terminal del enchufe marcado con la letra E o con el símbolo  $\perp$ , o de color verde o de color verde-amarillo. El hilo azul debe conectarse al terminal marcado con la letra N o de color negro. El hilo marrón debe conectarse al terminal marcado con la letra L o de color rojo.

\* En caso de que las tomas de corriente del lugar donde se va a instalar no sean adecuadas para el enchufe que se suministra con el producto, debe sustituirse el enchufe (cortándolo si está moldeado) por uno adecuado.

Si la clavija no reutilizable se ha cortado del cable de alimentación, dicha clavija debe desecharse. No trate de reutilizarla. La introducción de esta clavija en cualquier toma de corriente representa un grave riesgo de descarga eléctrica.

\* La clavija no reutilizable no debe utilizarse nunca sin una tapa de fusibles montada.

El recambio correcto de la tapa de fusibles desmontable se identifica por el número de referencia del fabricante grabado en la propia clavija.

Puede obtener tapas de fusibles de repuesto en los centros de repuestos/servicio de Hoshizaki.

Los fusibles deben ser de 13 A y estar homologados según BS 1362.

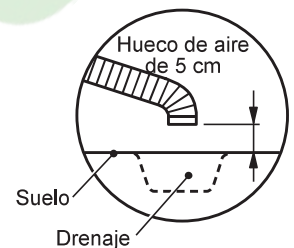
## 7. SUMINISTRO DE AGUA Y CONEXIONES DE DRENAJE

### ⚠ ADVERTENCIA

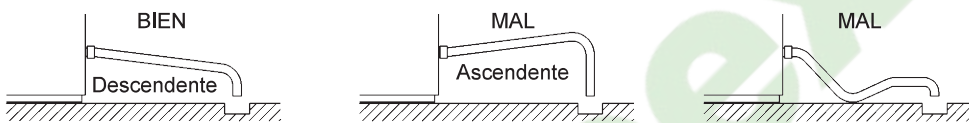
Conecte la máquina únicamente a un suministro de agua fría potable.

- \* La conexión a la red de suministro general de agua debe hacerse según la regulación vigente de cada país en materia de suministro de agua o racores.
- \* El agua de la máquina de hielo debe ser potable. En los casos en los que la acumulación de sarro se deba a la calidad del agua:
  - Se recomienda la instalación de un descalcificador o un filtro externo. Póngase en contacto con un profesional en el tratamiento de aguas local o con un agente de servicio de Hoshizaki.
  - Se recomienda el cambio al modo de "aclaramiento con drenaje completo". Póngase en contacto con el servicio técnico de Hoshizaki de su zona.
- \* La presión del suministro de agua debe ser de 0,07 MPa (0,7 bar) como mínimo y de 0,8 MPa (8 bar) como máximo. Si la presión es superior a 0,8 MPa (8 bar), utilice una válvula reductora adecuada. **NO** trate de reducir la presión actuando sobre la llave de paso.
- \* En algunas localidades pueden ser necesarios un permiso para obras de fontanería y los servicios de un fontanero acreditado.
- \* El drenaje de la máquina de hielo se realiza por gravedad, de modo que la manguera de drenaje debe disponer de la pendiente y altura adecuadas.

\* Las tuberías no deberían instalarse directamente al drenaje. Debe quedar un hueco de aire vertical de al menos 5 cm entre el extremo de las mangueras de drenaje de la máquina de hielo y el drenaje del suelo.



\* Para prevenir el retorno de flujo a la cuba de almacenamiento, la manguera de salida debe disponerse como se muestra.



\* En los modelos refrigerados por agua, puede ser necesario instalar un dispositivo que impida el reflujo en el circuito de agua de refrigeración.

\* Asegúrese de que utiliza los tubos nuevos que se suministran con el equipo. No reutilice ninguna manguera antigua.

### [Modelo refrigerado por aire]

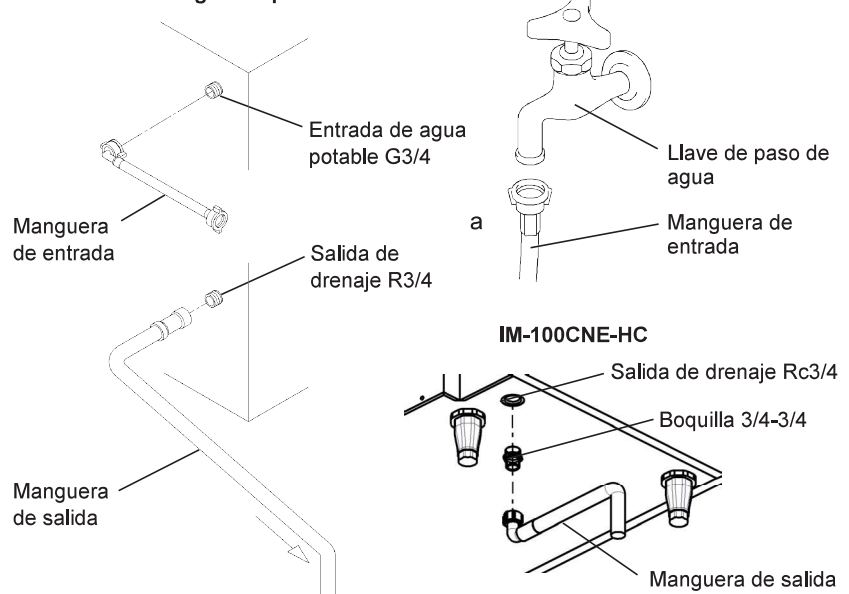
1) Una el extremo acodado de la manguera flexible de entrada (accessoria) al racor G3/4 en la parte trasera de la máquina de hielo, tal como se muestra, verificando que la junta de goma quede correctamente colocada. Apriete a mano lo suficiente para conseguir una junta estanca.

2) Acople el otro extremo de la manguera de entrada al colector de agua, comprobando, antes de apretar mano, que la junta esté bien colocada. Como medida de precaución, es conveniente tener a mano una válvula de cierre.

3) [Excepto IM-100CNE-HC]

Apriete a mano la manguera flexible gris de salida (accessoria) en el racor R3/4 en la parte trasera de la máquina de hielo tal como se muestra, verificando que la arandela de goma quede correctamente colocada para obtener una conexión estanca. Puede cortar la manguera a la longitud necesaria ajustándolo a la posición del drenaje principal.

### Modelo refrigerado por aire



[IM-100CNE-HC]

Con unos alicates o una llave adecuada, apriete la boquilla 3/4-3/4 (accesoria) a el racor Rc3/4 de la parte inferior de la máquina, tal como se muestra. Debe utilizarse cinta P.T.F.E. y/o un compuesto sellador adecuado para obtener una junta estanca.

Nota: Los componentes de la junta deben ser adecuados y homologados para uso con agua potable.

Apriete a mano la manguera flexible gris de salida (accesoria) en el racor R3/4 tal como se muestra, verificando que la arandela de goma quede correctamente colocada para obtener una conexión estanca. Puede cortar la manguera a la longitud necesaria ajustándolo a la posición del drenaje principal.

## [Modelo refrigerado por agua]

- \* Hoshizaki recomienda conectar el condensador refrigerado por agua a un sistema de refrigeración de circuito cerrado que utilice una torre, refrigerador de agua o similar. La admisión de agua debe efectuarse mediante una disposición con válvula de bola/depósito de vaciado.
- \* Aunque conectar un condensador refrigerado por agua a la red de suministro general de agua (potable) no afectará al funcionamiento de la máquina, con toda probabilidad provocará un alto consumo/desperdicio de un recurso valioso, por lo que no se recomienda.
- \* Para asegurar una correcta instalación debe recurrirse a los servicios de un fontanero acreditado.
- \* Las conexiones deben efectuarse adecuadamente y conforme a las normativas nacionales o locales vigentes.

## [a] Conexiones estándar de acuerdo con las normativas WRAS en el Reino Unido.

\* Para seleccionar una torre de refrigeración, remítase a los valores máximos siguientes de flujo de calor en el condensador:

Modelo IM-100/130W:	1165 W
IM-240W:	5235 W

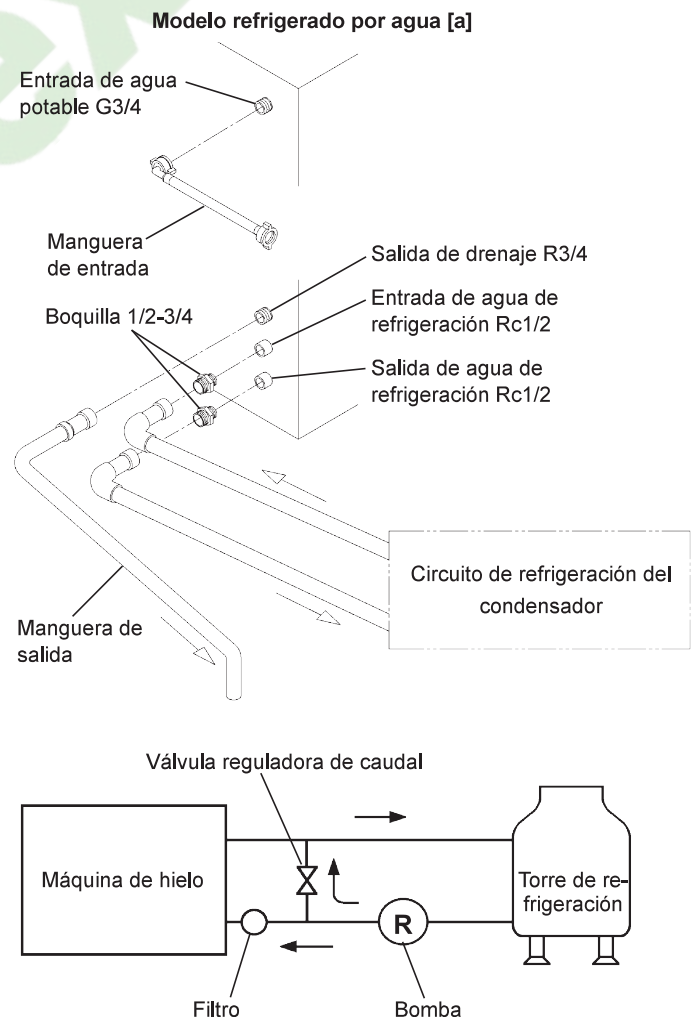
- \* Los tubos entre la torre de refrigeración y la máquina de hielo deben tener un diámetro mínimo de 20 mm a fin de reducir la pérdida de presión, aun cuando los racores de la máquina tengan un diámetro de 13 mm.
- \* La pérdida de presión en el circuito de agua en el interior de la unidad será de 5-6 m cuando el agua de refrigeración circule a 4-5 l/min.
- \* Seleccione una bomba de circulación conforme a los valores anteriormente indicados de flujo de calor.
- \* No utilice una bomba en cascada, puesto que el regulador de agua alterará el caudal y lo detendrá durante el ciclo de descongelación.

## [Conexiones de la máquina de hielo]

- 1) Una el extremo acodado de la manguera flexible de entrada (accesoria) al racor G3/4 en la parte posterior de la máquina de hielo, tal como se muestra, verificando que la junta de goma quede correctamente colocada. Apriete a mano lo suficiente para conseguir una junta estanca.
- 2) Acople el otro extremo de la manguera de entrada al colector de agua, comprobando, antes de apretar a mano, que la junta esté bien colocada.

Nota: Si se utiliza un filtro o tratamiento del agua, asegúrese de que solo se suministre agua tratada a la parte de fabricación de hielo y no al condensador.

- 3) Una la manguera gris de salida (accesoria) en el racor R3/4 en la parte posterior de la máquina de hielo, tal como se muestra, verificando que la junta de goma quede correctamente colocada



antes de apretar a mano la unión. Puede cortar la manguera a la longitud necesaria ajustándolo a la posición del drenaje principal.

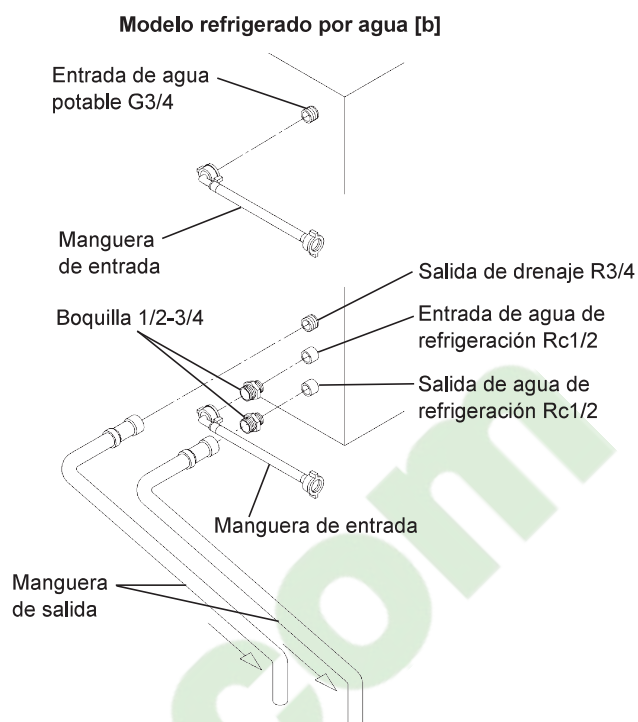
- 4) Con unos alicates o una llave adecuada, apriete las boquillas 1/2-3/4 (acesorias) a los racores Rc1/2 de la parte posterior de la máquina, tal como se muestra. Debe utilizarse cinta P.T.F.E. y/o un compuesto sellador adecuado para obtener una junta estanca.

Nota: Los componentes de la junta deben ser adecuados y homologados para uso con agua potable.

- 5) Conecte el circuito de refrigeración del condensador al extremo libre de las boquillas 1/2-3/4 como se muestra con un tubo rígido de tipo adecuado.

### [b] Conexiones conforme a normativas diferentes a WRAS con mangueras accesorias

- 1) Siga los pasos 1) a 4) descritos anteriormente en [a].
- 2) Para las conexiones del condensador utilice los tubos accesorios que se suministran y realice las mismas conexiones de la 1) a la 3) del apartado [a] anterior en el extremo libre de las boquillas 1/2-3/4 como se muestra.



## II. INSTRUCCIONES DE UTILIZACIÓN

### ⚠ ATENCIÓN

No coloque las manos en la parte trasera de la cuba de almacenamiento ni en el canal de descarga del hielo situado en la parte superior de esta. Puede caerse hielo de la máquina de hielo o un bloque de hielo se puede romper de repente, o incluso el mecanismo de la máquina de hielo podría moverse, causándole una lesión.

Cuba de almacenamiento

Vertedera del hielo

### AVISO

Todos los componentes están ajustados de fábrica. Un ajuste incorrecto puede provocar averías.

Si desconecta la unidad, espere al menos 3 minutos antes de ponerla de nuevo en marcha para evitar que el compresor se averíe.

### ⚠ HIGIENE

Esta máquina de hielo ha sido diseñada para producir hielo comestible. Para mantener la higiene de la máquina:

- \* Lávese las manos antes de extraer hielo. Utilice la pala de plástico que se suministra (accesorio).
- \* La cuba de almacenamiento solo puede utilizarse para el hielo. No almacene en la cuba ninguna otra cosa ni utilice otros aparatos eléctricos en ella.
- \* Limpie la cuba de almacenamiento antes de utilizarla (véase "III. 1. LIMPIEZA").
- \* Mantenga la pala limpia. Límpiela con un detergente neutro y aclárela bien.
- \* Cierre la puerta después de extraer hielo para evitar que entren suciedad, polvo o insectos en la cuba de almacenamiento.

## 1. PUESTA EN MARCHA

El instalador normalmente prepara la máquina de hielo para que arranque con el proceso automático de producción. Para garantizar el funcionamiento en régimen continuo, asegúrese de que:

- \* La llave de paso de agua está abierta y que
- \* La máquina de hielo está enchufada en la red de alimentación eléctrica.

## 2. PREPARACIÓN DE LA MÁQUINA DE HIELO PARA UN ALMACENAMIENTO PROLONGADO

### AVISO

Esta máquina de hielo no funciona a temperaturas inferiores al punto de congelación del agua. Para prevenir averías en la tubería de suministro de agua, drene la máquina de hielo cuando la temperatura del aire sea inferior a cero.

### ⚠ HIGIENE

Si va a tener la máquina de hielo apagada durante dos o más días, drénela para evitar la contaminación del circuito de agua.

- 1) Desenchufe la máquina de fabricación de hielo o desconecte la alimentación eléctrica.
- 2) Cierre la llave de paso del agua y desmonte la manguera de entrada.
- 3) Extraiga todo el hielo de la cuba de almacenamiento y límpiela.
- 4) Solicite a personal cualificado que realice el drenaje de la máquina de hielo.

## III. MANTENIMIENTO

### 1. LIMPIEZA

#### ⚠ ADVERTENCIA

Antes de realizar cualquier operación de limpieza o mantenimiento, desenchufe la máquina de hielo de la red eléctrica.

Esta máquina no debe limpiarse con un chorro de agua.

#### ⚠ ATENCIÓN

Si va a utilizar un detergente neutro o hipoclorito sódico, lea bien y asegúrese de entender las instrucciones proporcionadas para evitar posibles problemas de salud.

#### AVISO

Solicite a personal capacitado de mantenimiento la limpieza y esterilización del sistema de agua de la máquina de hielo al menos dos veces al año y la revisión y limpieza del condensador al menos una vez al año.

Para prevenir posibles averías, no limpie las piezas de plástico con agua a más de 40 °C ni en un lavavajillas.

#### [a] Exterior de la máquina y de la cuba

Limpie el exterior al menos una vez por semana con un trapo limpio y suave. Utilice un trapo humedecido con un detergente neutro para eliminar la grasa o la suciedad.

#### [b] Limpieza/esterilización de la pala y el asa de la cuba de almacenamiento (cada día)

- 1) Mezcle 1 litro de agua con 4 mL de una solución de hipoclorito sódico al 5,25% en un recipiente adecuado, o bien utilice el esterilizador de agua recomendado por Hoshizaki siguiendo las instrucciones.
- 2) Sumerja la pala en la solución durante más de 3 minutos. Aclárela con abundante agua y sacúdala para eliminar el exceso de líquido.

Nota: el uso de un trapo para secarla podría contaminarla.

- 3) Utilice un detergente neutro para lavar el asa de la cuba de almacenamiento. Aclárela con abundante agua.
- 4) Empape un trapo limpio con la solución esterilizante y limpie el tirador. Utilice agua potable y un trapo limpio para aclarar/ secar.

#### [c] Limpieza/esterilización del interior de la cuba de almacenamiento (cada semana)

- 1) Abra la puerta de la cuba de almacenamiento y extraiga todo el hielo.
- 2) Lave el revestimiento de la cuba con un detergente neutro no abrasivo. Aclárela con abundante agua.

- 3) Empape un trapo limpio con detergente neutro y limpie ambos lados de la pendiente y la superficie interior de la puerta. Elimine el exceso de detergente con un trapo limpio húmedo.
- 4) Mezcle 5 litros de agua con 18 mL de una solución de hipoclorito sódico al 5,25% en un recipiente adecuado, o bien utilice el esterilizador de agua recomendado por Hoshizaki siguiendo las instrucciones.
- 5) Empape una esponja o un trapo limpio con la solución y limpie el revestimiento, la puerta y la pendiente de la cuba.
- 6) La solución restante puede utilizarse para esterilizar los utensilios.

Nota: No seque con un trapo ni aclare con agua después de la esterilización; deje que se seque al aire.

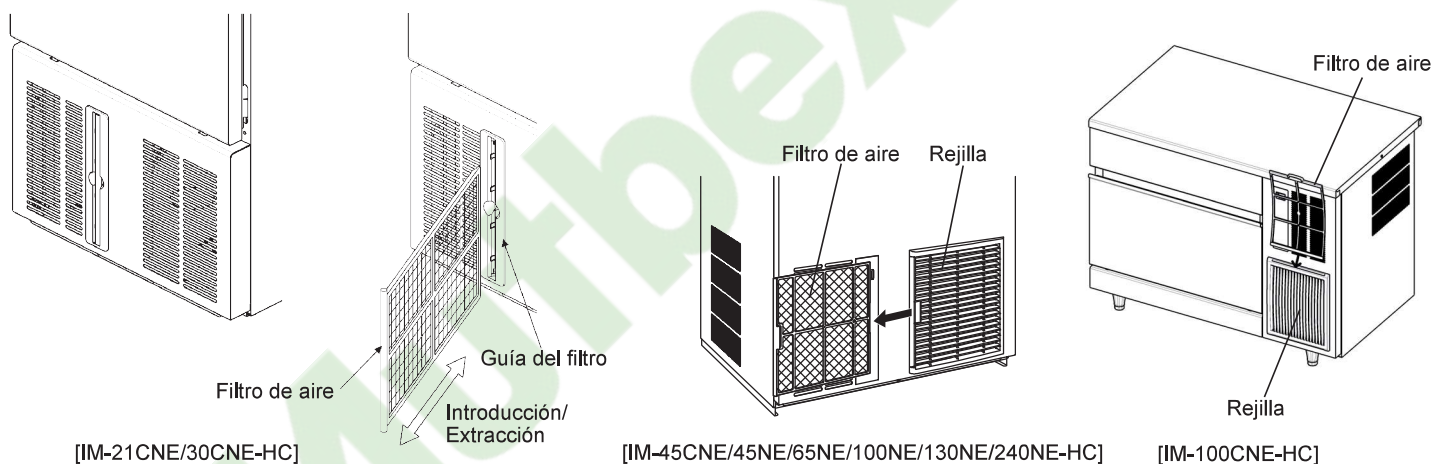
## [d] Filtro de aire (solo los modelos refrigerados por aire)

Los filtros de aire con malla de plástico eliminan la suciedad o el polvo del aire y evitan que el condensador se obstruya. Si el filtro se obstruye, el rendimiento de la máquina de hielo se reduce. Desmonte y limpie los filtros de aire al menos dos veces al mes:

- 1) Deslice el filtro de aire para desmontarlo de la guía del filtro [IM-21CNE/30CNE-HC] o de la rejilla [IM-45CNE/45NE/65NE/100CNE/100NE/130NE/240NE-HC].
- 2) Limpie el filtro de aire con un aspirador. Cuando el filtro de aire esté muy obstruido, utilice agua tibia y un detergente neutro para lavarlo.
- 3) Aclare y seque el filtro de aire cuidadosamente.

### AVISO

Tras la limpieza, asegúrese de volver a colocar el filtro de aire en su lugar.



## 2. ANTES DE LLAMAR AL SERVICIO TÉCNICO

### ⚠ ADVERTENCIA

No dañe el circuito del refrigerante.

### [a] Indicación del código de error

### ⚠ ADVERTENCIA

Si en la pantalla se muestra el código de error "E", podrían producirse escapes de gas. No toque la unidad. Ventile el área y, de forma inmediata, llame al servicio de reparaciones.

Código	Posible causa
E1	Error de congelación.
E2	Error de descongelación.
EE	Otro error.
EF	El sensor de gas (si existe) detecta los escapes de gas.

## [b] Sin indicación de código de error

Si la máquina de hielo no funciona correctamente o no funciona en absoluto y en la pantalla no aparece el código de error, antes de llamar al servicio de reparaciones compruebe que:

- \* La unidad está conectada a la red eléctrica.
- \* El agua está conectada.
- \* El filtro de aire está limpio (modelo refrigerado por aire).
- \* El circuito del agua de refrigeración tiene un flujo adecuado (modelo refrigerado por agua).

Para asistencia o asesoramiento adicionales, póngase en contacto con el agente de reparaciones local de Hoshizaki.

## [c] Sin indicación de código de error

Si aparece el código de alarma A1 o A2, puede que el sensor de gas esté defectuoso. Póngase en contacto con el servicio técnico de Hoshizaki de su zona.

## 3. ELIMINACIÓN

Siga las normativas locales aplicables a la eliminación de este equipo y el gas refrigerante que contiene. Antes de desechar el equipo, quite la puerta para evitar que niños queden atrapados dentro jugando.

Eliminación correcta de este producto:

Estas marcas indican que está prohibido eliminar este producto junto con otros desechos de uso doméstico en todo el territorio de la UE. Para evitar el posible daño al medioambiente o a la salud pública, provocado por la eliminación no controlada de desechos, recíclelos de forma responsable para fomentar la reutilización sostenible de los recursos materiales. Para devolver el dispositivo usado, utilice los sistemas de devolución y recogida o póngase en contacto con el punto de venta en el que adquirió el producto. El personal se encargará de que el producto se recicle respetando el medioambiente.



## 4. GARANTÍA

Hoshizaki garantiza al usuario/propietario que ninguno de los productos de su marca presentarán defectos de material o mano de obra durante la duración del "periodo de garantía". La garantía será efectiva durante dos años a partir de la fecha de instalación.

La responsabilidad de Hoshizaki según los términos de esta garantía es limitada y excluirá el servicio de rutina, la limpieza, el mantenimiento esencial y/o las reparaciones ocasionadas por uso incorrecto y por instalaciones que no se ajusten a las instrucciones de Hoshizaki.

Las reparaciones cubiertas por la garantía deberán ser realizadas por un distribuidor o centro de servicio homologado de Hoshizaki empleando componentes originales de Hoshizaki.

Para más detalles sobre la garantía y los centros de servicio homologados, póngase en contacto con su distribuidor/proveedor, o con la oficina de Servicio Técnico de Hoshizaki más próxima.

### Europa, Medio Oriente, África

Hoshizaki UK - R.U., Irlanda  
TEL: +44 845 456 0585  
FAX: +44 132 283 8331  
uksales@hoshizaki.co.uk

Hoshizaki Middle East - Medio Oriente  
TEL: +971 48 876 612  
FAX: +971 48 876 613  
sales@hoshizaki.ae

Hoshizaki Deutschland - Alemania, Suiza, Austria  
TEL: +49 2154 92810  
FAX: +49 2154 928128  
info@hoshizaki.de

Hoshizaki Benelux - Países Bajos, Bélgica, Luxemburgo  
TEL: +31 85 018 83 70  
info@hoshizaki.nl

Hoshizaki France - Francia  
 TEL: +33 1 48 63 93 80  
 FAX: +33 1 48 63 93 88  
 info@hoshizaki.fr

Hoshizaki Europe B.V. - todos los demás países europeos y  
 África  
 TEL: +31 20 6918499  
 FAX: +31 20 6918768  
 sales@hoshizaki.nl

Hoshizaki Iberia - España, Portugal  
 TEL: +34 93 478 09 52  
 FAX: +34 93 478 08 00  
 info@hoshizaki.es

## Asia, Oceanía

Hoshizaki Singapore  
 TEL: +65 6225 2612  
 FAX: +65 6225 3219

Hoshizaki Hong Kong  
 TEL: +852 2866-2108  
 FAX: +852 2866-2109

Hoshizaki Taiwan  
 TEL: +886 2 2706 8818  
 FAX: +886 2 2708 7999

Hoshizaki Lancer  
 TEL: +61 8 8268 1388  
 FAX: +61 8 8268 1978

## ESPECIFICACIONES

Modelo	IM-21CNE-HC	IM-30CNE-HC	IM-45CNE-HC
Tipo	Refrigerado por aire, cubitos de hielo	Refrigerado por aire, cubitos de hielo	Refrigerado por aire, cubitos de hielo
Alimentación	1 fase 220-240 V 50Hz	1 fase 220-240 V 50Hz	1 fase 220-240 V 50Hz
Consumo eléctrico	225 W	230 W	275 W
Producción de hielo en 24 h	23 kg (5 mm) / 25 kg (15 mm) (ambiente 10 °C, agua 10 °C)	25 kg (5 mm) / 30 kg (15 mm) (ambiente 10 °C, agua 10 °C)	40 kg (5 mm) / 46 kg (15 mm) (ambiente 10 °C, agua 10 °C)
Dimensiones	398 mm (A) x 451 mm (F) x 695 mm (Alt.)	398 mm (A) x 451 mm (F) x 695 mm (Alt.)	633 mm (A) x 511 mm (F) x 690 mm (Alt.)
Refrigerante	R290, 55 g	R290, 65 g	R290, 70 g
Agente espumante para aislamiento	sin HFC	sin HFC	sin HFC
Peso	Neto: 34 kg (Total: 39 kg)	Neto: 34 kg (Total: 39 kg)	Neto: 45 kg (Total: 55 kg)
Termistor de	1 - 40 °C	1 - 40 °C	1 - 40 °C
Temperatura del agua	5 - 35 °C	5 - 35 °C	5 - 35 °C
Presión del agua	De 0,07 a 0,8 MPa (de 0,7 a 8 bar)	De 0,07 a 0,8 MPa (de 0,7 a 8 bar)	De 0,07 a 0,8 MPa (de 0,7 a 8 bar)
Intervalo de voltaje	Voltaje nominal ± 6%	Voltaje nominal ± 6%	Voltaje nominal ± 6%

Modelo	IM-45NE-HC	IM-65NE-HC	IM-100CNE-HC
Tipo	Refrigerado por aire, cubitos de hielo	Refrigerado por aire, cubitos de hielo	Refrigerado por aire, cubitos de hielo
Alimentación	1 fase 220-240 V 50Hz	1 fase 220-240 V 50Hz	1 fase 220-240 V 50Hz
Consumo eléctrico	275 W	320 W	500W
Producción de hielo en 24 h	40 kg (5 mm) / 46 kg (15 mm) (ambiente 10 °C, agua 10 °C)	52 kg (5 mm) / 62 kg (15 mm) (ambiente 10 °C, agua 10 °C)	92 kg (5 mm) / 105 kg (15 mm) (ambiente 10 °C, agua 10 °C)
Dimensiones	503 mm (A) x 456 mm (F) x 840 mm (Alt.)	633 mm (A) x 506 mm (F) x 840 mm (Alt.)	1004 mm (A) x 600 mm (F) x 800 mm (Alt.)
Refrigerante	R290, 70 g	R290, 110 g	R290, 125 g
Agente espumante para aislamiento	sin HFC	sin HFC	sin HFC
Peso	Neto: 44 kg (Total: 50 kg)	Neto: 50 kg (Total: 60 kg)	Neto: 77 kg (Total: 88 kg)
Termistor de	1 - 40 °C	1 - 40 °C	1 - 40 °C
Temperatura del agua	5 - 35 °C	5 - 35 °C	5 - 35 °C
Presión del agua	De 0,07 a 0,8 MPa (de 0,7 a 8 bar)	De 0,07 a 0,8 MPa (de 0,7 a 8 bar)	De 0,07 a 0,8 MPa (de 0,7 a 8 bar)
Intervalo de voltaje	Voltaje nominal ± 6%	Voltaje nominal ± 6%	Voltaje nominal ± 6%



# ESPAÑOL

Modelo	IM-100NE-HC	IM-130NE-HC	IM-240NE-HC
Tipo	Refrigerado por aire, cubitos de hielo	Refrigerado por aire, cubitos de hielo	Refrigerado por aire, cubitos de hielo
Alimentación	1 fase 220-240 V 50Hz	1 fase 220-240 V 50Hz	1 fase 220-240 V 50Hz
Consumo eléctrico	555 W	615 W	930 W
Producción de hielo en 24 h	92 kg (5 mm) / 105 kg (15 mm) (ambiente 10 °C, agua 10 °C)	110 kg (5 mm) / 120 kg (15 mm) (ambiente 10 °C, agua 10 °C)	195 kg (5 mm) / 210 kg (15 mm) (ambiente 10 °C, agua 10 °C)
Dimensiones	704 mm (A) x 506 mm (F) x 1200 mm (Alt.)	704 mm (A) x 506 mm (F) x 1200 mm (Alt.)	704 mm (A) x 665 mm (F) x 1510 mm (Alt.)
Refrigerante	R290, 120 g	R290, 120 g	R290, 147 g
Agente espumante para aislamiento	sin HFC	sin HFC	sin HFC
Peso	Neto: 76 kg (Total: 84 kg)	Neto: 76 kg (Total: 84 kg)	Neto: 111 kg (Total: 122 kg)
Termistor de	1 - 40 °C	1 - 40 °C	1 - 40 °C
Temperatura del agua	5 - 35 °C	5 - 35 °C	5 - 35 °C
Presión del agua	De 0,07 a 0,8 MPa (de 0,7 a 8 bar)	De 0,07 a 0,8 MPa (de 0,7 a 8 bar)	De 0,07 a 0,8 MPa (de 0,7 a 8 bar)
Intervalo de voltaje	Voltaje nominal $\pm$ 6%	Voltaje nominal $\pm$ 6%	Voltaje nominal $\pm$ 6%

Modelo	IM-100WNE-HC	IM-130WNE-HC	IM-240WNE-HC
Tipo	Refrigerado por agua, cubitos de hielo	Refrigerado por agua, cubitos de hielo	Refrigerado por agua, cubitos de hielo
Alimentación	1 fase 220-240 V 50Hz	1 fase 220-240 V 50Hz	1 fase 220-240 V 50Hz
Consumo eléctrico	465 W	550 W	810 W
Producción de hielo en 24 h	80 kg (5 mm) / 90 kg (15 mm) (ambiente 10 °C, agua 10 °C)	100 kg (5 mm) / 110 kg (15 mm) (ambiente 10 °C, agua 10 °C)	190 kg (5 mm) / 205 kg (15 mm) (ambiente 10 °C, agua 10 °C)
Dimensiones	704 mm (A) x 506 mm (F) x 1200 mm (Alt.)	704 mm (A) x 506 mm (F) x 1200 mm (Alt.)	704 mm (A) x 665 mm (F) x 1510 mm (Alt.)
Refrigerante	R290, 147 g	R290, 147 g	R290, 147 g
Agente espumante para aislamiento	sin HFC	sin HFC	sin HFC
Peso	Neto: 74 kg (Total: 82 kg)	Neto: 74 kg (Total: 82 kg)	Neto: 120 kg (Total: 131 kg)
Termistor de	1 - 40 °C	1 - 40 °C	1 - 40 °C
Temperatura del agua	5 - 35 °C	5 - 35 °C	5 - 35 °C
Presión del agua	De 0,07 a 0,8 MPa (de 0,7 a 8 bar)	De 0,07 a 0,8 MPa (de 0,7 a 8 bar)	De 0,07 a 0,8 MPa (de 0,7 a 8 bar)
Intervalo de voltaje	Voltaje nominal $\pm$ 6%	Voltaje nominal $\pm$ 6%	Voltaje nominal $\pm$ 6%

Nota: las especificaciones anteriores se refieren a los modelos representativos.

## INFORMAZIONI IMPORTANTI SULLA SICUREZZA

All'interno del manuale compaiono degli avvertimenti che intendono attirare l'attenzione dell'operatore su situazioni che potrebbero causarne la morte, lesioni gravi o danneggiare l'apparecchio.

<b>▲AVVERTENZA</b>	Indica una situazione pericolosa che, se non evitata, potrebbe causare la morte o lesioni gravi.
<b>▲ATTENZIONE</b>	Indica una situazione pericolosa che, se non evitata, potrebbe causare lesioni di lieve o media entità.
<b>AVVISO</b>	Indica una situazione pericolosa che, se non evitata, potrebbe causare danni all'unità.
<b>▲IGIENE</b>	Indica importanti precauzioni per l'igiene e la sicurezza alimentare.
<b>IMPORTANTE</b>	Indica informazioni importanti in merito all'uso e alla manutenzione dell'unità.

La macchina utilizza un refrigerante senza HFC (propano) che non danneggia l'ozono e materiali ecosostenibili che hanno un potenziale di riscaldamento globale molto basso.

<b>▲AVVERTENZA</b>
L'unità di raffreddamento della macchina contiene un refrigerante infiammabile; pertanto l'installazione, la movimentazione, la manutenzione e lo smaltimento possono essere eseguite esclusivamente da tecnici autorizzati.
Il refrigerante contenuto in questa macchina è infiammabile e sigillato nell'impianto di refrigerazione. Anche se non si verificano perdite di refrigerante con il normale utilizzo, prestare particolare attenzione quando si utilizza la macchina per non provocare danni all'impianto.
In caso di danno accidentale all'impianto di refrigerazione con conseguente perdita di refrigerante: <ul style="list-style-type: none"> <li>* Evitare la creazione di fonti di innesco nell'area.</li> <li>* Non azionare interruttori o utilizzare spine elettriche nell'area.</li> <li>* Evitare l'uso di fiamme libere.</li> <li>* Aprire immediatamente porte e/o finestre per ventilare l'area.</li> <li>* Contattare un tecnico dell'assistenza.</li> </ul>
<b>IMPORTANTE</b>
Il presente manuale è parte integrante e fondamentale del prodotto e deve essere conservato con cura dall'utente.
Si raccomanda di leggere con attenzione le indicazioni e le avvertenze ivi contenute, volte a fornire all'installatore/utente le informazioni fondamentali per la corretta installazione, l'utilizzo prolungato e la manutenzione del prodotto in condizioni di sicurezza.
Si raccomanda di conservare il presente manuale per eventuali necessità di consultazione future.

## ▲AVVERTENZA

Questa è una macchina industriale e deve essere utilizzata esclusivamente per gli impieghi per la quale è stata espressamente progettata.

Qualunque altro impiego è da considerarsi improprio e pertanto pericoloso. La casa costruttrice declina ogni responsabilità per eventuali danni provocati da uso improprio, non corretto o sconsiderato.

**L'installazione e, se necessario, lo spostamento, devono essere eseguiti da personale specializzato**, in conformità alle norme vigenti e alle istruzioni della casa costruttrice.

Mantenere prive di ostruzioni le aperture di ventilazione della custodia della macchina o della struttura incorporata.

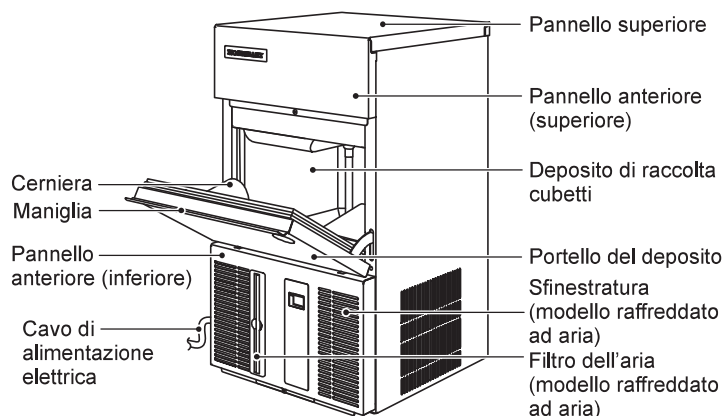
Non utilizzare dispositivi meccanici o altri strumenti per accelerare il processo di scongelamento, ad eccezione di quelli consigliati dal produttore.

L'utilizzo di qualsiasi apparecchio elettrico implica l'osservanza di alcune norme fondamentali. In particolare:

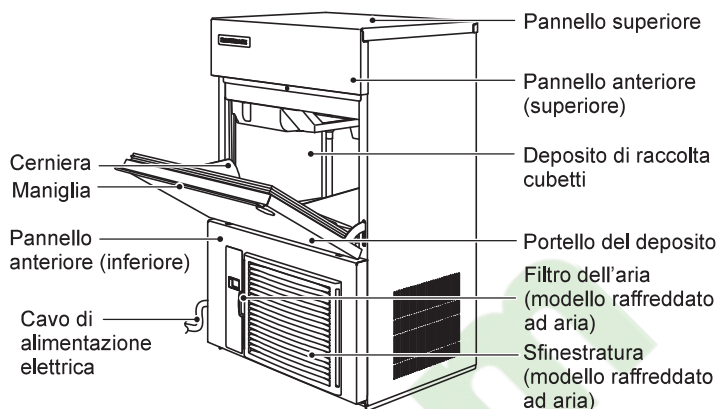
- \* Ubicando la macchina in ambienti ad alta umidità, si aumenta il rischio di cortocircuiti e di scosse elettriche. In caso di dubbi, disinserire la macchina.
- \* Non danneggiare il cavo dell'alimentazione elettrica né tirarlo per scollegare la spina della macchina dalla rete di alimentazione.
- \* Se il cavo di alimentazione è danneggiato, sostituirlo con un cavo di ricambio reperibile presso il centro assistenza/ricambi Hoshizaki.
- \* Non toccare parti elettriche né gli interruttori con le mani bagnate.
- \* La macchina non deve essere utilizzata da persone (inclusi i bambini) con capacità fisiche, sensoriali o mentali ridotte o con mancanza di competenze e conoscenze adeguate. È tuttavia consentito l'uso da parte di bambini con età minima di 8 anni, nonché di persone con capacità fisiche, sensoriali o mentali ridotte o con mancanza di competenze e conoscenze, purché sotto la supervisione o in linea con le istruzioni sull'uso dell'apparecchio fornite da un responsabile della sicurezza dei soggetti sopra indicati.
- \* I bambini non devono giocare con la macchina.
- \* La pulizia e la manutenzione da parte dell'utente non devono essere effettuate da bambini senza che venga loro fornita la supervisione.
- \* Non apportare modifiche alla macchina. Il disassemblaggio e la riparazione della macchina devono essere effettuati esclusivamente da personale qualificato.

## I. ISTRUZIONI PER L'INSTALLAZIONE

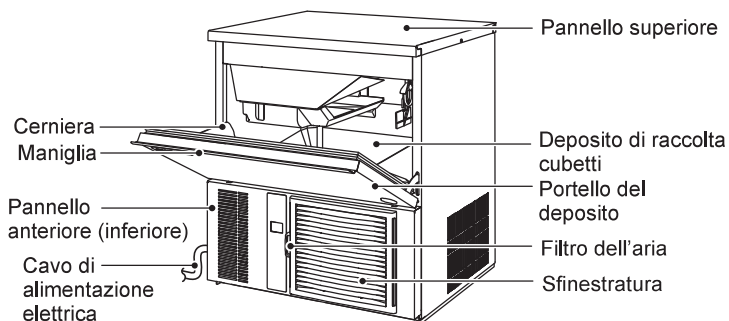
### 1. COMPONENTI



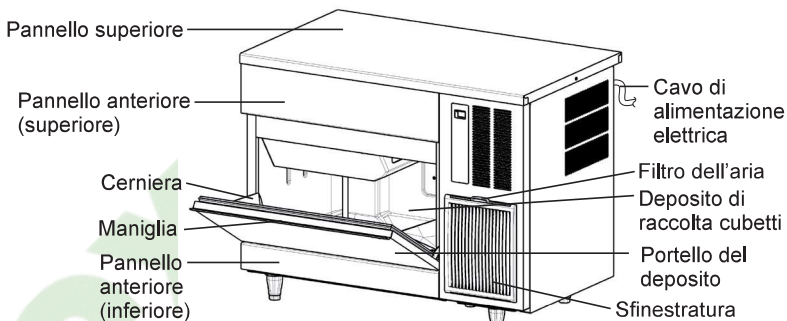
[IM-21CNE-HC, 30CNE-HC]



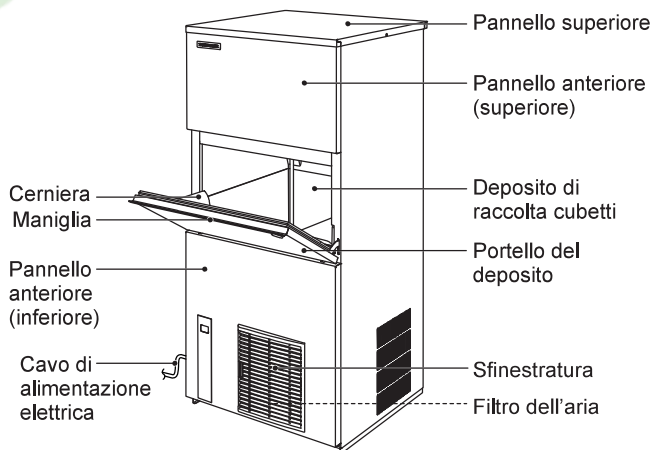
[IM-45NE-HC, 65NE-HC, 100NE/WNE-HC, 130NE/WNE-HC]



[IM-45CNE-HC]



[IM-100CNE-HC]



[IM-240NE/WNE-HC]

### 2. ACCESSORI

	IM-21CNE-HC	IM-30CNE-HC IM-45CNE-HC IM-45NE-HC IM-65NE-HC IM-100NE-HC IM-130NE-HC IM-240NE-HC	IM-100CNE-HC	IM-100WNE-HC IM-130WNE-HC IM-240WNE-HC
CD	1	1	1	1
Cucchiaino di presa	1	1	1	1
Tubo flessibile di entrata	1	1	1	2
Tubo flessibile d'uscita	1	1	1	2
Attacco 1/2-3/4	-	-	-	2
Piedino	-	4	5	4
Copiconnettore	1	1	1	1
Attacco 3/4-3/4	-	-	1	-



CD



Cucchiaino di presa



Tubo flessibile di entrata



Tubo flessibile d'uscita



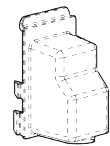
Attacco  
3/4-3/4



Attacco  
1/2-3/4



Piedino



Copriconnettore

## 3. DISIMBALLAGGIO

### ⚠ AVVERTENZA

Tenere gli elementi d'imballaggio (sacchetti in plastica e polistirolo espanso) lontano dalla portata dei bambini, perché potenzialmente pericolosi.

### ⚠ ATTENZIONE

Non sollevare o maneggiare il cartone mediante il nastro d'imballaggio.

Quando si sposta l'unità manualmente, afferrarla dal basso.

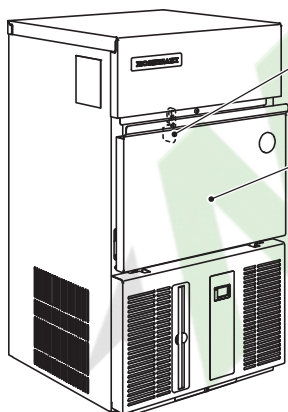
Indossare sempre guanti protettivi per trasportare l'unità.

Per evitare il rischio di lesioni, lavorare sempre in coppia quando si movimenta la scatola o l'unità disimballata.

### AVVISO

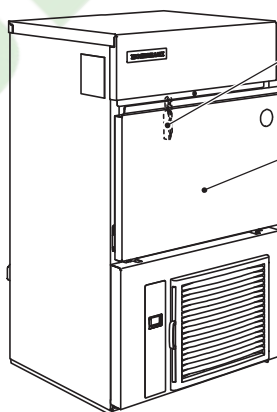
Rimuovere il cartone d'imballaggio, il nastro/i e l'imballaggio. La macchina non funziona in modo corretto se non si rimuove tutto il materiale d'imballaggio.

- 1) Dopo aver rimosso l'imballaggio, verificare che la macchina sia in buone condizioni. Qualora sorgano dubbi in merito, non utilizzare la macchina ma rivolgersi a personale qualificato.
- 2) Togliere il nastro d'imballaggio che avvolge il portello e il pannello anteriore.
- 3) Rimuovere dalla parte esterna la pellicola protettiva in plastica. In caso di esposizione al sole o a fonti di calore, rimuovere la pellicola dopo aver lasciato raffreddare la macchina.
- 4) Rimuovere l'imballaggio contenente gli accessori. Verificarne il contenuto secondo quanto riportato al punto "2. ACCESSORI".
- 5) Togliere il nastro d'imballaggio che avvolge l'interruttore comando deposito di raccolta cubetti aprendo il portello del deposito per raggiungerlo.



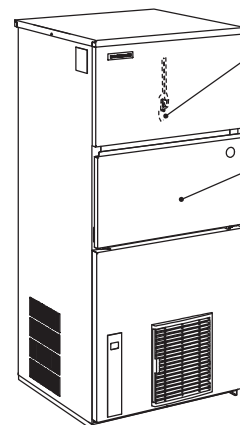
Interruttore comando deposito di raccolta cubetti  
Portello del deposito

[IM-21CNE-HC, 30CNE-HC]



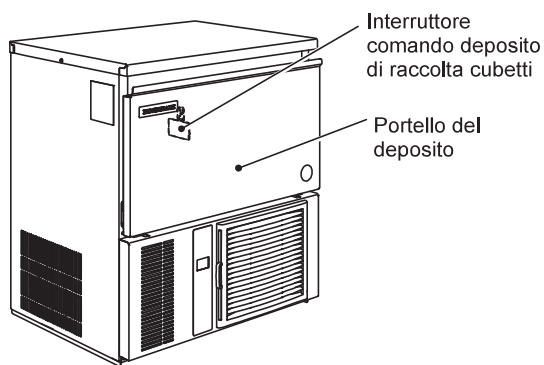
Interruttore comando deposito di raccolta cubetti  
Portello del deposito

[IM-45NE-HC, 65NE-HC, 100NE/WNE-HC, 130NE/WNE-HC]

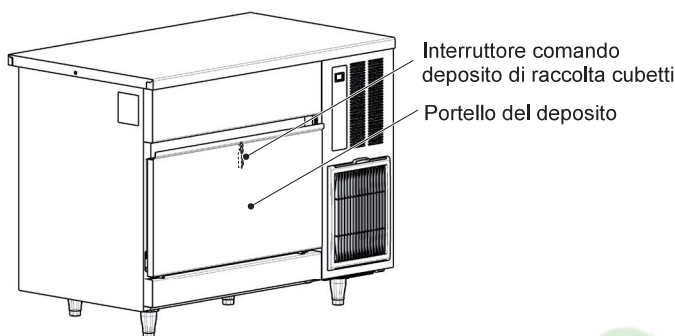


Interruttore comando deposito di raccolta cubetti  
Portello del deposito

[IM-240NE/WNE-HC]



[IM-45CNE-HC]



[IM-100CNE-HC]

## 4. UBICAZIONE

### ⚠️ AVVERTENZA

La macchina non è adatta per essere utilizzata all'aria aperta.

La macchina non deve essere ubicata in prossimità di forni, grill o altri apparecchi che producono calore.

La macchina non è adatta per l'installazione in un'area in cui è possibile utilizzare un getto d'acqua.

### ⚠️ ATTENZIONE

Il pavimento su cui poggia deve garantire alla macchina una base solida e piana.

### ⚠️ AVVISO

Non posizionare alcun oggetto sulla sommità della macchina e davanti alla sfinestratura.

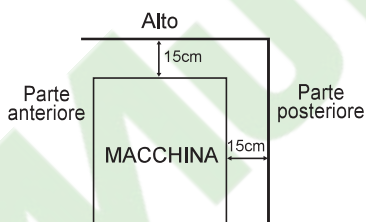
### ❗ IMPORTANTE

La normale temperatura ambiente d'esercizio deve essere compresa tra 1°C e 40°C. Il collegamento all'approvvigionamento dell'acqua è solo per acqua fredda. Il prolungato funzionamento della macchina con valori che non rientrano nelle gamme previste può comprometterne la capacità di produzione.

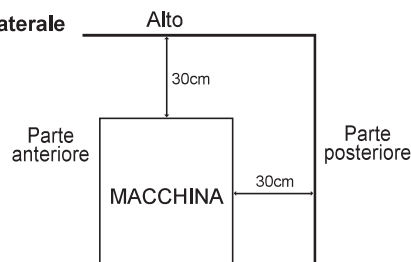
Lasciare uno spazio equivalente a quello sotto specificato in modo da favorire la circolazione dell'aria e le eventuali operazioni di manutenzione o servizio.

[IM-21CNE-HC, 30CNE-HC, 45CNE-HC, 240WNE-HC] [IM-240NE-HC] \* Nessun spazio richiesto sul Lati

Vista laterale \* Nessun spazio richiesto sul Lati

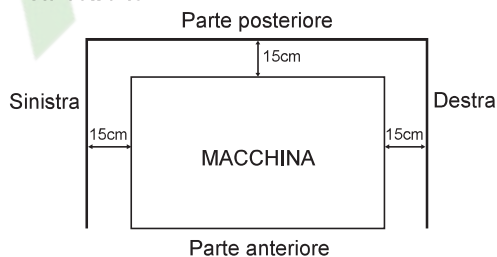


Vista laterale

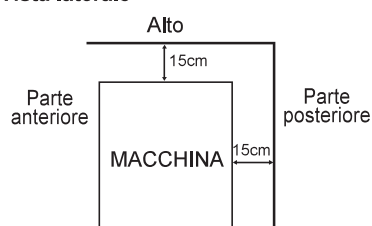


[IM-45NE-HC, 65NE-HC, 100CNE-HC, 100NE/WNE-HC, 130NE/WNE-HC]

Vista dall'alto



Vista laterale



In alcuni ambienti ad alta umidità, all'interno della macchina potrebbe formarsi della condensa che si riversa poi sul pavimento. Non installare la macchina su un pavimento che potrebbe danneggiarsi a causa dell'acqua.

Evitare l'esposizione prolungata della macchina alla luce diretta del sole.

## 5. INSTALLAZIONE

### ⚠ATTENZIONE

L'installazione non corretta può provocare lesioni alle persone, agli animali e danni materiali, per i quali la casa costruttrice declina ogni responsabilità.

\* Collocare la macchina nel luogo designato per l'installazione permanente.

[Eccetto IM-21CNE-HC]

\* Durante il montaggio dei piedini regolabili (accessori), regolare l'unità nelle direzioni sinistra-destra e anteriore-posteriore.

## 6. COLLEGAMENTI ELETTRICI

### ⚠AVVERTENZA

#### LA MACCHINA DEVE ESSERE COLLEGATA A MASSA

La macchina deve essere collegata a massa in modo da soddisfare le norme elettriche a livello locale e nazionale.

Per prevenire gravi lesioni da scosse elettriche alle persone e seri danni alla macchina, collegare alla medesima un idoneo cavo di massa.

Scolligare l'alimentazione principale prima di eseguire qualsiasi intervento di manutenzione, riparazione o pulizia.

\* Questa macchina richiede un'alimentazione separata a 220 - 240VCA, da 10A [IM-21CNE-HC, 30CNE-HC, 45CNE/NE-HC, 65NE-HC, 100CNE/NE/WNE-HC, 130NE/WNE-HC] / 13A [IM-240NE/WNE-HC]. L'alimentazione elettrica deve essere protetta da un interruttore automatico adeguato.

\* Il fusibile della scatola di comando principale è da 5 A e deve essere sostituito esclusivamente da un tecnico di servizio specializzato.

\* Per eseguire interventi elettrici sono solitamente necessari un permesso specifico nonché l'assistenza di un elettricista qualificato.

### Solo per il Regno Unito e la Repubblica d'Irlanda

\* I fili del cavo di alimentazione sono colorati in base al seguente codice:

verde e giallo = massa

blu = neutro

marrone = sotto tensione

Dato che i colori dei fili del cavo di alimentazione della macchina possono non corrispondere ai contrassegni colorati che identificano i terminali della spina dell'utente, procedere come segue.

Il filo verde e giallo deve essere collegato al terminale della spina contrassegnato dalla lettera E o dal simbolo  $\perp$  o di colore verde o verde e giallo. Il filo blu deve essere collegato al terminale della spina contrassegnato dalla lettera N o di colore nero. Il filo marrone deve essere collegato al terminale contrassegnato dalla lettera L o di colore rosso.

\* Se le prese a muro, nel luogo dell'installazione, non sono adatte alla spina appartenente alla dotazione del prodotto, togliere la spina (tagliandola se è del tipo pressofuso) e sostituirla con una spina adatta.

Se dal cavo di alimentazione elettrica è stata tagliata una spina di tipo non riciclabile, smaltirla. Non cercare di riutilizzarla. Inserire una spina del genere in una qualsiasi altra presa comporta un forte rischio di scosse elettriche.

\* La spina non riciclabile non va mai utilizzata senza aver montato un coprifusibile.

Per individuare il corretto ricambio del coprifusibile smontabile, leggere il numero di riferimento della casa costruttrice impresso sulla spina.

I coprifusibili possono essere reperiti presso il centro assistenza/ricambi Hoshizaki.

I fusibili devono essere di 13 A e con approvazione BS 1362.

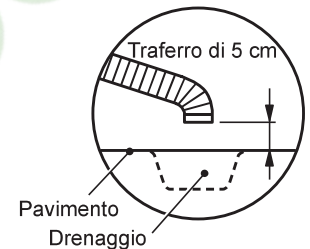
## 7. COLLEGAMENTO DI ALIMENTAZIONE DELL'ACQUA E COLLEGAMENTO DI SCARICO

### ⚠ AVVERTENZA

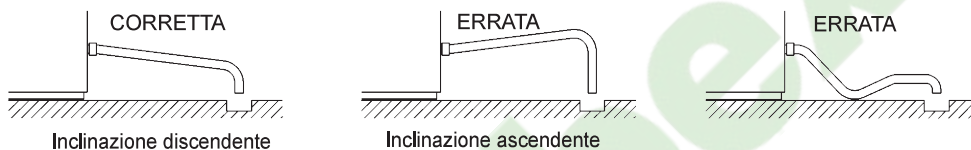
Collegare solo all'approvvigionamento dell'acqua potabile fredda.

- \* I collegamenti all'approvvigionamento idrico di rete devono essere eseguiti in conformità ai requisiti vigenti delle norme relative all'approvvigionamento dell'acqua e ai raccordi dell'acqua.
- \* L'acqua utilizzata per la fabbricazione del ghiaccio deve essere potabile. Laddove la qualità dell'acqua può causare disincrostazione,
  - è consigliabile l'installazione di un filtro esterno o di un addolcitore. Contattare l'esperto in trattamenti idrici locale o un agente dell'assistenza Hoshizaki.
  - È consigliabile impostare la modalità con scarico completo. Contattare il locale centro di assistenza Hoshizaki.
- \* La pressione dell'approvvigionamento dell'acqua deve essere di minimo 0,07 MPa (0,7 bar) e massimo 0,8 MPa (8 bar). Se la pressione è superiore a 0,8 MPa (8 bar), utilizzare una valvola limitatrice di pressione appropriata. **NON** strozzare il rubinetto dell'acqua.
- \* In alcune località, per eseguire lavori idraulici sono necessari un permesso specifico nonché l'assistenza di un idraulico qualificato.
- \* La macchina è caratterizzata da un flusso di drenaggio a gravità: assicurarsi che il tubo di scarico abbia una pendenza adatta.

\* I circuiti di scarico non devono essere installati direttamente nella rete fognaria. È necessario lasciare un traferro verticale di minimo 5 cm tra l'estremità dei tubi di scarico dalla macchina e lo scarico a pavimento.



\* Per ovviare al riflusso nel deposito di raccolta cubetti, disporre un tubo di uscita come mostrato nella figura.



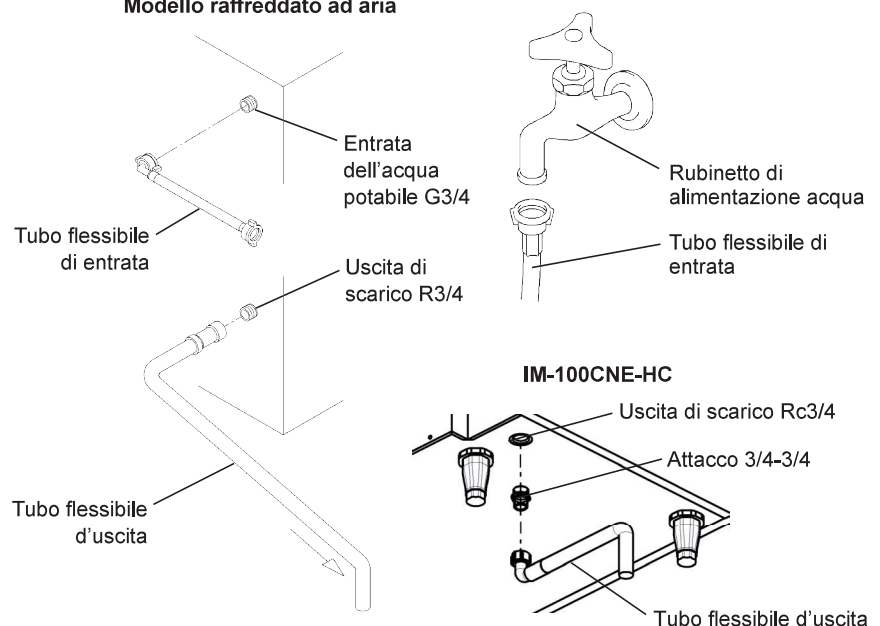
\* Nei modelli con raffreddamento ad acqua può essere necessario applicare nell'impianto di raffreddamento un dispositivo contro il riflusso.

\* Assicurarsi di utilizzare i nuovi set di tubi forniti con l'apparecchio. Non riutilizzare i set di tubi vecchi.

### [Modello raffreddato ad aria]

- 1) Collegare l'estremità a gomito del tubo di entrata (flessibile, accessorio) al raccordo G3/4, situato sul lato posteriore della macchina, come indicato, facendo attenzione che la rondella di tenuta in gomma sia posizionata in modo corretto. Serrare a mano quanto basta a evitare perdite.
- 2) Collegare al rubinetto dell'acqua l'altra estremità del tubo flessibile di entrata, facendo attenzione che la rondella sia posizionata correttamente prima di serrare a mano come descritto in precedenza. È consigliabile per precauzione inserire una valvola di arresto in posizione facilmente accessibile.
- 3) [Eccetto IM-100CNE-HC] Serrare a mano il tubo di uscita (flessibile grigio, accessorio) sul raccordo R3/4 sul lato posteriore della macchina come indicato, facendo attenzione che la rondella in gomma sia posizionata in modo corretto, per garantire

### Modello raffreddato ad aria





un accoppiamento a tenuta stagna. Il tubo può essere tagliato alla lunghezza necessaria per adattarsi alla posizione dello scarico principale.

[IM-100CNE-HC]

Per mezzo di una chiave adatta, serrare gli attacco 3/4-3/4 (accessorio) al condotto Rc3/4, situati sul retro della macchina, come indicato. Per ottenere un accoppiamento a tenuta stagna, utilizzare le apposite guarnizioni e/o il nastro PTFE.

Nota: gli ermetici devono essere approvati e adatti all'uso con acqua potabile.

Serrare a mano il tubo di uscita (flessibile grigio, accessorio) sul attacco 3/4-3/4 come indicato, facendo attenzione che la rondella in gomma sia posizionata in modo corretto, per garantire un accoppiamento a tenuta stagna. Il tubo può essere tagliato alla lunghezza necessaria per adattarsi alla posizione dello scarico principale.

## [Modello raffreddato ad acqua]

\* Hoshizaki consiglia di collegare il condensatore raffreddato ad acqua ad un sistema dell'acqua a circolazione chiusa per mezzo di una torre, un refrigeratore dell'acqua o simile. L'alimentazione dell'acqua deve percorrere il gruppo valvola a sfera/vaschetta dei cascami.

\* Collegare un condensatore raffreddato ad acqua all'alimentazione principale dell'acqua potabile non condiziona le prestazioni della macchina, ma provoca nella maggior parte dei casi un elevato consumo (spreco) di una risorsa preziosa e pertanto non è consigliato.

\* Per assicurarsi che l'installazione sia corretta, rivolgersi ai servizi di un idraulico specializzato e autorizzato.

\* I collegamenti devono essere realizzati in modo corretto, in conformità alle norme in vigore a livello nazionale e locale.

## [a] Collegamenti standard conformi alle norme WRAS nel Regno Unito.

\* Nello scegliere una torre di raffreddamento, considerare i seguenti valori di picco del flusso di calore nel condensatore:

Modello IM-100/130W:	1165W
IM-240W:	5235 W

\* I condotti tra la torre di raffreddamento e la macchina devono avere un diametro minimo di 20 mm, in modo da ridurre la perdita di pressione, anche se i raccordi della macchina hanno un diametro di 13 mm.

\* La perdita di pressione nel sistema dell'acqua all'interno dell'unità equivale a 5-6 m, quando l'acqua di raffreddamento scorre alla portata di 4-5 l/min.

\* Scegliere una pompa di circolazione in base ai suddetti valori del flusso di calore.

\* Non utilizzare una pompa in cascata, altrimenti il regolatore d'acqua varia il flusso, arrestandolo durante il ciclo di sbrinamento.

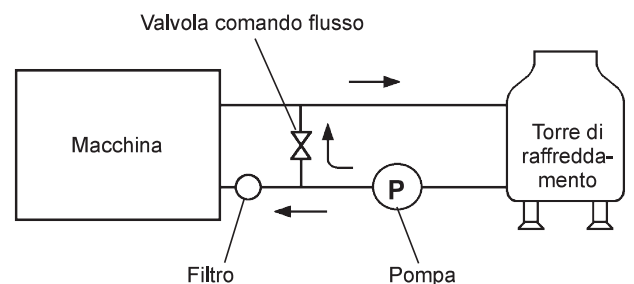
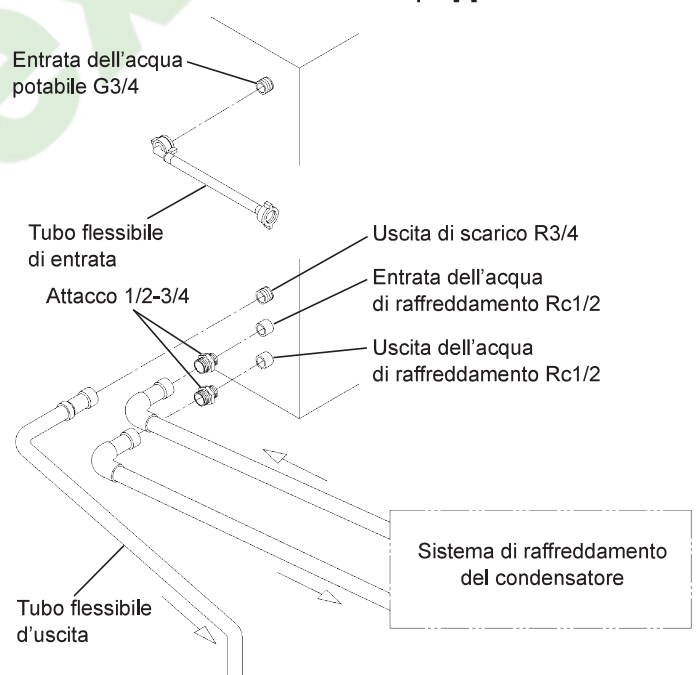
## [Connessioni macchina]

1) Collegare l'estremità a gomito del tubo di entrata (flessibile, accessorio) al raccordo G3/4, situato sul retro della macchina, come indicato, facendo attenzione che la rondella di tenuta in gomma sia posizionata in modo corretto. Serrare a mano quanto basta a evitare perdite.

2) Collegare al rubinetto dell'acqua l'altra estremità del tubo flessibile di entrata, facendo attenzione che la rondella sia posizionata correttamente prima di serrare a mano come descritto in precedenza.

Nota: qualora l'acqua venga filtrata o trattata, assicurarsi che solo la sezione macchina sia collegata all'alimentazione dell'acqua trattata e non il condensatore.

## Modello raffreddato ad acqua [a]



3) Collegare il tubo di uscita (flessibile grigio, accessorio) al raccordo R3/4, situato sul retro della macchina, come indicato, verificando che la rondella in gomma sia posizionata in modo corretto prima di serrare a mano l'accoppiamento. Il tubo può essere tagliato alla lunghezza necessaria per adattarsi alla posizione dello scarico principale.

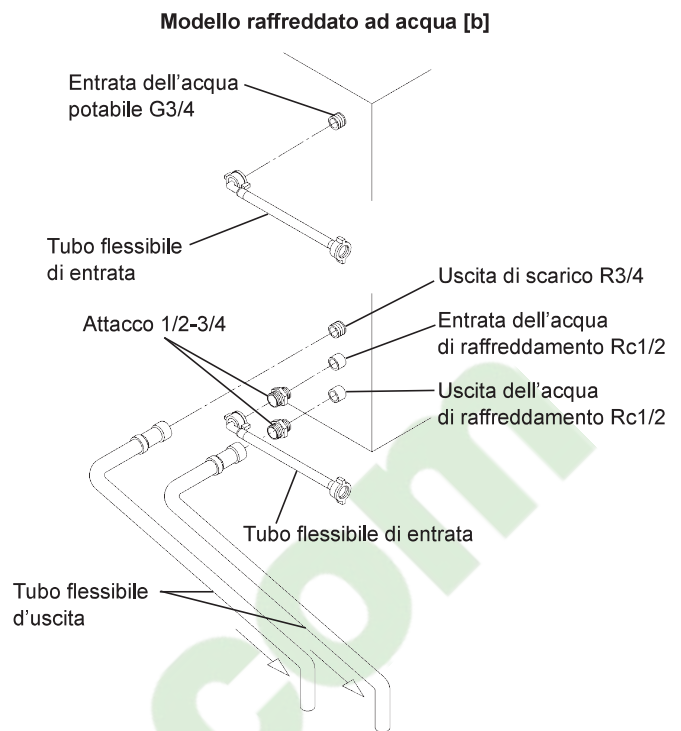
4) Per mezzo di una chiave adatta, serrare gli attacchi 1/2-3/4 (accessorio) ai condotti Rc1/2, situati sul retro della macchina, come indicato. Per ottenere un accoppiamento a tenuta stagna, utilizzare le apposite guarnizioni e/o il nastro PTFE.

Nota: gli ermetici devono essere approvati e adatti all'uso con acqua potabile.

5) Collegare il circuito di raffreddamento del condensatore all'estremità disponibile degli attacchi 1/2-3/4, come mostrato, per mezzo di un tubo rigido adatto.

## [b] Collegamenti conformi a norme diverse da quelle WRAS mediante tubi ausiliari

- 1) Procedere in base alle istruzioni da 1) a 4) della sezione [a].
- 2) Per i collegamenti del condensatore, utilizzare i tubi ausiliari in dotazione e realizzare gli stessi collegamenti come da 1) a 3) della sezione [a] con le parti disponibili degli attacchi 1/2-3/4, come mostrato.

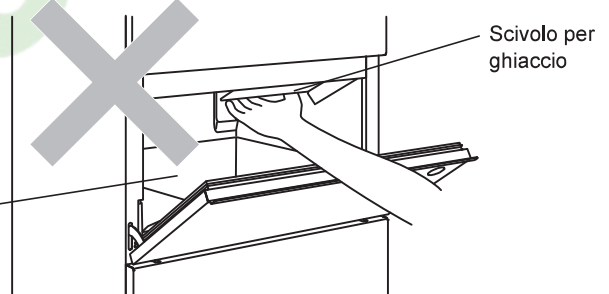


## II. ISTRUZIONI DI FUNZIONAMENTO

### ⚠ATTENZIONE

Non toccare la parte posteriore del deposito di raccolta cubetti con le mani o lo scivolo per ghiaccio sulla parte superiore del deposito di raccolta cubetti. Dalla macchina potrebbero cadere cubetti di ghiaccio, un blocco di ghiaccio duro si potrebbe rompere improvvisamente o il meccanismo di produzione cubetti potrebbe muoversi improvvisamente, provocando lesioni.

Deposito di raccolta cubetti



### AVVISO

Tutti i componenti sono preimpostati dalla casa costruttrice. Regolazioni non corrette possono provocare guasti.

Se la macchina viene spenta, per non danneggiare il compressore, attendere almeno 3 minuti per avviarla di nuovo.

### ⚠IGIENE

La macchina serve a produrre cubetti di ghiaccio commestibili. Per mantenere la macchina in buone condizioni igieniche, osservare le regole che seguono.

- \* Lavarsi le mani prima di prelevare i cubetti. Utilizzare il cucchiaino di presa in materiale plastico (in dotazione).
- \* Il deposito di raccolta cubetti è solo per i cubetti. Non conservare nient'altro nel deposito di raccolta e non utilizzare apparecchi elettrici nel deposito di raccolta.
- \* Pulire il deposito di raccolta cubetti prima dell'uso (vedi "III. 1. PULIZIA").
- \* Mantenere pulito il cucchiaino di presa. A tal fine, utilizzare un detergente neutro e sciacquare abbondantemente.
- \* Chiudere il portello dopo aver prelevato i cubetti, per evitare che nel deposito di raccolta cubetti entrino impurità, polvere o insetti.

## 1. AVVIO

L'installatore di regola imposta la macchina in modo da avviare il processo di produzione automatica di cubetti. Per garantire il funzionamento continuo, accertare che:

- \* Il rubinetto di alimentazione acqua sia aperto e
- \* la macchina sia collegata all'alimentazione.

## 2. PREPARATIVI PER IL'IMMAGAZZINAGGIOL DELLA MACCHINA A LUNGO TERMINE

### AVVISO

Questa macchina non funziona a temperature inferiori allo zero. Scaricare la macchina quando la temperatura dell'aria è al di sotto dello zero, al fine di prevenire eventuali danni al circuito di alimentazione dell'acqua.

### ⚠ IGIENE

Se la macchina rimane spenta per due o più giorni, scaricarla per evitare la contaminazione del circuito dell'acqua.

- 1) Staccare la spina o disinserire l'alimentazione della macchina.
- 2) Chiudere il rubinetto dell'alimentazione dell'acqua e rimuovere il tubo flessibile di entrata.
- 3) Togliere tutti i cubetti dal relativo deposito di raccolta cubetti, quindi pulirlo.
- 4) Richiedere l'intervento di personale tecnico qualificato per l'esecuzione dell'operazione di scarico.

## III. MANUTENZIONE

### 1. PULIZIA

#### ⚠ AVVERTENZA

Disinserire l'alimentazione elettrica della macchina, quindi eseguire operazioni di pulizia e di manutenzione.

La macchina non deve essere pulita mediante getto d'acqua.

#### ⚠ ATTENZIONE

Se si utilizza un detergente neutro o ipoclorito di sodio, leggere attentamente e comprendere le istruzioni fornite al fine di evitare possibili problemi di salute.

#### AVVISO

Almeno due volte l'anno far pulire e disinfettare il sistema dell'acqua della macchina da personale di servizio qualificato e controllare e pulire il condensatore almeno una volta all'anno.

Per evitare danni, non pulire le parti in plastica con acqua ad una temperatura superiore a 40°C o in lavastoviglie.

#### [a] Esterno della macchina e del deposito di raccolta cubetti

Per mezzo di un panno morbido e pulito, pulire la parte esterna della macchina almeno una volta alla settimana. Per eliminare grasso o impurità, utilizzare un panno inumidito con un detergente neutro.

#### [b] Pulizia e disinfezione giornaliera del cucchiaino di presa e della maniglia del deposito di raccolta cubetti.

- 1) Mescolare 1 litro d'acqua con 4 ml di soluzione di ipoclorito di sodio al 5,25% in un contenitore idoneo, oppure la soluzione disinfettante Hoshizaki consigliata, come da istruzioni.
- 2) Immergere il cucchiaino di presa nella soluzione per più di 3 minuti. Risciacquare abbondantemente e agitare per rimuovere il liquido in eccesso.

Nota: se si utilizza un panno per asciugare, si rischia una nuova contaminazione.

- 3) Utilizzare una soluzione detergente neutra per lavare la maniglia del deposito di raccolta. Sciacquare abbondantemente.

4) Inumidire un panno pulito con la soluzione disinfettante e pulire la maniglia. Per risciacquare e asciugare, utilizzare un panno pulito.

## [c] Pulizia e disinfezione dell'interno del deposito di raccolta cubetti (settimanale)

- 1) Aprire il portello del deposito di raccolta cubetti e togliere tutti i cubetti di ghiaccio.
- 2) Lavare la camera del deposito con una soluzione detergente neutra e non abrasiva. Sciacquare abbondantemente.
- 3) Inumidire un panno pulito con la soluzione detergente neutra, quindi pulire entrambi i lati della cerniera e la superficie interna del portello. Eliminare la soluzione detergente con un panno pulito e umido.
- 4) Mescolare 5 litri d'acqua con 18 ml di soluzione di ipoclorito di sodio al 5,25% in un contenitore idoneo, oppure la soluzione disinfettante Hoshizaki consigliata, come da istruzioni.
- 5) Inumidire una spugna pulita o un panno pulito con la soluzione e pulire la camera, il portello e la cerniera.
- 6) La soluzione rimanente può essere utilizzata per disinfettare gli utensili.

Nota: dopo la disinfezione non strofinare né risciacquare, ma lasciare asciugare all'aria.

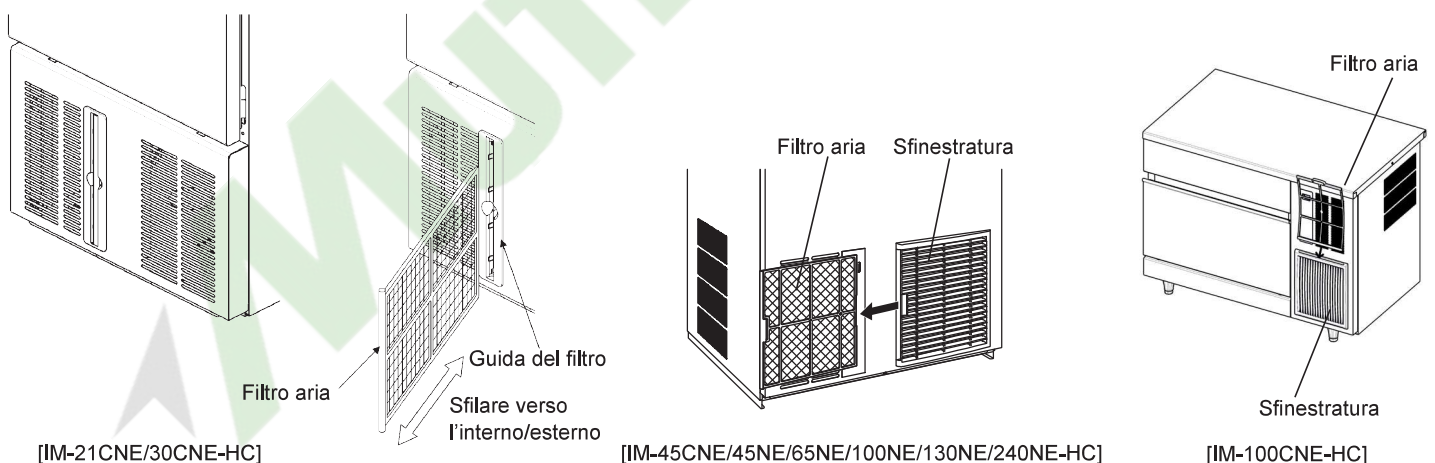
## [d] Filtro aria (solo nei modelli raffreddati ad aria)

I filtri dell'aria a maglia di plastica servono a filtrare l'aria dalle impurità e dalla polvere, proteggendo così il condensatore da eventuali intasamenti. Con l'intasarsi dei filtri, le prestazioni della macchina si riducono. Smontare i filtri dell'aria e pulirli almeno due volte al mese:

- 1) Sfilare il filtro dell'aria dalla guida del filtro [IM-21CNE/30CNE-HC] o dalla sfinestratura [IM-45CNE/45NE/65NE/100CNE/100NE/130NE/240NE-HC].
- 2) Pulire il filtro dell'aria per mezzo di un aspirapolvere. In caso di filtro dell'aria particolarmente intasato, per lavarlo, utilizzare acqua calda assieme ad una soluzione detergente neutra.
- 3) Risciacquare e asciugare con cura il filtro dell'aria.

### AVVISO

Al termine della pulizia, assicurarsi di risistemare il filtro dell'aria nella giusta posizione.



## 2. PRIMA DI RIVOLGERSI ALL'ASSISTENZA

### ⚠ AVVERTENZA

Non danneggiare il circuito di refrigerazione.

### [a] Indicazione codice guasto

### ⚠ AVVERTENZA

Se sul display viene indicato il codice errore "E", è possibile che sia stata riscontrata una perdita di gas. Non toccare l'unità. Ventilare l'area e chiamare immediatamente l'assistenza.

Codice	Possibile causa
E1	Guasto congelamento.
E2	Guasto sbrinamento.
EE	Altro guasto.
EF	Il sensore di gas (se fornito) ha riscontrato una perdita di gas.

### [b] Nessuna indicazione di codice guasto

Se la macchina non funziona correttamente o non funziona affatto e sul display non compare nessun codice guasto, prima di rivolgersi all'assistenza controllare che:

- \* la macchina riceva l'energia elettrica.
- \* l'acqua sia aperta.
- \* il filtro dell'aria sia pulito (modello raffreddato ad aria).
- \* Il circuito dell'acqua di raffreddamento ha un flusso adeguato (modello raffreddato ad acqua).

Per ulteriori assistenza e consulenza, contattare il locale centro di assistenza Hoshizaki.

### [c] Indicazione codice avviso

Se viene visualizzato il codice avviso A1 o A2, è probabile che il sensore del gas sia difettoso. Contattare il locale centro di assistenza Hoshizaki.

## 3. SMALTIMENTO

Osservare le normative locali in materia di smaltimento della macchina e del gas refrigerante. Prima di smaltire la macchina, rimuovere il portello per evitare che i bambini vi possano rimanere intrappolati.

Smaltimento corretto del prodotto:

Questo simbolo indica che il prodotto non deve essere smaltito con altri rifiuti domestici all'interno dell'UE. Per evitare possibili danni all'ambiente o alla salute derivanti dallo smaltimento incontrollato dei rifiuti, riciclare il prodotto in modo responsabile per promuovere il riutilizzo sostenibile delle risorse materiali. Per restituire la macchina usata, utilizzare i sistemi di restituzione e raccolta o contattare il rivenditore presso il quale è stato acquistato il prodotto. Il prodotto sarà ritirato in vista di un riciclaggio sicuro per l'ambiente.



## 4. GARANZIA

Hoshizaki garantisce al proprietario o utente originario che tutti i prodotti con marchio Hoshizaki sono privi di difetti di costruzione e/o inerenti ai materiali per l'intera durata del "periodo di garanzia". La garanzia è valida per due anni dalla data di installazione. La responsabilità di Hoshizaki secondo le condizioni della garanzia è limitata ed esclude la manutenzione di routine, la pulizia, la manutenzione essenziale e/o le riparazioni che si rendano necessarie in conseguenza di uso scorretto e di installazione non conforme alle indicazioni Hoshizaki.

Le riparazioni in garanzia devono essere eseguite da un rivenditore o da un centro di assistenza autorizzato Hoshizaki, che utilizzino componenti originali Hoshizaki.

Per ottenere informazioni complete in merito alla garanzia e al centro di assistenza autorizzato, si prega di contattare il proprio rivenditore/fornitore di fiducia, oppure l'ufficio assistenza Hoshizaki più vicino.

## Europa, Medio Oriente, Africa

Hoshizaki UK - Regno Unito, Irlanda  
 TEL: +44 845 456 0585  
 FAX: +44 132 283 8331  
 uksales@hoshizaki.co.uk

Hoshizaki Middle East - Medio Oriente  
 TEL: +971 48 876 612  
 FAX: +971 48 876 613  
 sales@hoshizaki.ae

Hoshizaki Deutschland - Germania, Svizzera, Austria  
 TEL: +49 2154 92810  
 FAX: +49 2154 928128  
 info@hoshizaki.de

Hoshizaki Benelux - Paesi Bassi, Belgio, Lussemburgo  
 TEL: +31 85 018 83 70  
 info@hoshizaki.nl

Hoshizaki France - Francia  
 TEL: +33 1 48 63 93 80  
 FAX: +33 1 48 63 93 88  
 info@hoshizaki.fr

Hoshizaki Europe B.V. - tutti gli altri paesi di Europa e Africa  
 TEL: +31 20 6918499  
 FAX: +31 20 6918768  
 sales@hoshizaki.nl

Hoshizaki Iberia - Spagna, Portogallo  
 TEL: +34 93 478 09 52  
 FAX: +34 93 478 08 00  
 info@hoshizaki.es

## Asia, Oceania

Hoshizaki Singapore  
 TEL: +65 6225 2612  
 FAX: +65 6225 3219

Hoshizaki Hong Kong  
 TEL: +852 2866-2108  
 FAX: +852 2866-2109

Hoshizaki Taiwan  
 TEL: +886 2 2706 8818  
 FAX: +886 2 2708 7999

Hoshizaki Lancer  
 TEL: +61 8 8268 1388  
 FAX: +61 8 8268 1978

## SPECIFICHE

Modello	IM-21CNE-HC	IM-30CNE-HC	IM-45CNE-HC
Tipo	Raffreddamento ad aria, cubetto di ghiaccio	Raffreddamento ad aria, cubetto di ghiaccio	Raffreddamento ad aria, cubetto di ghiaccio
Alimentazione elettrica	Monofase 220 - 240V 50Hz	Monofase 220 - 240V 50Hz	Monofase 220 - 240V 50Hz
Consumi elettrici	225 W	230 W	275 W
Produzione cubetti ogni 24 ore	23 kg (5 mm) / 25 kg (15 mm) (ambiente 10°C, acqua 10°C)	25 kg (5 mm) / 30 kg (15 mm) (ambiente 10°C, acqua 10°C)	40 kg (5 mm) / 46 kg (15 mm) (ambiente 10°C, acqua 10°C)
Dimensioni	398 mm (largh.) x 451 mm (prof.) x 695 mm (alt.)	398 mm (largh.) x 451 mm (prof.) x 695 mm (alt.)	633 mm (largh.) x 511 mm (prof.) x 690 mm (alt.)
Refrigerante	R290, 55 g	R290, 65 g	R290, 70 g
Agente espandente schiuma isolante	privo di HFC	privo di HFC	privo di HFC
Peso	Netto: 34 kg (Lordo: 39 kg)	Netto: 34 kg (Lordo: 39 kg)	Netto: 45 kg (Lordo: 55 kg)
Temp. ambiente	1 - 40°C	1 - 40°C	1 - 40°C
Temp. alimentazione acqua	5 - 35°C	5 - 35°C	5 - 35°C
Pressione alimentazione acqua	0,07 - 0,8 MPa (0,7 - 8 bar)	0,07 - 0,8 MPa (0,7 - 8 bar)	0,07 - 0,8 MPa (0,7 - 8 bar)
Range di tensione	Tensione nominale ± 6%	Tensione nominale ± 6%	Tensione nominale ± 6%

# ITALIANO

Modello	IM-45NE-HC	IM-65NE-HC	IM-100CNE-HC
Tipo	Raffreddamento ad aria, cubetto di ghiaccio	Raffreddamento ad aria, cubetto di ghiaccio	Raffreddamento ad aria, cubetto di ghiaccio
Alimentazione elettrica	Monofase 220 - 240V 50Hz	Monofase 220 - 240V 50Hz	Monofase 220 - 240V 50Hz
Consumi elettrici	275 W	320 W	500 W
Produzione cubetti ogni 24 ore	40 kg (5 mm) / 46 kg (15 mm) (ambiente 10°C, acqua 10°C)	52 kg (5 mm) / 62 kg (15 mm) (ambiente 10°C, acqua 10°C)	92 kg (5 mm) / 105 kg (15 mm) (ambiente 10°C, acqua 10°C)
Dimensioni	503 mm (largh.) x 456 mm (prof.) x 840 mm (alt.)	633 mm (largh.) x 506 mm (prof.) x 840 mm (alt.)	1004 mm (largh.) x 600 mm (prof.) x 800 mm (alt.)
Refrigerante	R290, 70 g	R290, 110 g	R290, 125 g
Agente espandente schiuma isolante	privo di HFC	privo di HFC	privo di HFC
Peso	Netto: 44 kg (Lordo: 50 kg)	Netto: 50 kg (Lordo: 60 kg)	Netto: 77 kg (Lordo: 88 kg)
Temp. ambiente	1 - 40°C	1 - 40°C	1 - 40°C
Temp. alimentazione acqua	5 - 35°C	5 - 35°C	5 - 35°C
Pressione alimentazione acqua	0,07 - 0,8 MPa (0,7 - 8 bar)	0,07 - 0,8 MPa (0,7 - 8 bar)	0,07 - 0,8 MPa (0,7 - 8 bar)
Range di tensione	Tensione nominale $\pm$ 6%	Tensione nominale $\pm$ 6%	Tensione nominale $\pm$ 6%

Modello	IM-100NE-HC	IM-130NE-HC	IM-240NE-HC
Tipo	Raffreddamento ad aria, cubetto di ghiaccio	Raffreddamento ad aria, cubetto di ghiaccio	Raffreddamento ad aria, cubetto di ghiaccio
Alimentazione elettrica	Monofase 220 - 240V 50Hz	Monofase 220 - 240V 50Hz	Monofase 220 - 240V 50Hz
Consumi elettrici	555 W	615 W	930 W
Produzione cubetti ogni 24 ore	92 kg (5 mm) / 105 kg (15 mm) (ambiente 10°C, acqua 10°C)	110 kg (5 mm) / 120 kg (15 mm) (ambiente 10°C, acqua 10°C)	195 kg (5 mm) / 210 kg (15 mm) (ambiente 10°C, acqua 10°C)
Dimensioni	704 mm (largh.) x 506 mm (prof.) x 1200 mm (alt.)	704 mm (largh.) x 506 mm (prof.) x 1200 mm (alt.)	704 mm (largh.) x 665 mm (prof.) x 1510 mm (alt.)
Refrigerante	R290, 120 g	R290, 120 g	R290, 147 g
Agente espandente schiuma isolante	privo di HFC	privo di HFC	privo di HFC
Peso	Netto: 76 kg (Lordo: 84 kg)	Netto: 76 kg (Lordo: 84 kg)	Netto: 111 kg (Lordo: 122 kg)
Temp. ambiente	1 - 40°C	1 - 40°C	1 - 40°C
Temp. alimentazione acqua	5 - 35°C	5 - 35°C	5 - 35°C
Pressione alimentazione acqua	0,07 - 0,8 MPa (0,7 - 8 bar)	0,07 - 0,8 MPa (0,7 - 8 bar)	0,07 - 0,8 MPa (0,7 - 8 bar)
Range di tensione	Tensione nominale $\pm$ 6%	Tensione nominale $\pm$ 6%	Tensione nominale $\pm$ 6%

Modello	IM-100WNE-HC	IM-130WNE-HC	IM-240WNE-HC
Tipo	Raffreddamento ad acqua, cubetto di ghiaccio	Raffreddamento ad acqua, cubetto di ghiaccio	Raffreddamento ad acqua, cubetto di ghiaccio
Alimentazione elettrica	Monofase 220 - 240V 50Hz	Monofase 220 - 240V 50Hz	Monofase 220 - 240V 50Hz
Consumi elettrici	465 W	550 W	810 W
Produzione cubetti ogni 24 ore	80 kg (5 mm) / 90 kg (15 mm) (ambiente 10°C, acqua 10°C)	100 kg (5 mm) / 110 kg (15 mm) (ambiente 10°C, acqua 10°C)	190 kg (5 mm) / 205 kg (15 mm) (ambiente 10°C, acqua 10°C)
Dimensioni	704 mm (largh.) x 506 mm (prof.) x 1200 mm (alt.)	704 mm (largh.) x 506 mm (prof.) x 1200 mm (alt.)	704 mm (largh.) x 665 mm (prof.) x 1510 mm (alt.)
Refrigerante	R290, 147 g	R290, 147 g	R290, 147 g
Agente espandente schiuma isolante	privo di HFC	privo di HFC	privo di HFC
Peso	Netto: 74 kg (Lordo: 82 kg)	Netto: 74 kg (Lordo: 82 kg)	Netto: 120 kg (Lordo: 131 kg)
Temp. ambiente	1 - 40°C	1 - 40°C	1 - 40°C
Temp. alimentazione acqua	5 - 35°C	5 - 35°C	5 - 35°C
Pressione alimentazione acqua	0,07 - 0,8 MPa (0,7 - 8 bar)	0,07 - 0,8 MPa (0,7 - 8 bar)	0,07 - 0,8 MPa (0,7 - 8 bar)
Range di tensione	Tensione nominale $\pm$ 6%	Tensione nominale $\pm$ 6%	Tensione nominale $\pm$ 6%

Nota: le specifiche riportate sopra si riferiscono ai modelli rappresentativi.